



Note: Document originally drafted in the English language.  
 注释：文件最初用英语起草。

**Product Description**

The B-145W housing is designed for Varex Imaging rotating Anode inserts having 71 mm (3 inch) diameter targets.

IEC Classification ..... Class 1

Weight, Approximate:  
 Housing & Tube ..... 15.74 kg (34.6 lbs)

Mounting ..... Port

Stator Cord ..... 3 Feet (0.9m) (Optional)

Cable Receptacles ..... Claymount Mini 75

**产品说明**

B-145W 管套适用于具有 71 mm (3 in.) 直径靶盘的万睿视影像旋转阳极管芯。

IEC 分级 ..... 1 类

近似重量：  
 管与管套： ..... 15.74 kg (34.6 lbs)

安装 ..... 端口

定子电缆 ..... 0.9m (3 ft)

电缆插座 ..... Claymount Mini 75

**Product Description**

Maximum Potential Difference ..... 125 kV  
 Cathode to Ground ..... 63 kV  
 Anode to Ground ..... 63 kV

Maximum X-Ray Tube Assembly Heat Content  
 ..... 500 kJ (675 kHU)

Maximum Continuous Heat Dissipation  
 (Maximum Housing Temperature 78°C)  
 without Heat Exchanger ..... 140 W (189 HU/sec)  
 with Heat Exchanger ..... 500 W (675 HU/sec)  
 (3 liters/min, 20°C - 40°C, 50/50 glycol/water)

X-Ray Tube Assembly  
 Permanent Filtration .... 0.7mm Al/75 kV IEC 60522

Loading Factors for Leakage Radiation  
 ..... 125 kV, 4.0 mA

Thermal Switch ..... Normally Closed  
 7A @ 120 Vac or 30 Vdc Max.  
 Open ..... 85°C ±3.9°C (185°F ±7°F)

Recirculation Pump ..... 12 VAC, 50/60 Hz, 0.5 A

X-Ray Tube Assembly (Complies to) ... IEC 60601-2-28

**产品说明**

最大电位差值 ..... 125 kV  
 阴极到地 ..... 63 kV  
 阳极到地 ..... 63 kV

最大 X 射线管组件热含量 ..... 500 kJ (675 kUC)

标称持续输入功率  
 没有热转换器 ..... 140 W (189 UC/sec)  
 与热转换器 ..... 500 W (675 UC/sec)  
 (3 liters/min, 20°C - 40°C, 50/50 乙二醇/水)

最大管套温度 ..... 78°C

X 射线管组件  
 固有滤过 ..... 0.7mm Al/75 kV IEC 60522/1999

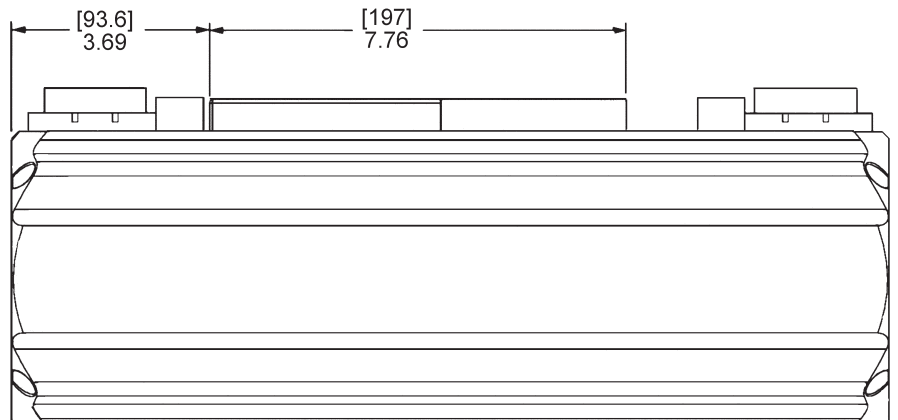
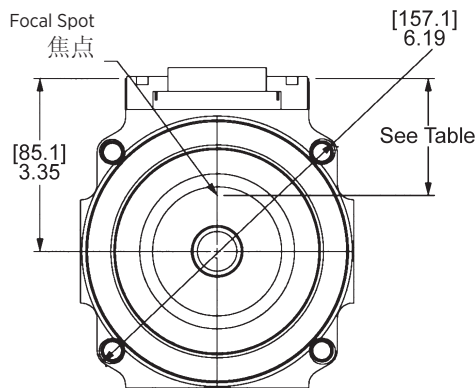
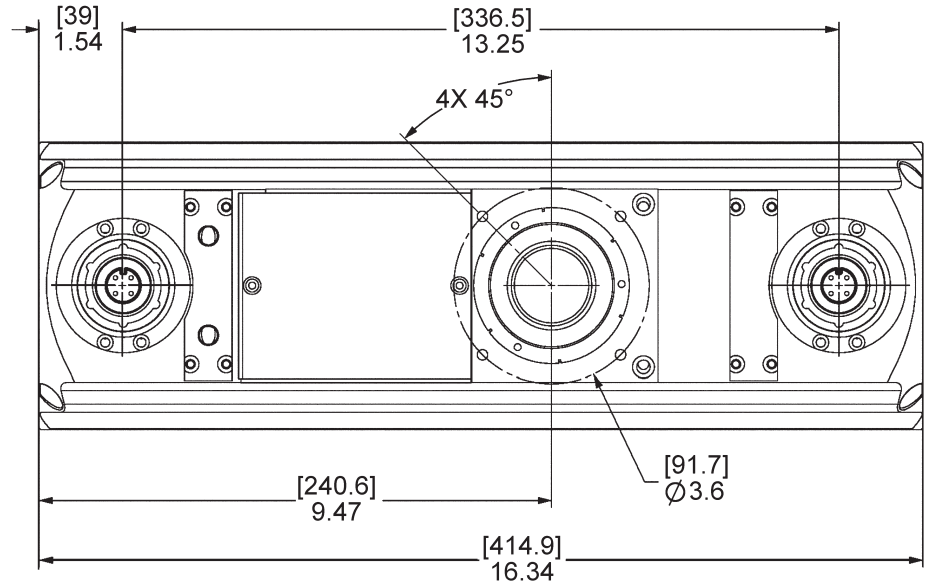
泄漏辐射测试条件 ..... 125 kV, 4.0 mA

热控开关 ..... 正常情况下为闭合状态  
 7A @ 120 Vca 或 30 Vdc Max.  
 打开 ..... 85°C ±3.9°C (185°F ±7°F)

循环泵 ..... 12 VAC, 50/60 Hz, 0.5 A

X 射线管组件 (符合) ..... IEC 60601-2-28

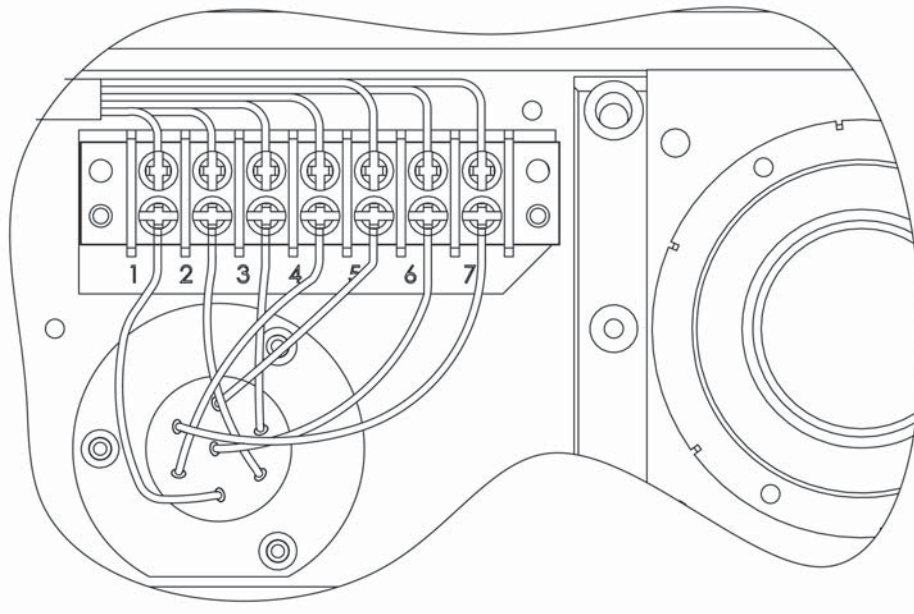
Dimensions are for Reference only  
维度是供仅供参考



Insert 管芯	Focal Spot to Port Distance 焦点与端口的距离
3" Series	2.28" (57.8mm)
Rad Series	2.15" (54.5mm)

**Note:** Dimensions in [mm] Inches  
注释: 尺寸 (英寸)

### Stator - Wiring Diagram 定子 - 连线图



Wire Color 导线颜色	Description 描述
1 White 白色	Common 公共
2 Black 黑色	Phase 相
3 Green 绿色	Phase Shift 相移
4 Red 红色	Thermal Switch 热控开关
5 Orange 橘色	Thermal Switch 热控开关
6 Blue 蓝色	Pump 泵
7 Brown 布朗	Pump 泵

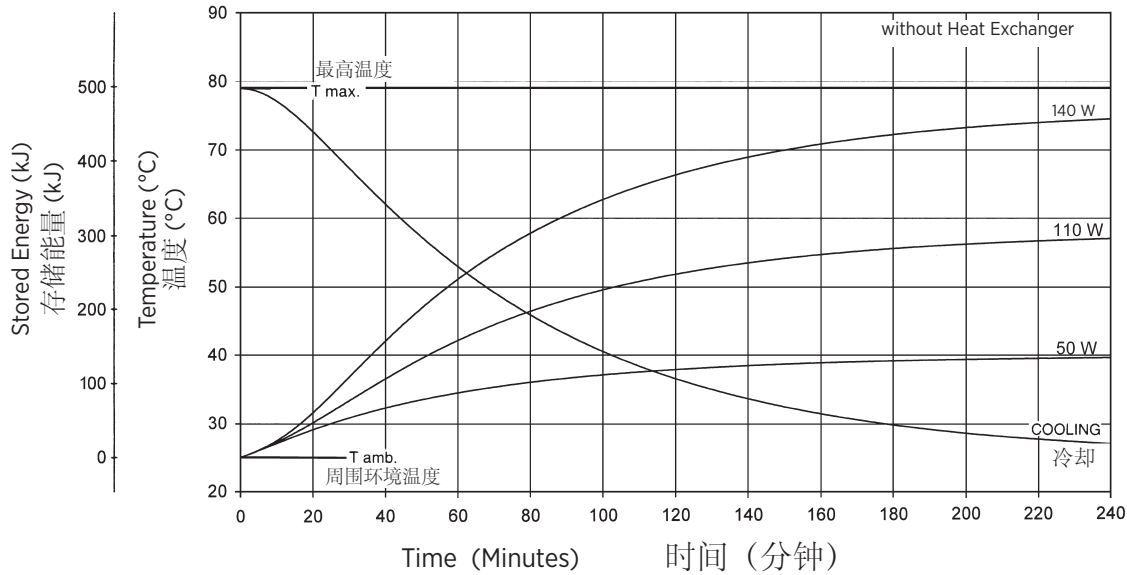
"R" Stators	"R" 定子	
Black - White	黑/白	16 Ω
Black - Green	黑/绿	66 Ω
Green - White	绿/白	50 Ω
180 Hz Cap	180 Hz 电容	6 μF
60 Hz Cap	60 Hz 电容	30 μF

Stator Drive Frequency 定子驱动频率	RPM
50 Hz	2800 - 3000
60 Hz	3400 - 3600

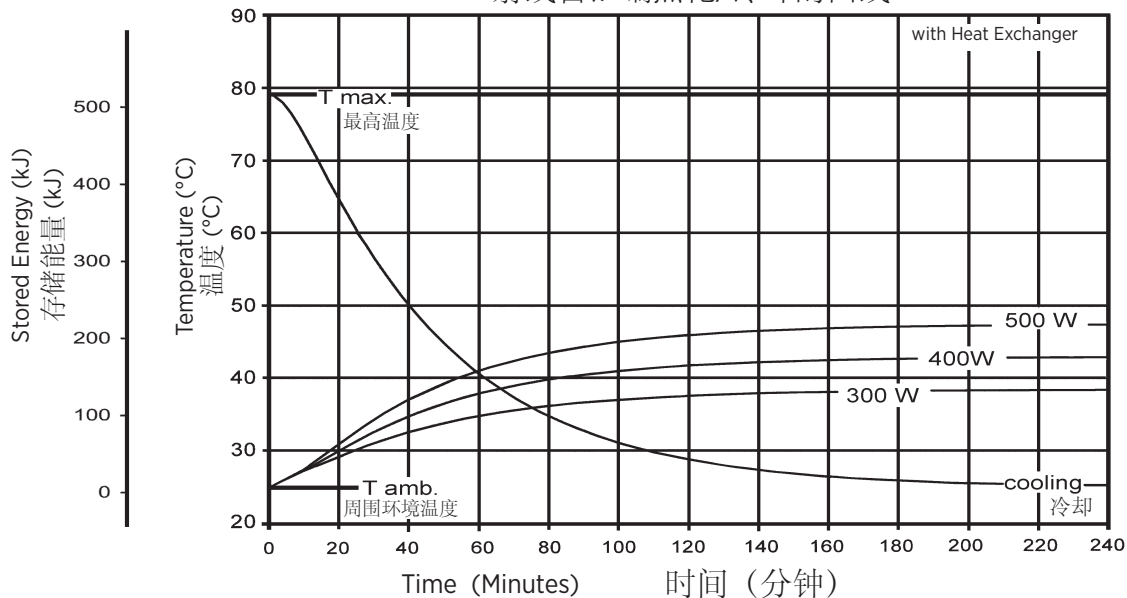
**Stator Power:** 50/60 Hz Only  
Time to full speed of the anode is a function of the power rating of the "starter" and the weight / diameter of the anode. Time to full speed of 3 inch (71mm) anode series tubes is between 0.5 and 1.0 seconds.

**定子功率:** 50/60 Hz Only  
阳极达到全速的时间是“起启动器”的额定功率以及阳极重量和直径的函数。71 mm (3in.) 阳极系列管达到全速的时间在 0.5 到 1.0 秒之间。

## X-Ray Tube Assembly Heating and Cooling Curves X 射线管汇编热化/冷却的曲线



## X-Ray Tube Assembly Heating and Cooling Curves X 射线管汇编热化/冷却的曲线



**Note:**

Heat inputs into housing include tube power, filament power, and stator power. Heating curves based on no restrictions of natural convection around tube housing assembly.

Cooling performance measured with 50% propylene glycol and water at 3 liters per minute. Use an inhibitor to prevent corrosion of aluminum.

**注释:**

向管套的热量输入包括管功率、灯丝功率和定子功率。加热曲线以管套组件周围无自然对流的限制为根据。

测量冷却性能时，每分钟用到3升50%的丙二醇和水。为防止铝腐蚀，建议采用抑制剂。

