



Note: Document originally drafted in the English language.
注释：文件最初用英语起草。

Product Description

The MX100-09™ housing is used for rotating anode inserts having 100mm (4 inch) diameter targets.

IEC Classification Class 1

Weight, Approximate:

Housing & Tube 26.3 kg (58 lbs)

Mounting Housing Bosses

™All trademarks property of the respective manufacturer.

产品说明

MX100-09™ 管套适用于具有 100 mm (4.0 in.) 直径靶盘的旋转阳极管芯。

IEC 分级： 1 类

近似重量：

管和管套： 26.3 kg (58 lbs)

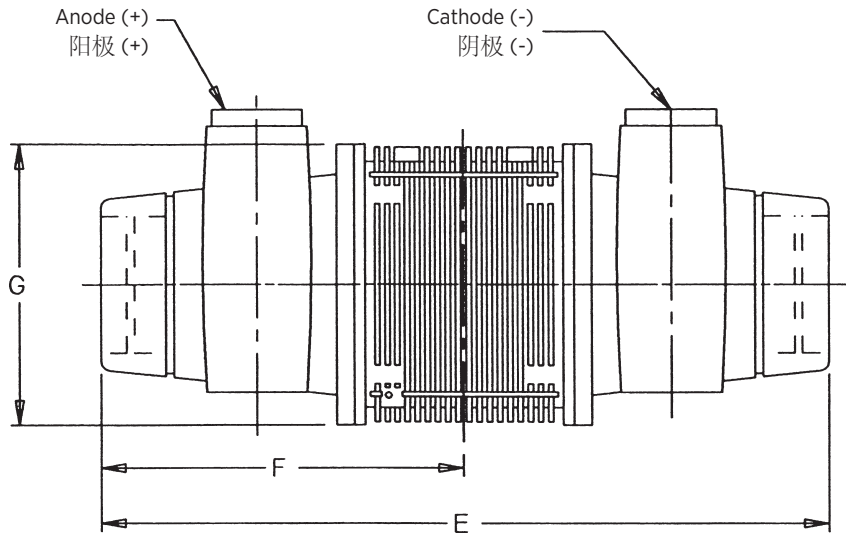
安装 管套轮毂

™ 所有商标均属于各自的生产商

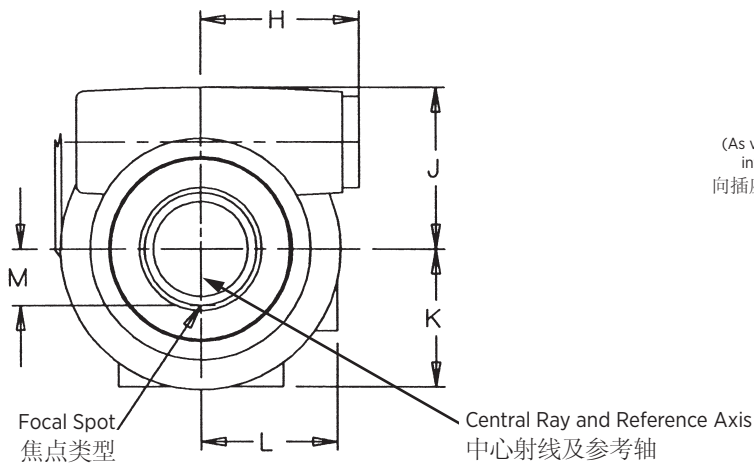
<u>Product Description</u>	
Maximum Potential Difference	150 kV
Cathode to Ground	82 kV
Anode to Ground	82 kV
Grid to Cathode (If Applicable)	-4 kV
Grid Control Voltages:	
Typical Bias Voltage for Cutoff at 150 kV	-3600 Vdc
Grid Voltage for Exposure	0 Vdc
Maximum X-Ray Tube Assembly Heat Content	
.....	1,110 kJ (1,554 kHU)
Maximum Continuous Heat Dissipation	
with Air Circulator	740 W (1,036 HU/sec)
Maximum Housing Temperature	
.....	85°C
X-Ray Tube Assembly	
Permanent Filtration	0.7mm Al IEC 60522
Loading Factors for Leakage Radiation	
.....	150 kV, 4.0 mA
Temperature Limits for Storage and Transport	
.....	-9°C to + 70°C
Humidity	10% to 90%
Atmospheric Pressure Range	70 kPa to 106 kPa
Pressure Switch	
.....	Normally Closed
.....	1A @ 125 Vac or 30 Vdc
Open	5 PSIG (±1.0 PSIG)
Close	4 PSIG (±1.0 PSIG)
X-Ray Tube Assembly (Complies to)	
.....	IEC 60601-2-28

<u>产品说明</u>	
最大电位差值	150 kV
阴极到地	82 kV
阳极到地	82 kV
栅极与阴极的电压如果适用	-4 kV
栅极控制电压:	
150 kV 切断时典型偏压	-3600 Vdc
曝光的栅极电压	0 Vdc
X 射线管组件最大热含量 ...	
.....	1,110 kJ (1,554 kHU)
风扇的最大连续散热	
.....	740 W (1,036 HU/sec)
最大管套温度	
.....	85°C
X 射线管组件:	
固有滤过	0.7mm Al IEC 60522
泄漏辐射测试条件:	
.....	150 kV, 4.0 mA
存储与运输温度限值	
.....	-9°C 到 +70°C
湿度	10% 到 90%
大气压范围	70 kPa - 106 kPa
压力开关:	
.....	正常闭合
.....	1A @ 125 Vac 或 30 Vdc
打开	5 PSIG (±1.0 PSIG)
关闭	4 PSIG (±1.0 PSIG)
X 射线管组件 (符合)	
.....	IEC 60601-2-28

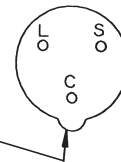
Dimensions are for reference only
维度是供仅参考



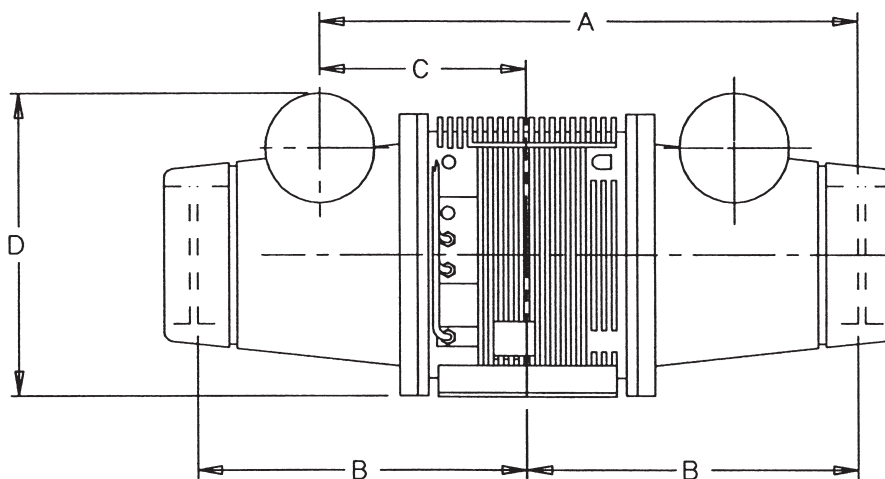
尺寸数据		
	英寸	毫米
A	11.76	298.7
B	9.40	238.8
C	5.89	148.5
D	8.60	218.4
E	20.75	527.1
F	10.38	263.7
G	8.00	203.2
H	4.52	114.8
J	4.60	116.8
K	3.91	99.3
L	3.90	99.1
M	1.60	40.6



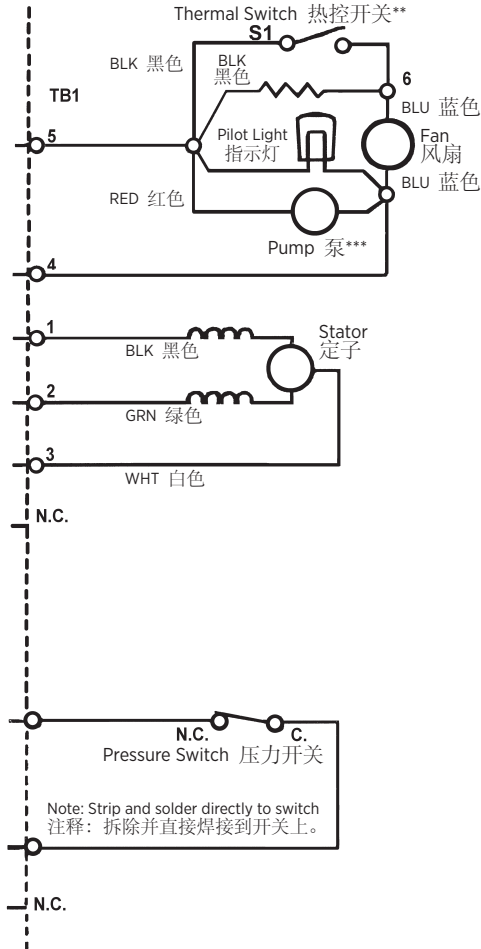
(As viewed looking down
into the receptacle)
向插座内俯视进行查看



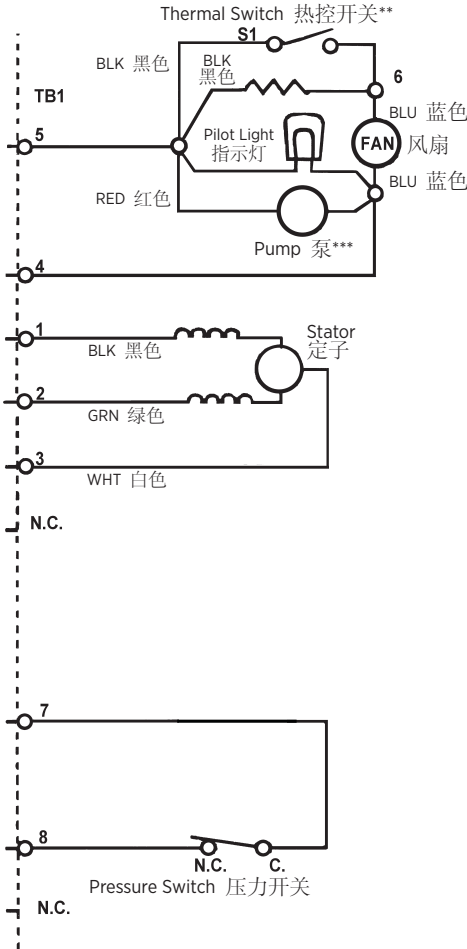
Receptacle Key
插座键



6 Position Terminal Strip 6 定位终端条



8 Position Terminal Strip 8 定位终端条



Stator Drive Frequency 定子驱动频率	RPM
50/60 Hz 150/180 Hz	2800/3400 ±10% 8200/9600 ±10%

Note:
Check wiring of tube and change as necessary to make it look like above diagram.
**Used on tubes with 2 speed fans
***May not be present

注释:
检查射线管的配线, 并根据需要进行更改以使其看起来像上面的图解。
**在配有二个高速风扇的射线管上使用
***可能不存在

Stator Coil Resistance: 23 / 23 / 46 Ω

Voltage:	23 / 23 / 46 Ω	
	Start	Run
60Hz	230 VAC	75 VAC
180Hz	400 VAC	85 VAC

Amperes:	23 / 23 / 46 Ω	
	Start	Run
60 Hz	6.3 A	1.5 A
180 Hz	10.3 A	2.4 A

Time to Full Speed:

60 Hz	0-3000 RPM	.98 sec.
180 Hz	0-9000 RPM	1.33 sec.

Brake Voltage 106 VDC

Low Speed Time	2 sec.
High Speed Time	3.5 sec.

定子线圈电阻: 23 / 23 / 46 Ω

电压:	23 / 23 / 46 Ω	
	启动	运行
60Hz	230 VAC	75 VAC
180Hz	400 VAC	85 VAC

安培:	23 / 23 / 46 Ω	
	启动	运行
60 Hz	6.3 A	1.5 A
180 Hz	10.3 A	2.4 A

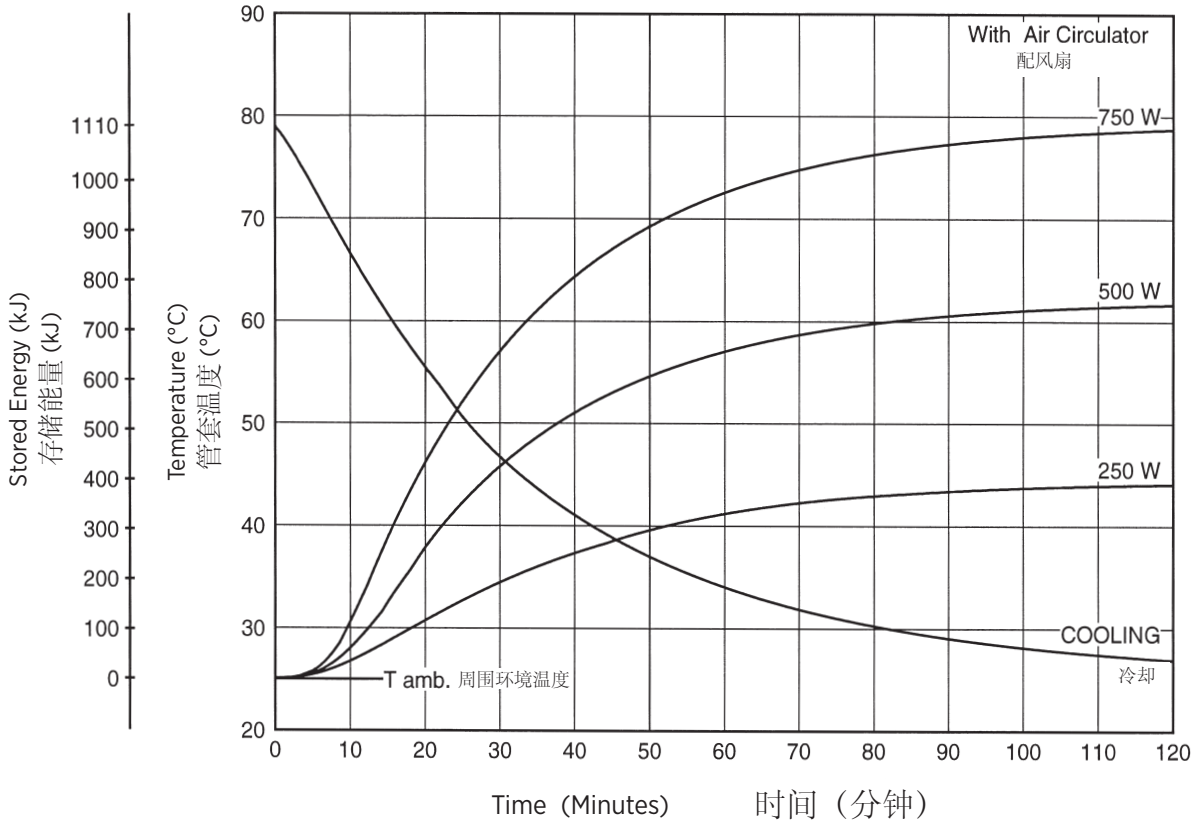
达到全速的时间:

60 Hz	0-3000 RPM	.98 sec.
180 Hz	0-9000 RPM	1.33 sec.

制动电压 106 VDC

低速时间	2 秒
高速时间	3.5 秒

Tube Housing Assembly Heating and Cooling
管套组件加热与冷却



Note:

1. Heat inputs into housing include tube power, filament power, and stator power.
2. Heating curves based on no restrictions of natural convection around tube housing assembly.

注释:

1. 向管套的热量输入包括管功率、灯丝功率和定子功率。
2. 加热曲线以管套组件周围无自然对流的限制为根据。

