



Note: Document originally drafted in the English language.
注释：文件最初用英语起草。

Product Description

The B-283H housing is designed for Varex Imaging rotating Anode inserts having 133 mm (5.253 inch) diameter targets.

IEC Classification Class 1

Weight, Approximate:
Housing and Tube 40 kg (88.2 lbs)

Mounting Port
(using metric M8 x 1.25 screws)

产品说明

B-283H 管套适用于具有 133 mm (5.253 in.) 直径靶盘的万睿视影像旋转阳极管芯。

IEC 分级： 1 类

近似重量：
管与管套： 40 kg (88.2 lbs)

安装 端口
(使用米制 M8 x 1.25 螺钉)

Product Description

Nominal X-ray Tube Voltage 125 kV
 Maximum Cathode to Ground 63 kV
 Maximum Anode to Ground 63 kV
 Grid to Cathode (If applicable) -3 kV

Grid Control Voltages

Typical Bias Voltage for Cutoff at 150 kV -3000 Vdc
 Grid Voltage for Exposure 0 Vdc

Maximum X-Ray Tube Assembly Heat Content
 1,800 kJ (2,520 kHU)

Maximum Continuous Heat Dissipation
 (max. housing temperature 78°C)
 with HE100 1,200 W (1,680 HU/sec)

X-Ray Tube Assembly

Permanent Filtration 1.0 mm Al IEC 60522

Loading Factors for Leakage Radiation
 125 kV, 22 mA

Ambient Air Temperature Limits for Operation
 5°C to 40°C

Temperature Limits for Storage and Transport
 -20°C to +75°C

Humidity +10% to +90%

Atmospheric Pressure Range 70 kPa to 106 kPa

Safety Devices

Thermal Switch Normally Closed Contact
 500mA @ 50VDC or 100mA @ 120VAC

Thermal Switch #1

Open 85°C ±3.9°C (185°F ±7°F)

Thermal Switch #2

Open 70°C ±3.9°C (158°F ±7°F)

产品说明

X 射线管的标称管电压 125 kV
 阴极与地线的最高电压 63 kV
 阳极与地线的最高电压 63 kV
 栅极与阴极的电压(如果适用) -3 kV

栅极控制电压

150 kV切断时的典型偏压 -3000 Vdc
 曝光的栅极电压 0 Vdc

最大 X 射线管组件热容量

..... 1,800 kJ (2,520 kHU)

最大连续散热

(最大管套温度 78°C)
 配 HE-100 1,200 W (1,680 HU/sec)

X 射线管组件

固有滤过 1.0 mm Al IEC 60522

泄漏辐射测试条件 125 kV, 22 mA

环境气温工作限值 5°C 到 40°C

存储与运输温度限值 -20°C 到 +75°C

湿度 +10% 到 +90%

大气压范围 70 kPa 到 106 kPa

安全性装置

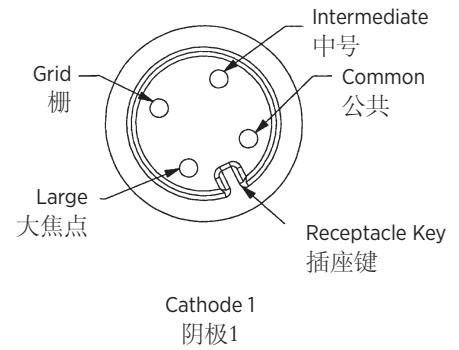
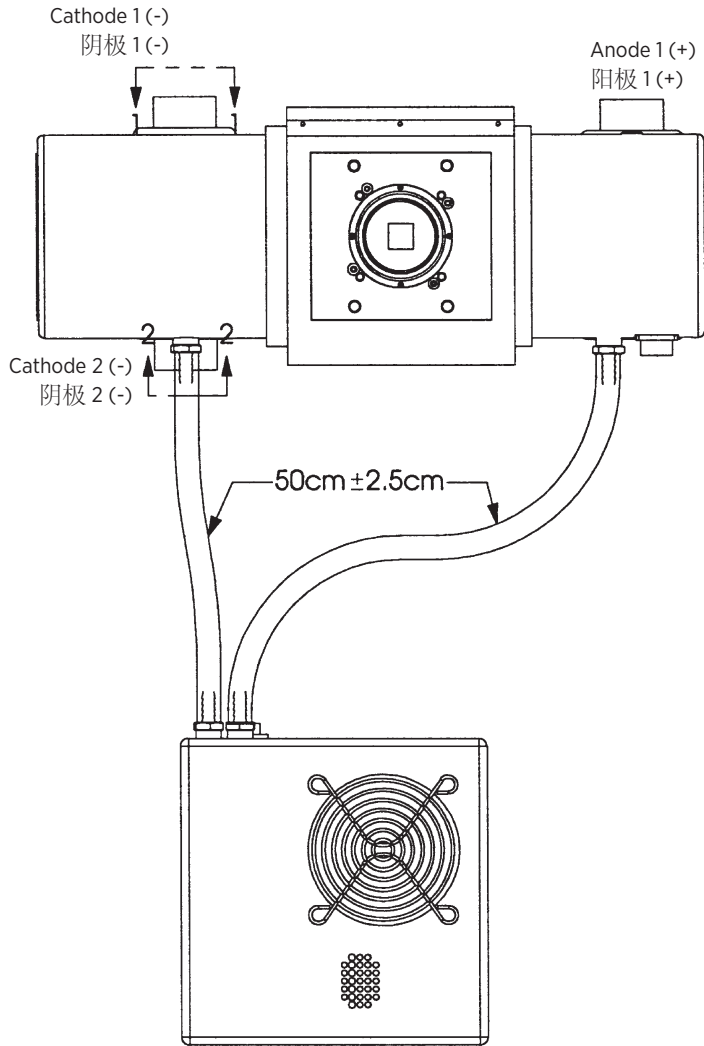
热控开关 正常情况下为闭合接点
 500mA @ 50VDC 或最大 100mA @ 120VAC

热控开关 #1

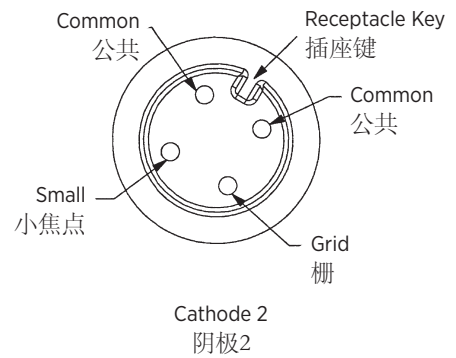
打开 85°C ±3.9°C (185°F ±7°F)

热控开关 #2

打开 70°C ±3.9°C (158°F ±7°F)

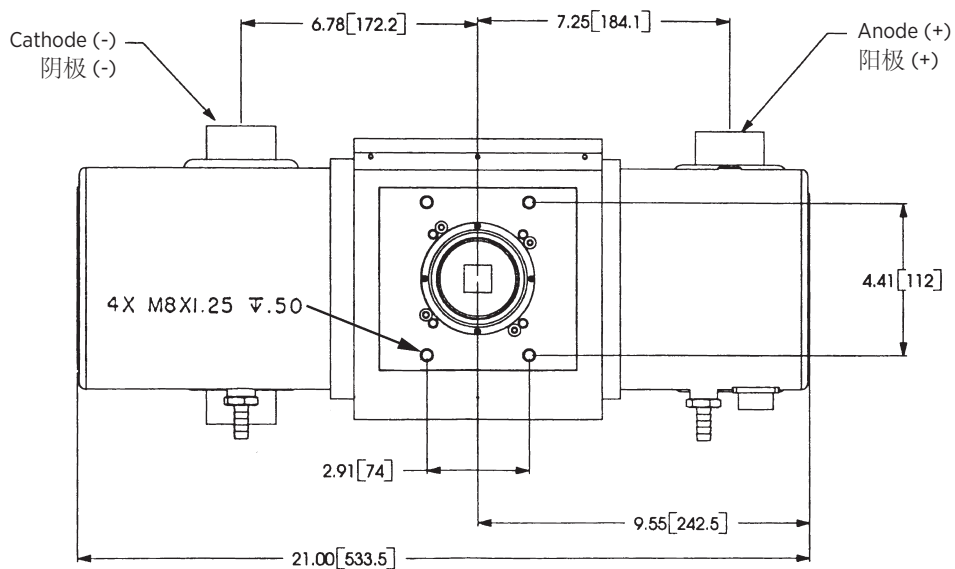
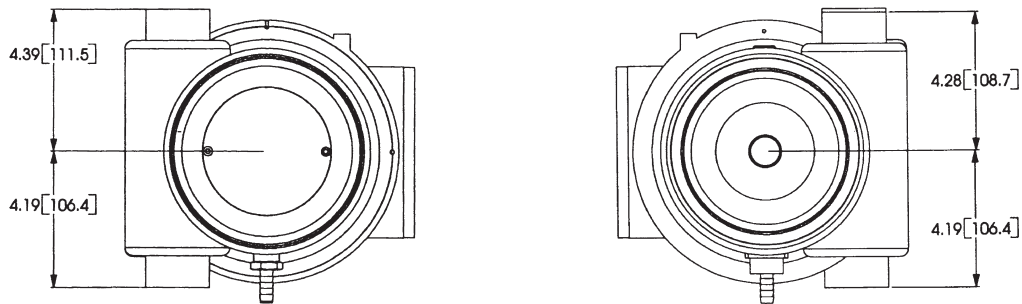
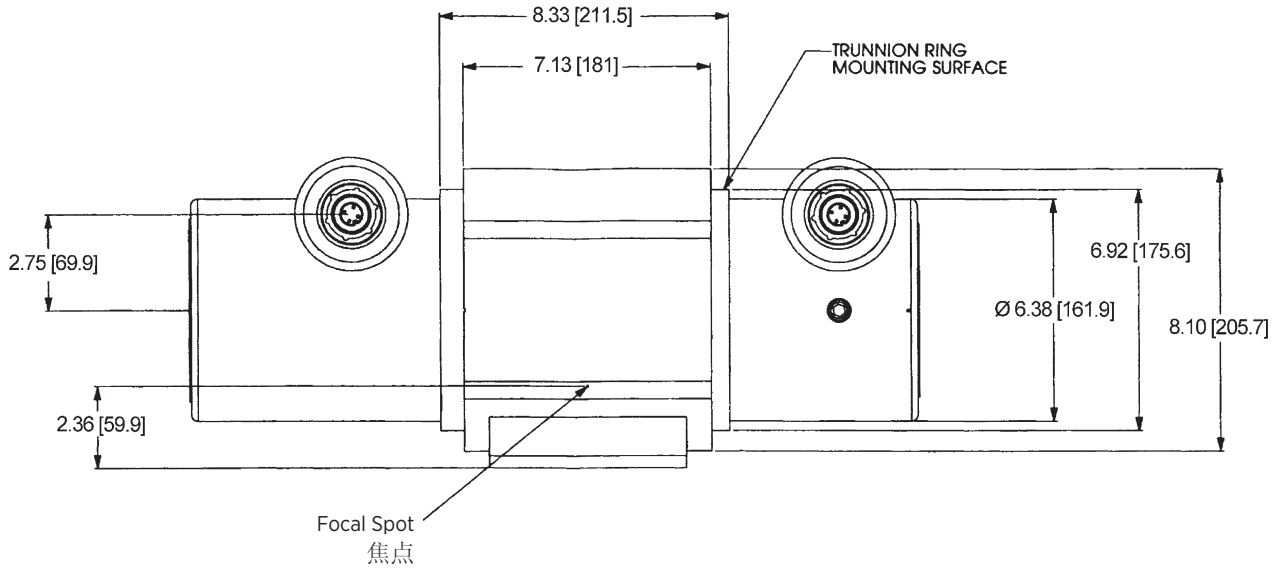


Bottom of Receptacle



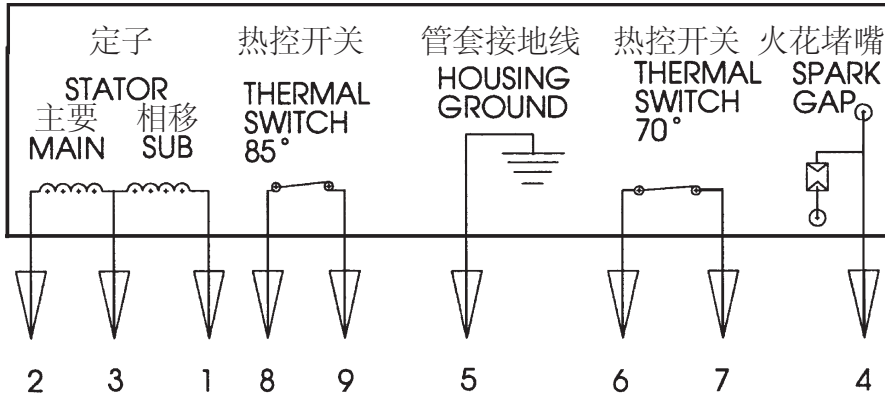
Bottom of Receptacle

Dimensions are for Reference only
维度是供仅参考

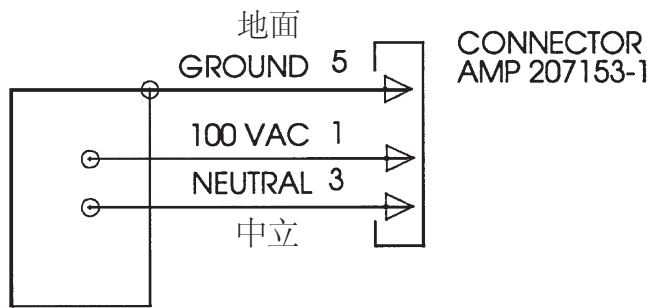


Stator Ratings and Characteristics
定子额定值及特征

Housing Connector Alden 90 16J-9P



Description	描述
1 Stator Phase	相移
2 Stator Main	定子
3 Common	公共
4 Metal Center Ground	管心中心区
5 Housing Ground	管套接地线
6/7 Thermal Switch (70°)	热控开关 (70°)
8/9 Thermal Switch (85°)	热控开关 (85°)



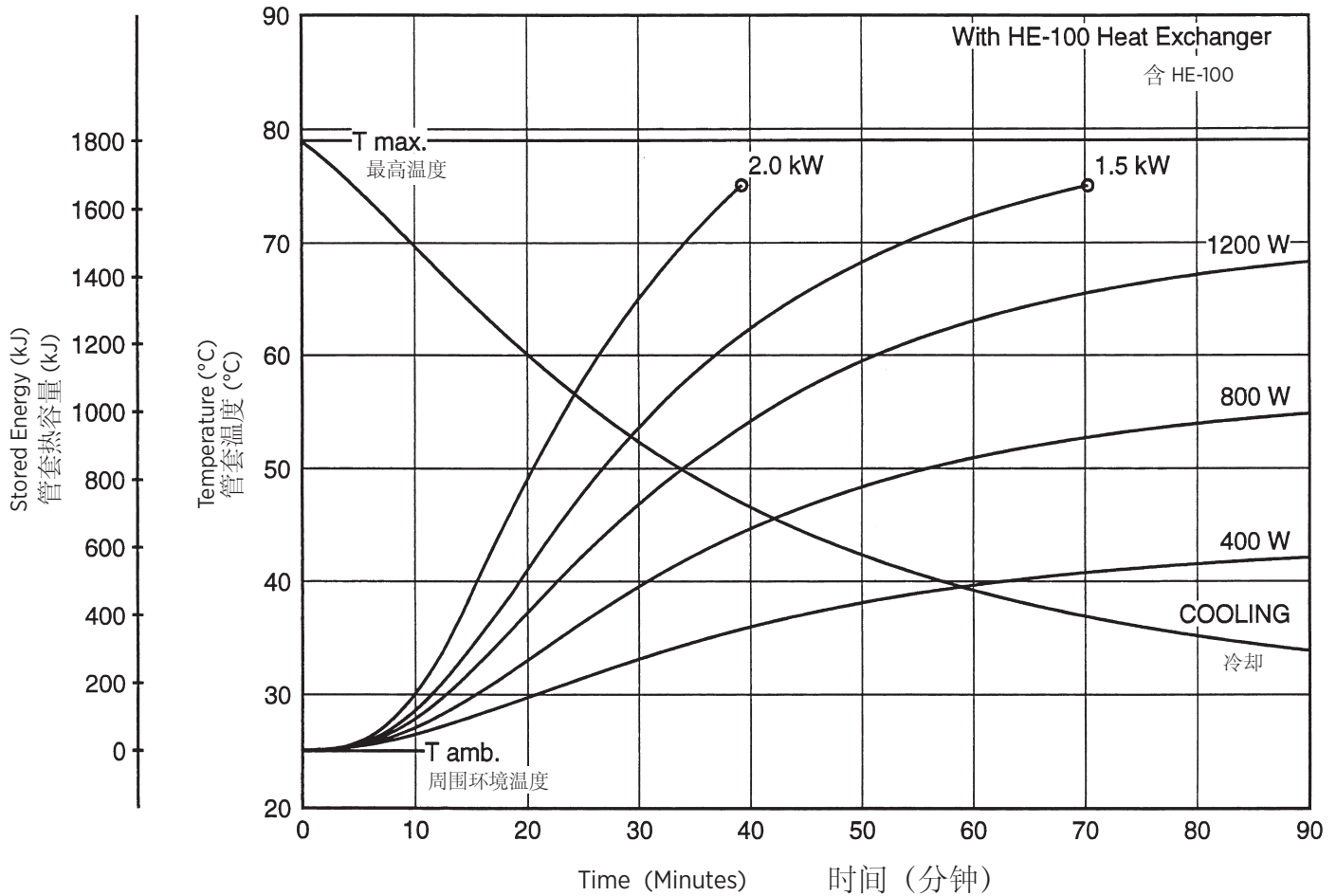
HEAT EXCHANGER HE-100

“STD” Stators	“STD” 定子	
Black - White	黑/白	16 Ω
Black - Green	黑/绿	66 Ω
Green - White	绿/白	50 Ω
180 Hz Cap	180 Hz 电容	6 μF
60 Hz Cap	60 Hz 电容	30 μF

Stator Drive Frequency 定子驱动频率	RPM
50 Hz	2800 - 3000
60 Hz	3400 - 3600
150 Hz	8500 - 9000
180 Hz	9500 - 10,800

Stator Power:
Time to full speed of the anode is a function of the power rating of the “starter” and the weight / diameter of the anode. All Varex Imaging stator types are rated for regular speed and high speed starters.
Immediately following high speed anode rotation, the rotor speed must be reduced to 4000 r/min or less within 10 seconds using a suitable dynamic braking device.
No more than two high speed starts per minute are permissible. The starting voltage must never exceed 600 volts rms.

定子功率:
阳极达到全速的时间是“起启动器”的额定功率以及阳极重量和直径的函数。万睿视影像所有型号的定子都按常速和高速启动器进行了检定。
高速阳极旋转后，转子的速度必须立即下降到 4000 转/分钟，或使用合适的电动制动装置在 10 秒内减速。
每分钟不允许有两次以上的高速启动。启动电压决不能高于 600 伏 rms。



Note:
Heat inputs into housing include tube power, filament power, and stator power. Heating curves based on no restrictions of natural convection around tube housing assembly.

注释:
向管套的热量输入包括管功率、灯丝功率和定子功率。加热曲线以管套组件周围无自然对流的限制为根据。