



Note: Document originally drafted in the English language.
注释：文件最初用英语起草。

Product Description

The ROT350™ housing is used for rotating anode inserts having 90mm (3.5 inch) diameter targets.

IEC Classification Class 1

Weight, Approximate:
Housing & Tube 24 kg (55 lbs)

Mounting Trunnion

™All trademarks property of the respective manufacturer.

产品说明

ROT350™ 管套适用于具有 90 mm (3.5 in) 直径靶盘的旋转阳极管芯。

IEC 分级 1 类

近似重量：
管和管套 24 kg (55 lbs)

安装 管箍

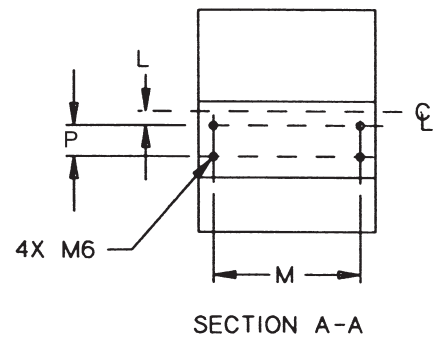
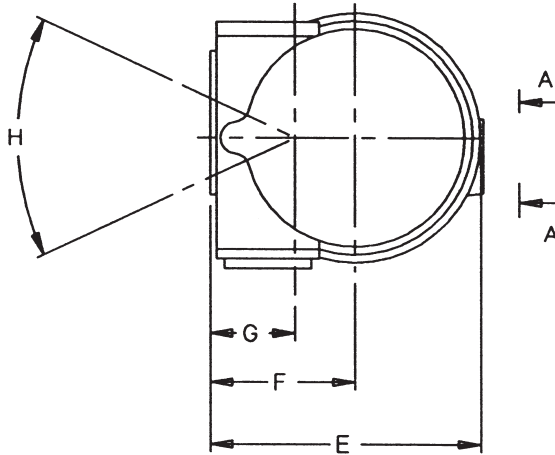
™ 所有商标均属于各自的生产商

Product Description	
Maximum Potential Difference	150 kV
Cathode to Ground	85 kV
Anode to Ground	85 kV
Maximum X-Ray Tube Assembly Heat Content	1,250 kJ (1,700 kHU)
Maximum Housing Temperature	85°C
Maximum Continuous Heat Dissipation	
without Air Circulator	250 W (350 HU/sec)
with Air Circulator	350 W (490 HU/sec)
X-Ray tube assembly	
Permanent Filtration	0.7mm Al IEC 60522
Loading Factors for Leakage Radiation	150 kV, 4.0 mA
Temperature Limits for Storage and Transport	-25°C to + 70°C
Humidity	10% to 90%
Atmospheric Pressure Range	70 kPa to 106 kPa
Thermal Switch	normally Closed
	5A @ 125 Vac
	(Activates on Bellow extension near 75 +/-5°C)
X-Ray Tube Assembly (Complies to)	IEC 60601-2-28

产品说明	
最大电位差值	150 kV
阴极到地	85 kV
阳极到地	85 kV
最大 X 射线管组件热含量 ..	1,250 kJ (1,700 kHU)
最大管套温度	85°C
最大连续散热	
没有热转换器	250 W (350 HU/sec)
与热转换器	350 W (490 HU/sec)
X 射线管组件	
固有滤过	0.7mm Al CEI 60522
泄漏辐射测试条件	150 kV, 4.0 mA
存储与运输温度限值	-25°C - +70°C
湿度	10% - 90%
大气压范围	70 kPa - 106 kPa
热控开关	正常情况下为闭合状态
	5A @ 125 Vca
	(激活在轰鸣声引伸大约75 +/-5°C)
X 射线管组件 (符合)	IEC 60601-2-28

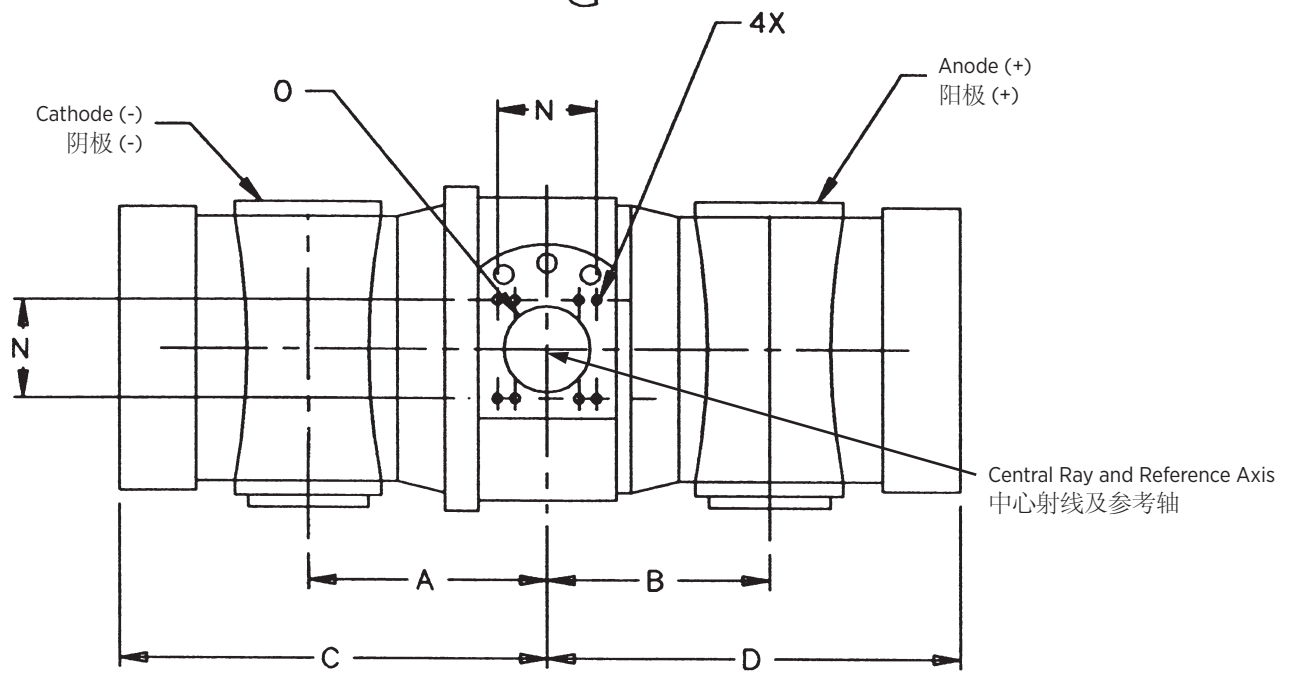
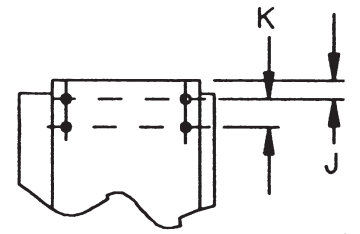
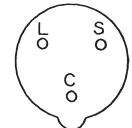
Dimensions are for reference only
维度是供仅参考

尺寸数据		
	英寸	毫米
A	6.38	162
B	5.43	138
C	9.69	246
D	9.84	250
E	7.40	188
F	3.94	100
G	2.48	63
H	55°	
J	.39	10
K	.71	18
L	.32	8
M	3.62	92
N	2.56	65
O	2.24	57
P	.83	21



(As viewed looking down into the receptacle)
向插座内俯视进行查看

Receptacle Key
插座键



Stator - Wiring Diagram - Refer to the equipment manufacturer's instructions.

定子 — 连线图 — 参考设备制造商说明

Stator Drive Frequency 定子驱动频率	RPM
50/60 Hz 150/180 Hz	2800/3400 ±10% 8200/9600 ±10%

Stator Power:

Time to full speed of the anode is a function of the power rating of the “starter” and the weight / diameter of the anode. The ROT350 stator is rated for regular speed and high speed starters.

Voltage:	Start	Run
60Hz	230 VAC	75 VAC
180Hz	400 VAC	85 VAC

Time to Full Speed:

50/60 Hz	1.0 sec.
150/180 Hz	2.0 sec.

Immediately following high speed anode rotation, the rotor speed must be reduced to 4000 r/min or less within 10 seconds using a suitable dynamic braking device.

定子功率:

阳极达到全速的时间是“启动器”额定功率和阳极重量/直径的一个函数。ROT350 定子将按照常速和全速定子进行鉴定。

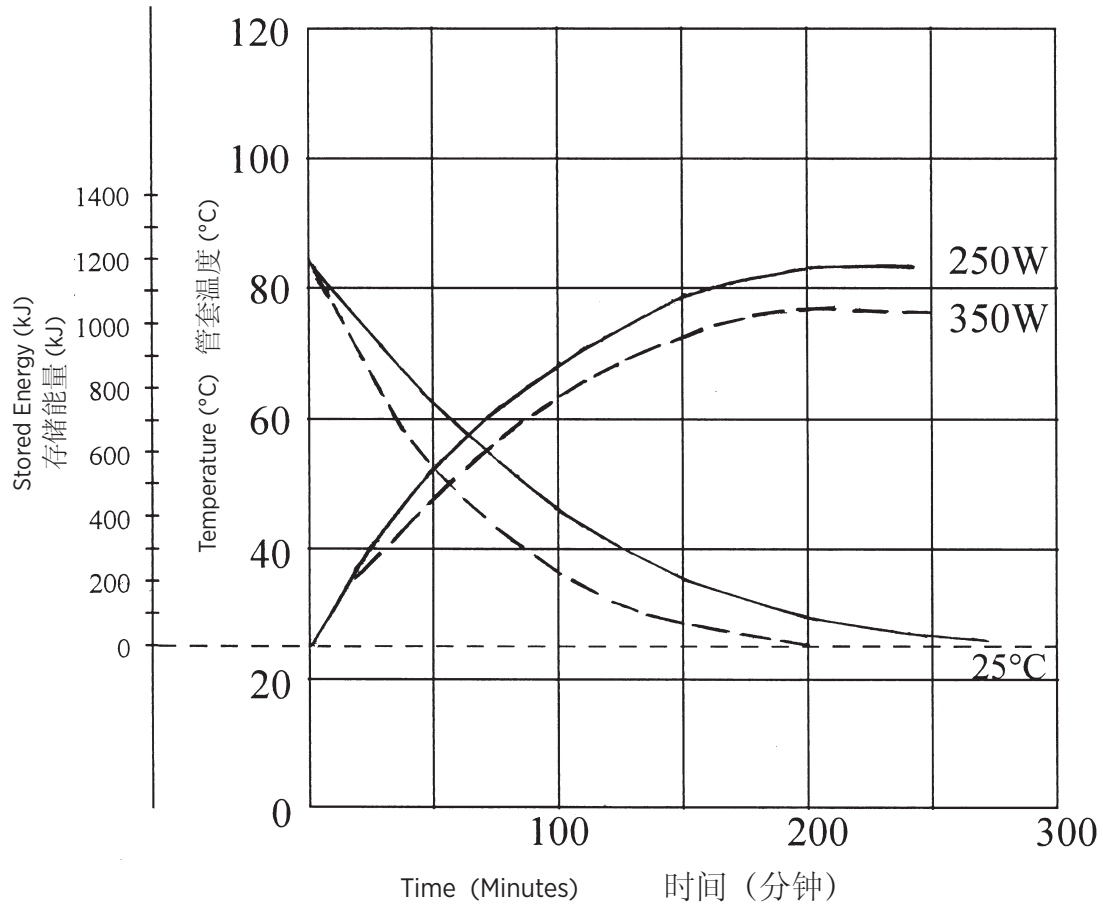
电压:	启动	运行
60Hz	230 VAC	75 VAC
180Hz	400 VAC	85 VAC

达到全速的时间:

50/60 Hz	1.0 sec.
150/180 Hz	2.0 sec.

高速阳极旋转后，转子的速度必须立即下降到 4000 转/分钟，或使用合适的电动制动装置在 10 秒内减速。

without air circulation ———
with air circulation - - - - -
没有热转换器 ———
与热转换器 - - - - -



Note:
Heat inputs into housing include tube power, filament power, and stator power. Heating curves based on no restrictions of natural convection around tube housing assembly.

注释:
向管套的热量输入包括管功率、灯丝功率和定子功率。加热曲线以管套组件周围无自然对流的限制为根据。

