

OPTICA™ 50 MOTORIZED COLLIMATOR



OVERVIEW

The Optica™ 50 is a motorized collimator for integration in high-end radiography and fluoroscopy systems.

This collimator has no dials or buttons and is operated remotely through its CAN-bus.

The Optica 50 is standard equipped with a long-life power LED that projects a bright light field on the exposed area.

Aligning the detector under the X-ray beam is made easy with a center laser line.

Beam filtration is possible with the optional motorized filter module. Choose between no filtration or three different aluminum plus copper combinations.

Shutter calibration and customization of user settings are performed with a software tool by connection a laptop.

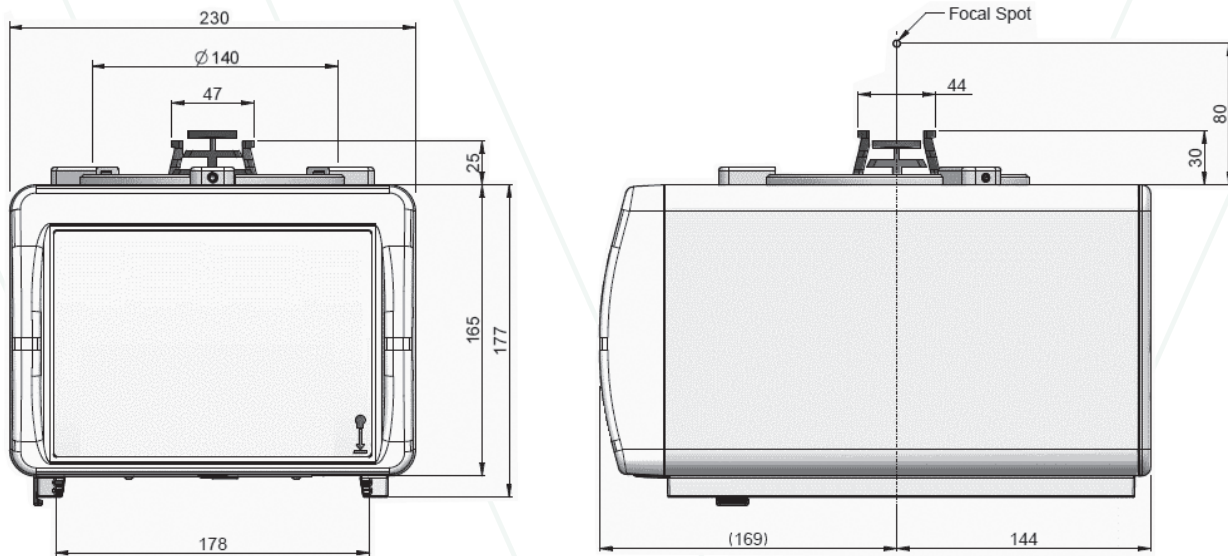
APPLICATIONS

- Stationary X-ray equipment for radiography and fluoroscopy up to 150 kV tube voltage.

OPTICA 50

COLLIMATOR DIMENSIONS

(mm)



Technical Specifications

Collimation	Rectangular field 48 x 48 cm at 1 m SID (maximum)
Attenuation equivalent (IEC 60601-1-3:2008)	1.2 mm Al _{eq} at 75 kVp
Additional Filters (IEC 60601-1-3:2008 §7.3 / §7.4)	2 additional motor driven filters; manually selectable or by CAN-bus. Selectable filter combinations: <ul style="list-style-type: none"> • No added filter • Filter 1 = 1 mm Al + 0.1 mm Cu • Filter 2 = 1 mm Al + 0.2 mm Cu • Combined: 2 mm Al + 0.3 mm Cu
Bucky center line laser (IEC 60825-1)	Class 1 laser
Light field illuminance (IEC 60601-2-54:2009)	>230 lx with LED power set to 100% (1m from focus, 35 x 35 cm)
Leakage radiation (IEC 60601-1-3:2008)	≤0.5 mGy/hr (at 1m, 150 kVp, 4 mA)
Accessory rails	For two (2) accessories of 177 mm wide x 2 mm thick
Power Consumption	24 VDC, 35 VA max.
Weight	9.0 kg
Compliance	Conforms to the requirements of FDA and the European Medical Device Directive (CE Mark Class IIb)

MORE INFORMATION

Varex Imaging Corporation is a leading innovator, designer and manufacturer of X-ray imaging components, which includes tubes, digital flat panel detectors and other image processing solutions, which are key components of X-ray imaging systems.

For more information, please contact a Varex Imaging sales representative in your territory. Contact details are available at www.vareximaging.com/contact-information.

Varex Imaging Corporation

Headquarters

Salt Lake City, UT 84104
Tel: 801-972-5000
Fax: 801-973-5050

Connect & Control

The Netherlands
Tel: +31 315 659150
Netherlands.CNC@vareximaging.com

©2017 Varex Imaging Corporation.
All Rights reserved.

Production of any of the material contained herein in any format or media without the express written permission of Varex Imaging Corporation is prohibited.