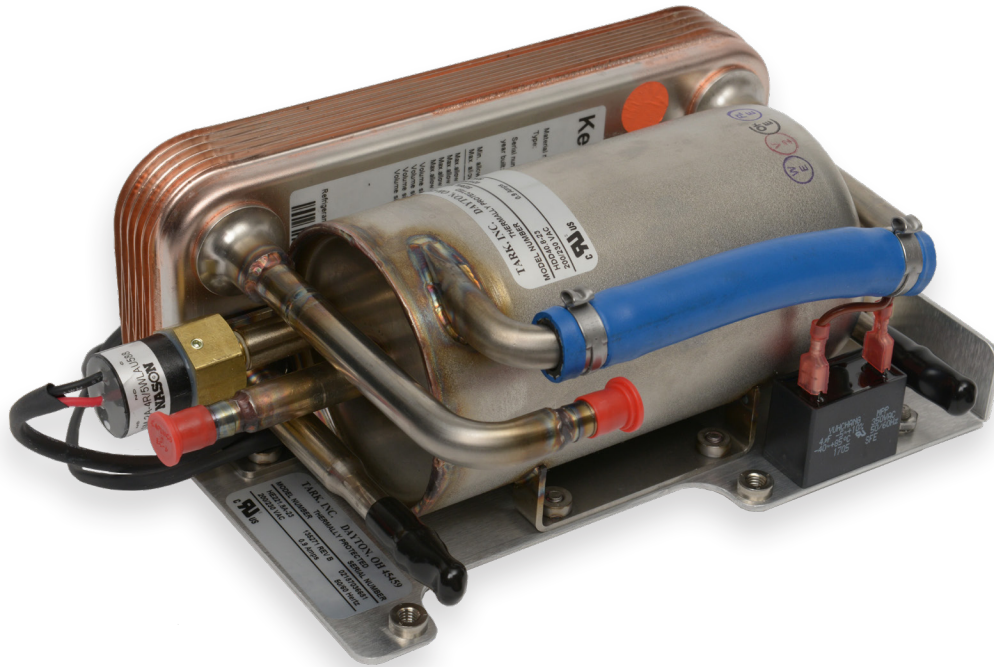


Heat Exchanger (Oil to Water)  
Installation Information



**DESCRIPTION:**

Heat Exchanger (oil to water). For use with B-130H, B-150H, B-160H and B-180H housings.

**PERFORMANCE:**

2.0 kW with 1 GPM Water Flow (62°C)

**OIL HOSES:**

3/8 inch I.D. Hose Diameter.

**WATER HOSES:**

3/8 inch I.D. Hose Diameter

**POWER REQUIREMENTS:**

220/230 VAC 50/60 Hz 0.9 Amps

**DIMENSIONS:**

Width 10.50 inches (267 mm)

Length 6.31 inches (160 mm)

Height 3.69 inches (94 mm)

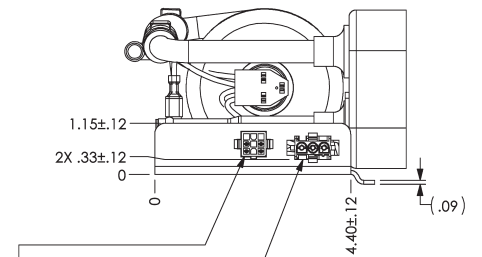
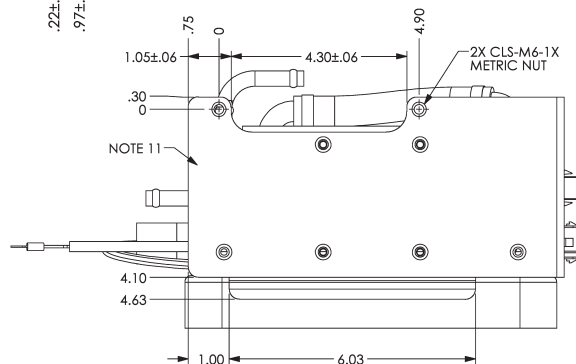
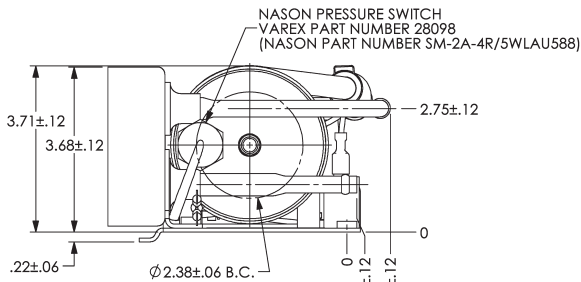
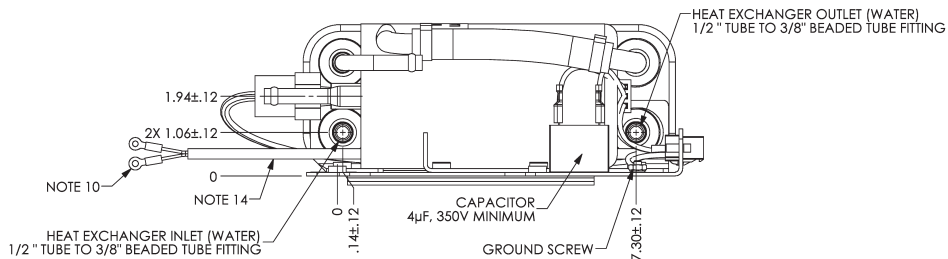
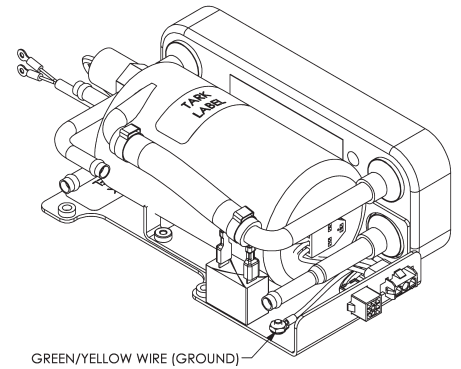
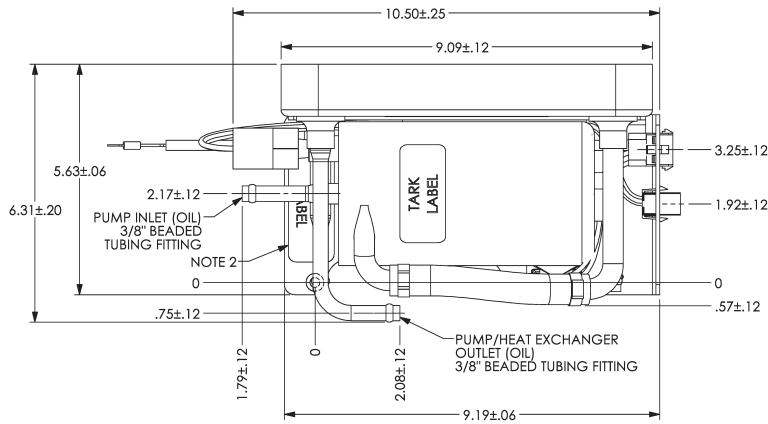
**WEIGHT:**

11.0 Pounds (5.0 kg)

Outline Drawing

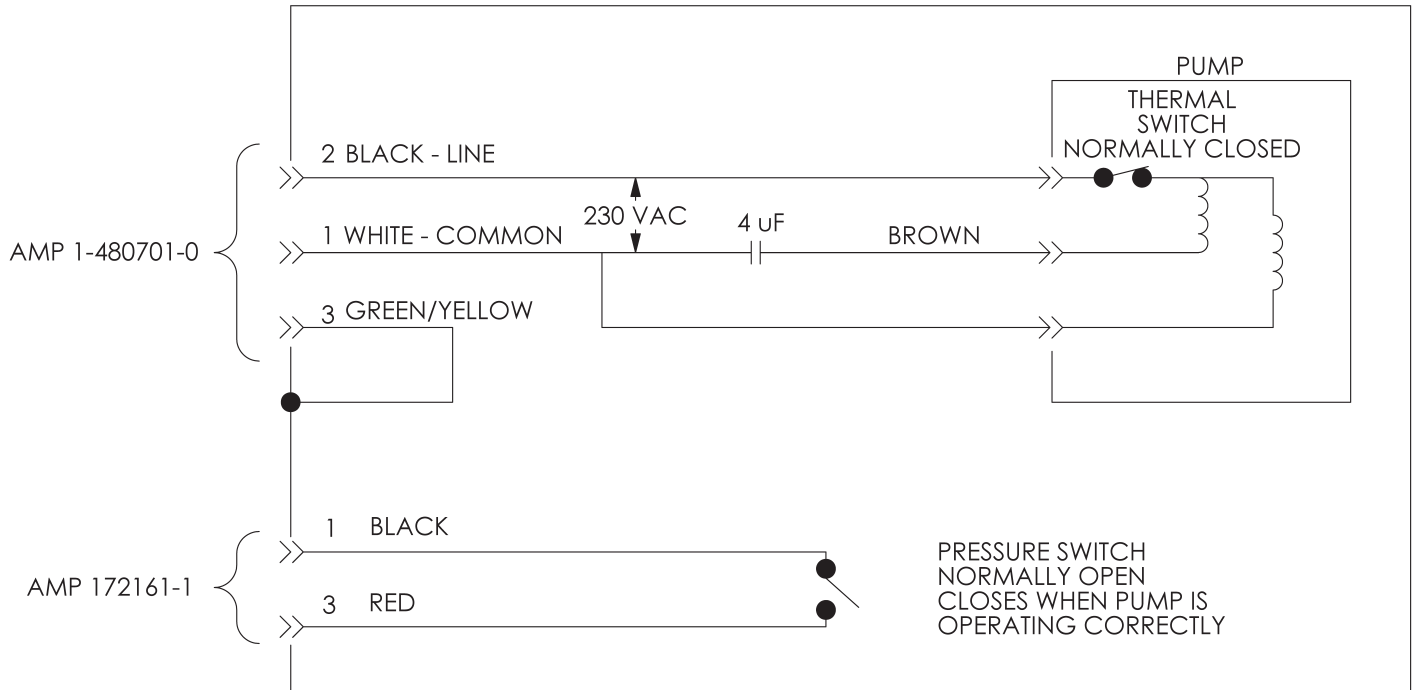
Heat Exchanger

Dimensions are for reference only



- TARK SUPPLIED 3 PIN POWER CAP (AMP PART NUMBER 1-480701-0)
- TARK SUPPLIED PIN CONTACT (AMP PART NUMBER 350218-3)
- MATING CUSTOMER PLUG (AMP PART NUMBER 1-480700-0)
- PIN 1 - 18 AWG WHITE WIRE (NEUTRAL)
- PIN 2 - 18 AWG BLACK WIRE (POWER)
- PIN 3 - 18 AWG GREEN/YELLOW WIRE (GROUND)
- TARK SUPPLIED 9 PIN SENSOR CAP (AMP PART NUMBER 172161-1)
- TARK SUPPLIED SOCKET CONTACTS 4X (AMP PART NUMBER 770988-1), NOTE 10
- MATING CUSTOMER PLUG (AMP PART NUMBER 794194-1)
- PIN 1 - 18 AWG PRESSURE SWITCH (BLACK)
- PIN 3 - 18 AWG PRESSURE SWITCH (RED)
- PIN 4 - 18 AWG (BLACK), NOTE 10
- PIN 6 - 18 AWG (RED), NOTE 10

### Wiring Diagram



Flow interlock switch:

Pressure switch: Varex Imaging Part Number 28098 (Nason SM-2A-4R)

Contact ratings: 5A at 125/250VAC, 5A at 30 VDC

Temperature Monitoring Devices:

Thermal Switch Normally Closed. Opens at 135°C ±10°C.

### Cooling Characteristics

Oil temperature with 1 gpm water flow

