

DESCRIPTION:

Heat Exchanger (oil to water).
For use with B-130H, B-150H, B-160H and B-180H housings.

PERFORMANCE:

2.0 kW with the following conditions:
1) 2 GPM Water Flow (36°C)

OIL HOSES:

282 cm
1/4 inch I.D. hose diameter.

WATER HOSES

Parker-Push-Lok 801-6
Water hose length - 96.5 cm

POWER REQUIREMENTS:

100 - 120 VAC 50/60 Hz 2.0 Amps

DIMENSIONS:

Width 9.43 inches (240 mm), Length 9.43 inches (240 mm), Height 3.83 inches (97 mm)

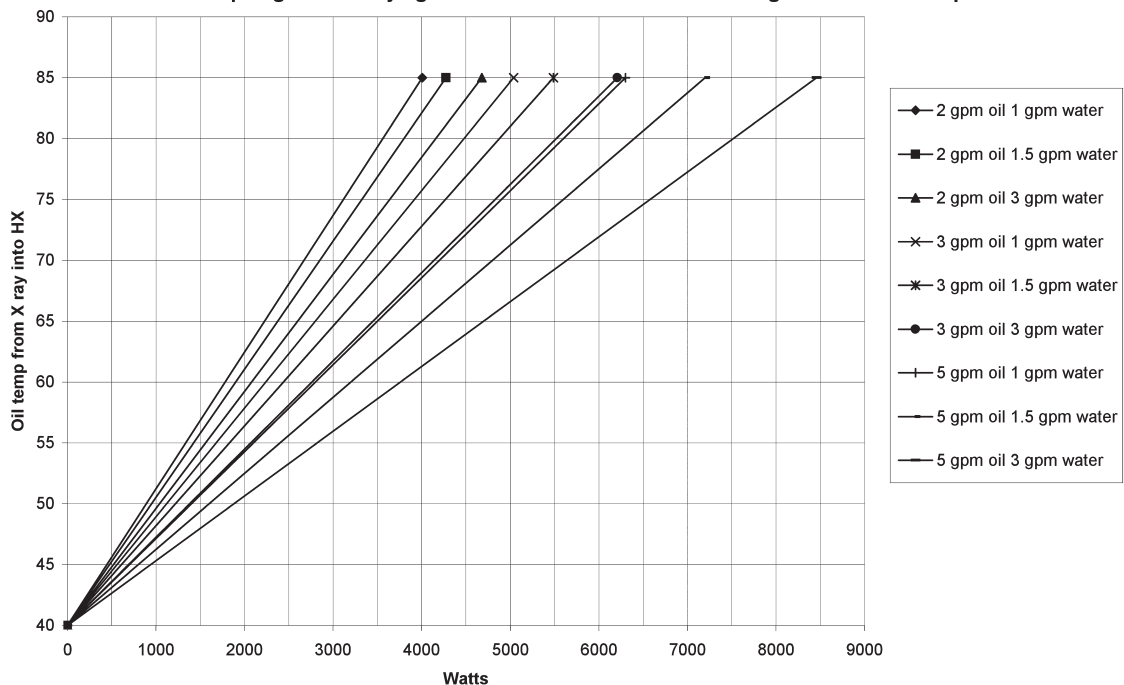
WEIGHT:

18.5 Pounds (8.4 kg)



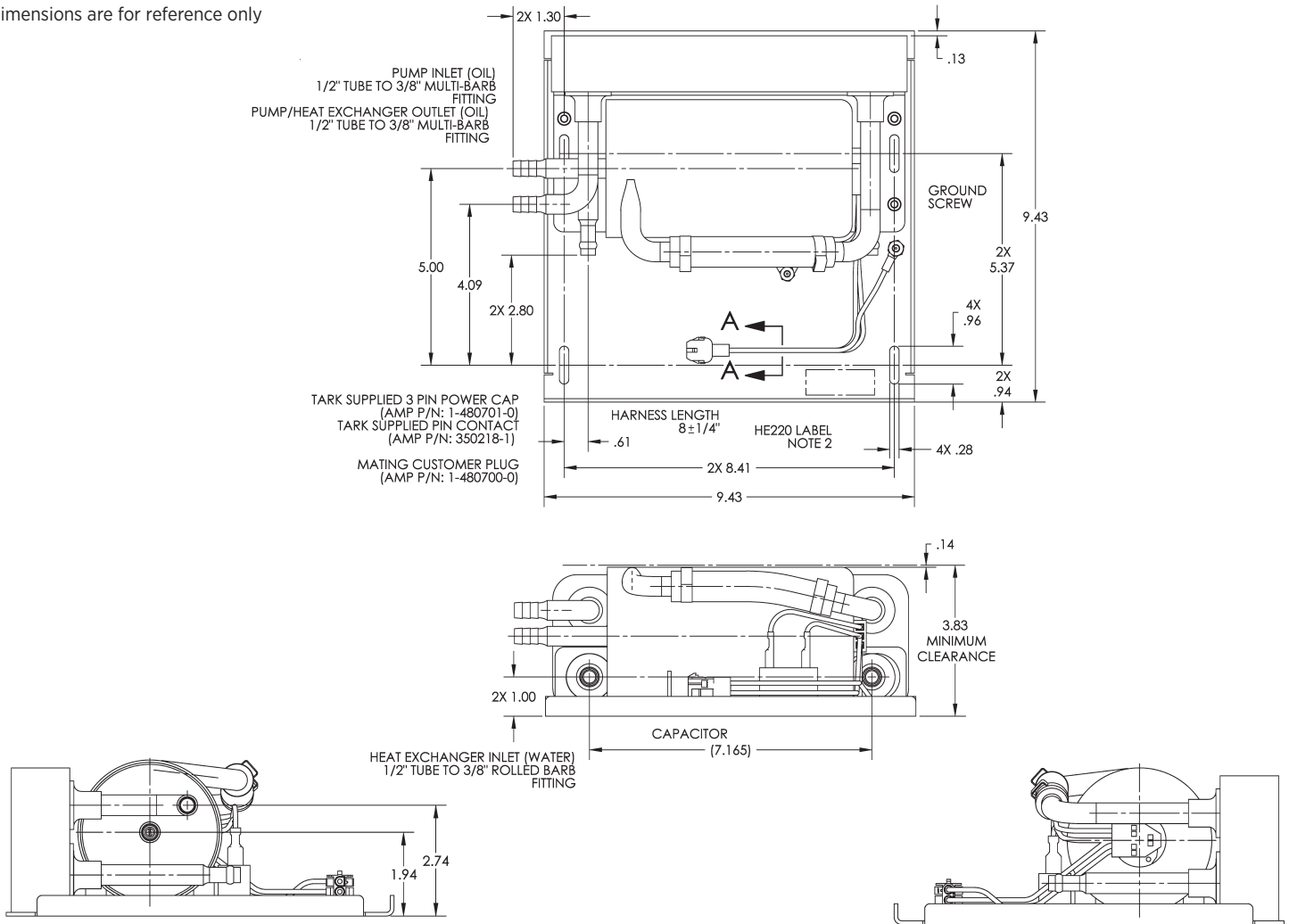
Cooling Characteristics

Oil Temp deg C with varying water and oil flows vs. KW at 40 deg C inlet water Temp



Outline Drawing

Dimensions are for reference only


Wiring Diagram

120 VAC 50/60 Hz

