

**DESCRIPTION:**

Heat Exchanger (oil to water).  
For use with B-130H, B-150H, B-160H and B-180H housings.

**PERFORMANCE:**

2.0 kW with the following conditions:  
1) 2 GPM Water Flow (36°C)

**OIL HOSES:**

1/2 inch Male NPT

**WATER HOSES**

Parker-Push-Lok 801-6

**POWER REQUIREMENTS:**

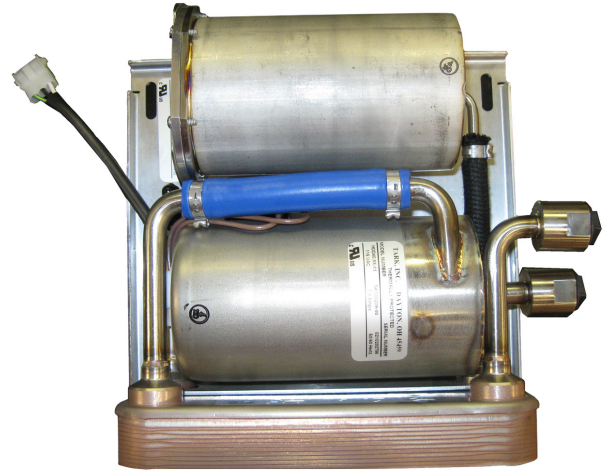
100 - 120 VAC 50/60 Hz 2.0 Amps

**DIMENSIONS:**

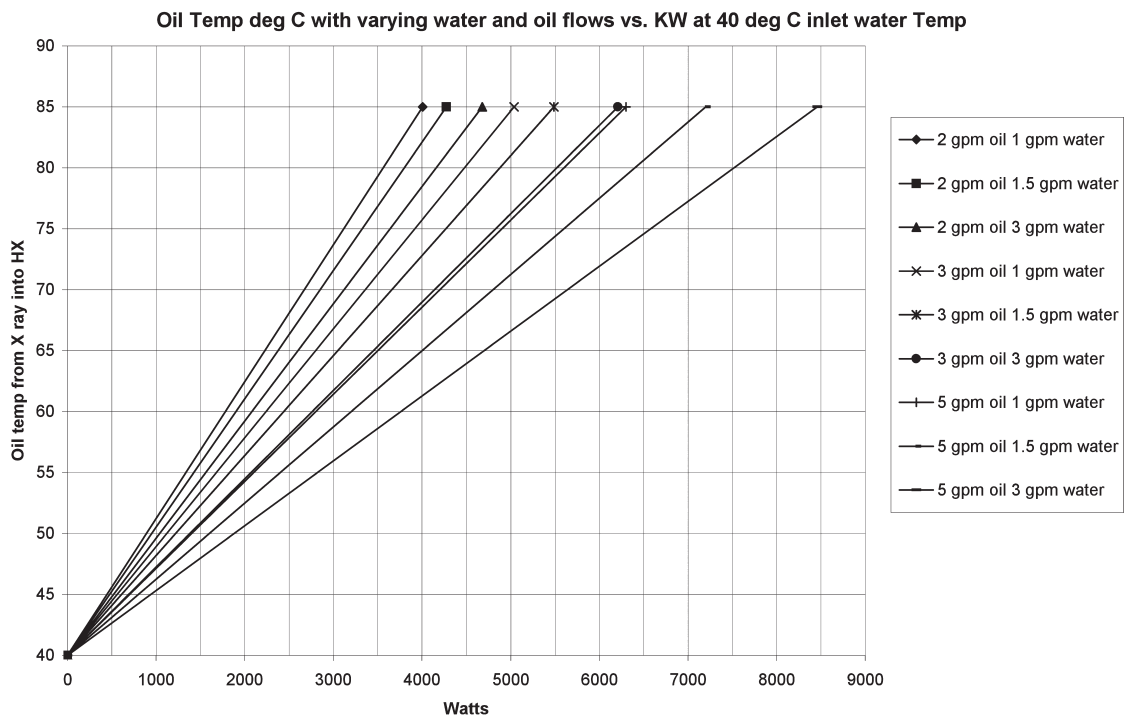
Width 9.43 inches (240 mm)  
Length 9.43 inches (240 mm)  
Height 3.83 inches (97 mm)

**WEIGHT:**

13 lbs. 4 oz dry (6.01 kg)

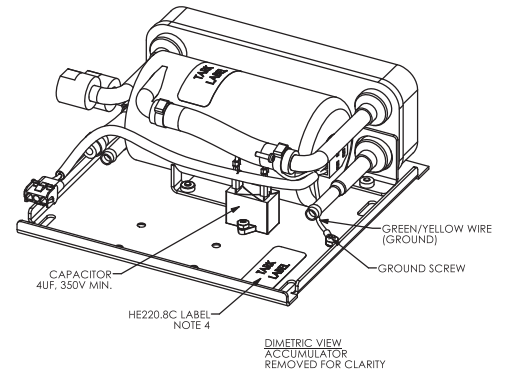
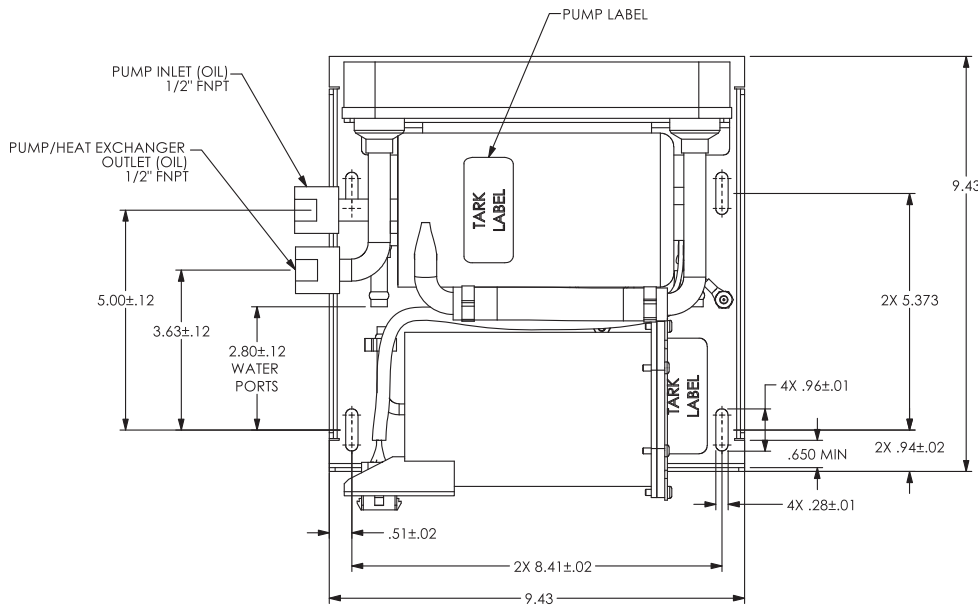


**Cooling Characteristics**



### Outline Drawing

Dimensions are for reference only



### Wiring Diagram

