

DESCRIPTION:

Heat Exchanger (oil to water).
For use with B-130H, B-150H, B-160H, B-180H, B-200H,
B-220H and B-240H housings.

PERFORMANCE:

2.0 kW with the following conditions:
1) 2 GPM Water Flow (36°C)

OIL HOSES:

3/8" diameter beaded tube inlet and outlet

WATER HOSES

1/2" diameter beaded tube inlet and outlet

POWER REQUIREMENTS:

48 VDC $\pm 10\%$ 3.7 Amps

WEIGHT:

13 lbs. 4 oz dry (6.01 kg)

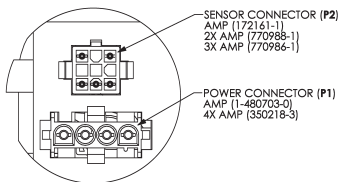
Additional Hardware:

Requires the use of a controller unit. See Page 3 for details.

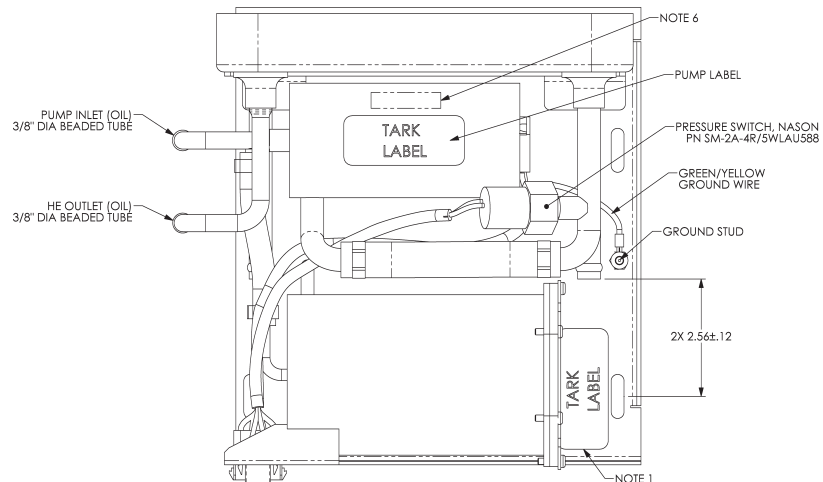
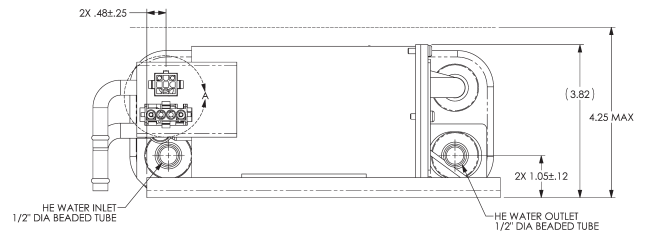
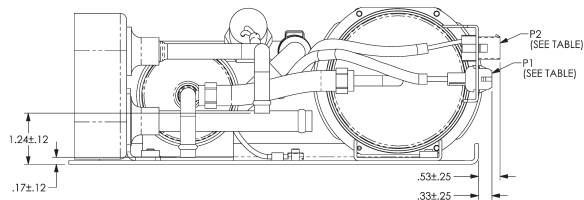
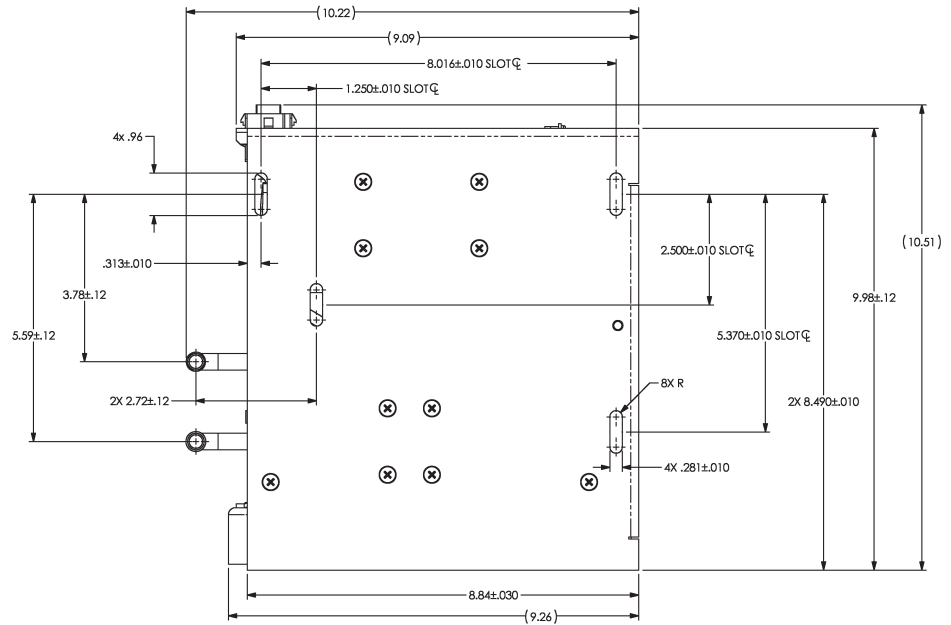
Outline Drawing

Dimensions are for reference only

PIN ASSIGNMENT TABLE				
CONNECTOR	PIN#	AWG SIZE	COLOR	FUNCTION
P1	1	18	BLACK	U
	2	18	RED	V
	3	18	WHITE	W
	4	18	GREEN/YELLOW	GROUND
P2	1	18	BLACK	PRESSURE SW
	3	18	RED	PRESSURE SW
	7	26	WHITE	RTD
	8	26	WHITE	RTD
	9	26	RED	RTD

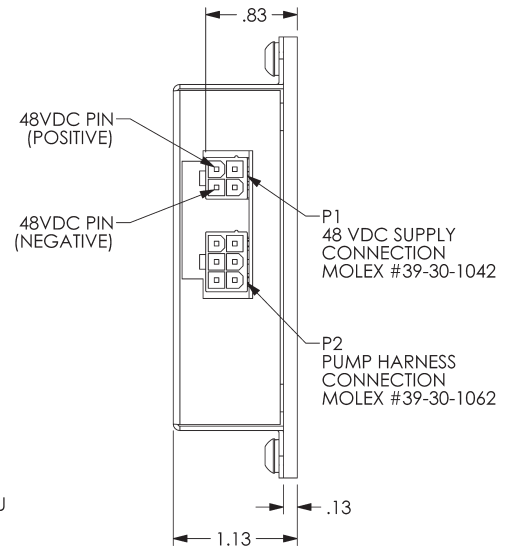
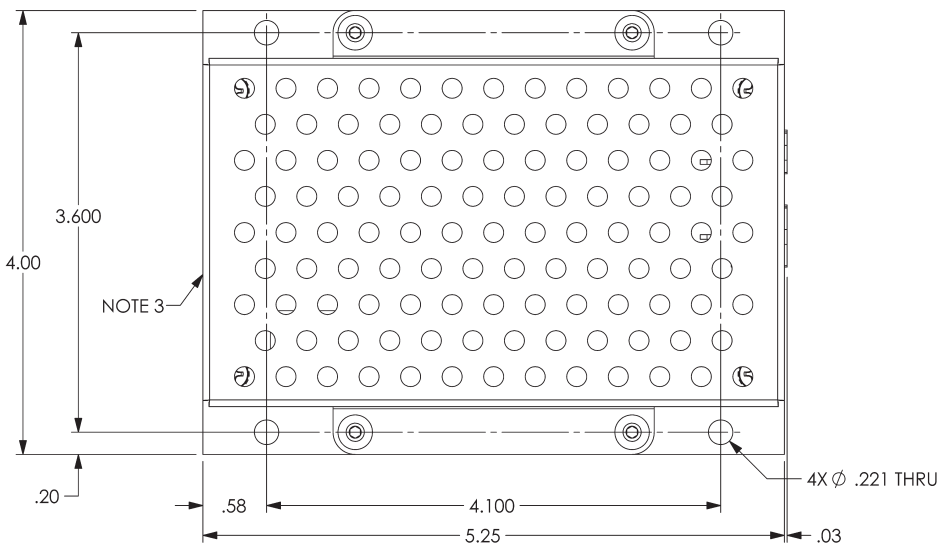
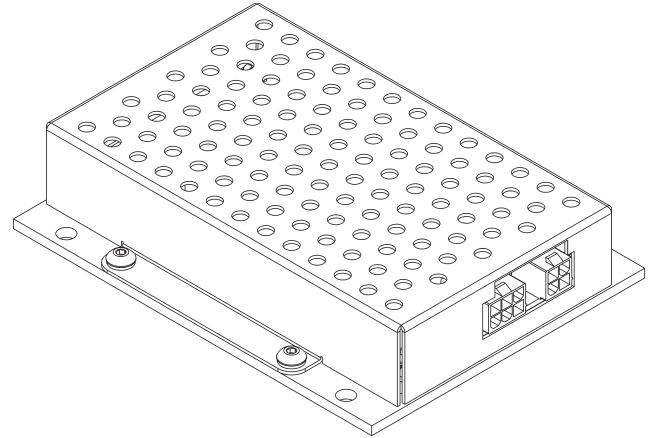


DETAIL A
SCALE 4:3



Controller Unit

Dimensions are for reference only



NOTES:

1. UNIT AMBIENT TEMPERATURE: 0 - 50 C
2. UNIT WEIGHT TO BE .5 017 ±.2 lbs.
3. AUTO RESTART MUST OCCUR AFTER POWER FAULT.

P1 CONNECTOR PIN ASSIGNMENT	
PIN	FUNCTION
1	NC
2	NC
3	+48VDC
4	0VDC

P2 CONNECTOR PIN ASSIGNMENT	
PIN#	FUNCTION
1	NC
2	GROUND
3	NC
4	W
5	V
6	U

Cooling Characteristics

HE-220.48D

Oil Temp deg C with varying water and oil flows vs. KW at 40 deg C inlet water Temp

