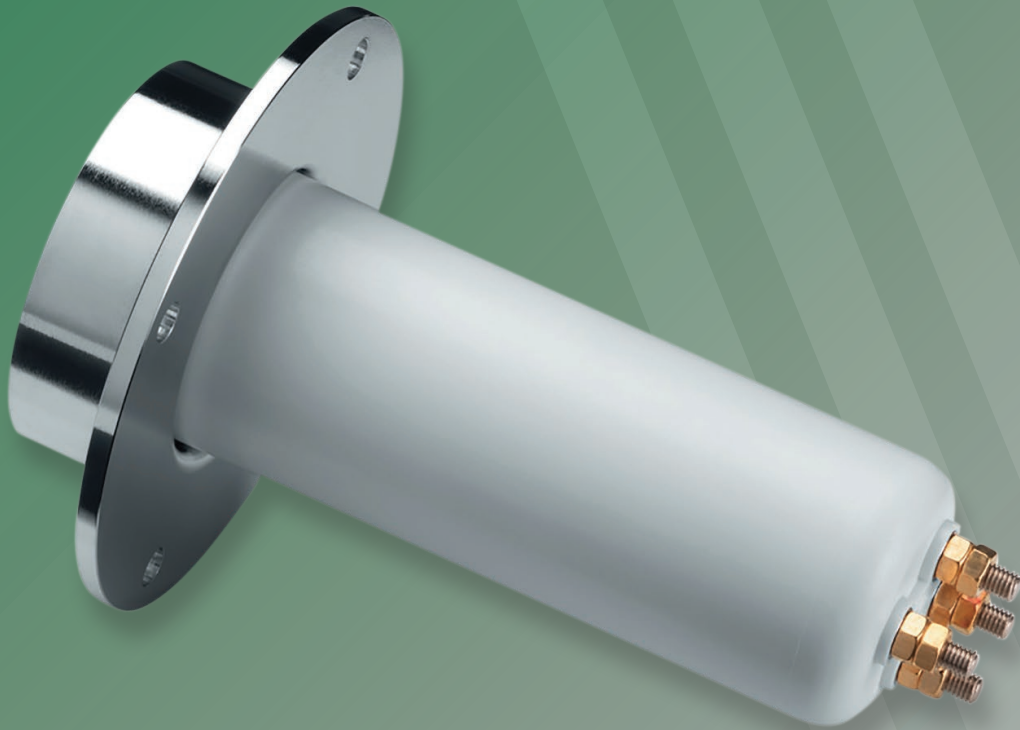


CA4-TYPE (O4) RECEPTACLE

for up to 100 kVDC



The CA4-type receptacle is a 4-pin Federal Standard socket that complies to the NEMA XR-7 and IEC 60526 standards for X-ray cable plugs and receptacles.

FEATURES

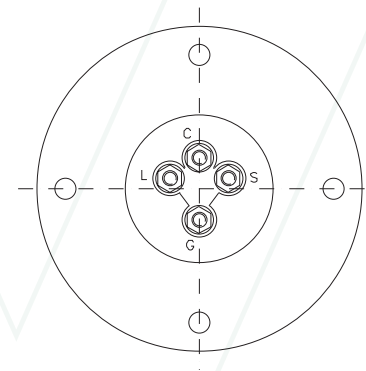
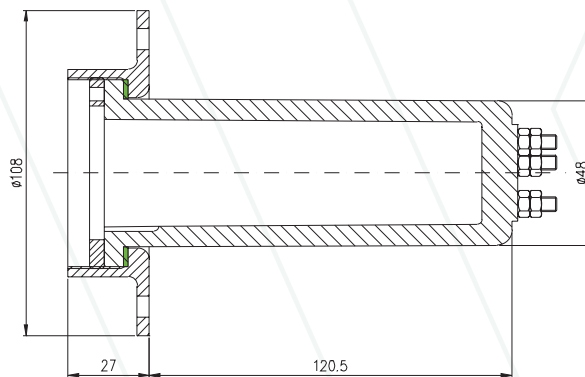
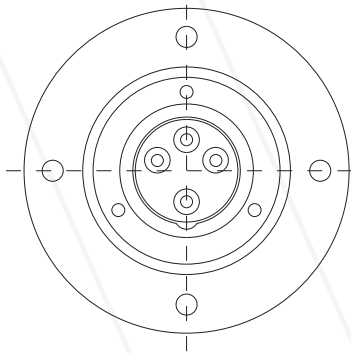
- Nickel-plated brass contact pins directly molded into receptacle with O-rings for excellent oil-seal.
- Thermoplastic material with high flame-retardant rating (UL94-5VA), high insulation resistivity ($\geq 10^{15} \Omega \cdot m$) and high temperature resistance (130°C).
- Corona-free aluminium anode plate.
- Brass thrust ring with spanner wrench holes.
- Flat rubber gasket for oil-seal.
- Chromium-plated brass mounting flange for mounting on generator.
- Lead wires, potted end or custom machining available upon request.

DESCRIPTION

The receptacle is made from a UL 94-VO and UL 94-5VA rated high insulating thermoplastic material with excellent chemical resistance to transformer oils and chemicals. The directly molded nickel-plated brass contact pins are sealed with O-rings for an excellent vacuum-sealing. Standard packaging is one receptacle with brass nuts and a protection cap. The anode version also includes the anode plate. This receptacle is subjected to the Underwriters Laboratories "Recognized Component Service".

Technical Specifications

Rated voltage between pins and flange	75 kVDC
Type test voltage between pins and flange	150 kVDC / 15min
Rated voltage between pins	4.3 kVACrms
Type test voltage between pins	6 kVACrms / 15min
Insulation resistance between pins	$>10^{15} \Omega$
Insulation resistance between pins and flange	$>10^{15} \Omega$
Maximum conductor current	25A
Material flame class rating UL 94 5VA	2.25 mm / 0.089 in
Maximum continuous operating temperature	130°C / 266°F



OPTIONAL MOUNTING HARDWARE

- Mounting flange with four holes
- Flat rubber gasket
- Thrust ring

MORE INFORMATION

Varex Imaging Corporation is a leading innovator, designer and manufacturer of X-ray imaging components, which includes tubes, digital flat panel detectors and other image processing solutions, which are key components of X-ray imaging systems.

For more information, please contact a Varex Imaging sales representative in your territory. Contact details are available at www.vareximaging.com/contact-information.

Varex Imaging Corporation

Headquarters

Salt Lake City, UT
Tel: 801-972-5000
Fax: 801-973-5050

Connect & Control

The Netherlands
Tel: +31 315 659150
Netherlands.CNC@vareximaging.com

©2017 Varex Imaging Corporation.
All Rights reserved.

Production of any of the material contained herein in any format or media without the express written permission of Varex Imaging Corporation is prohibited.

The data in this document is for reference only.

Contents in this document are subject to change without notice.