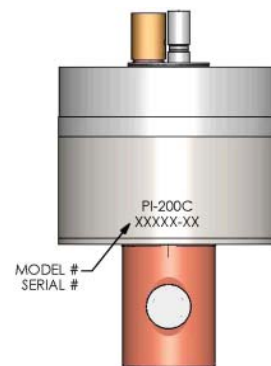
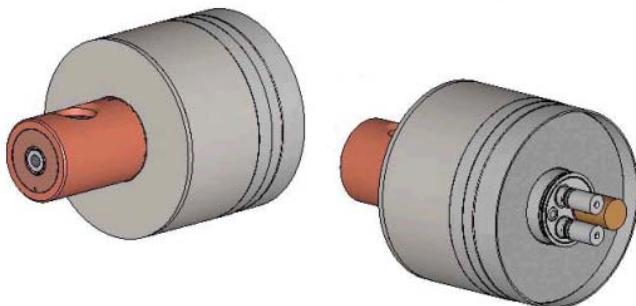
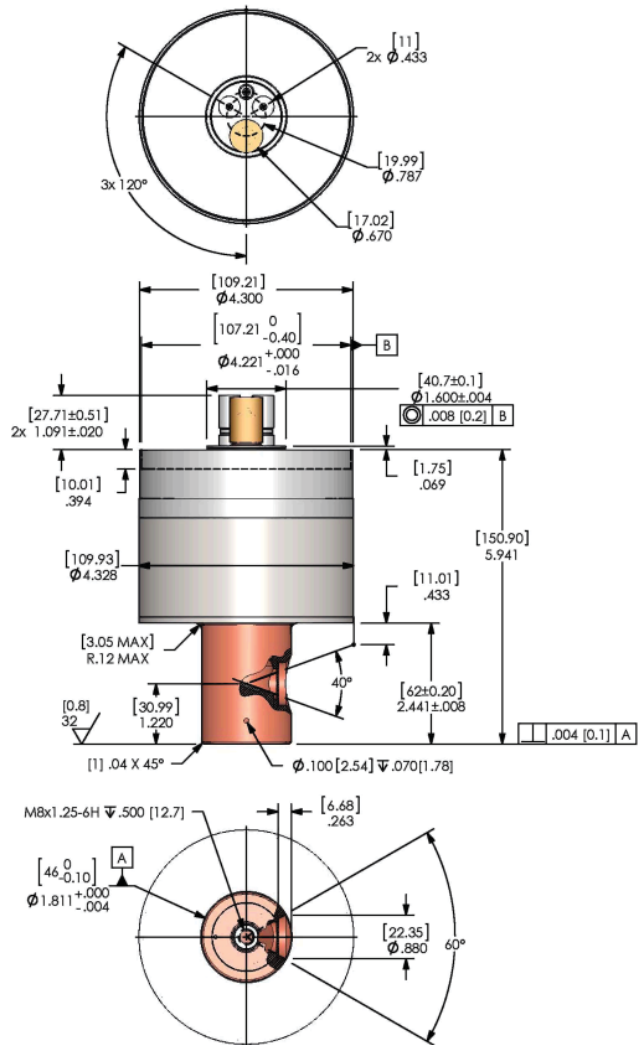


Product Description

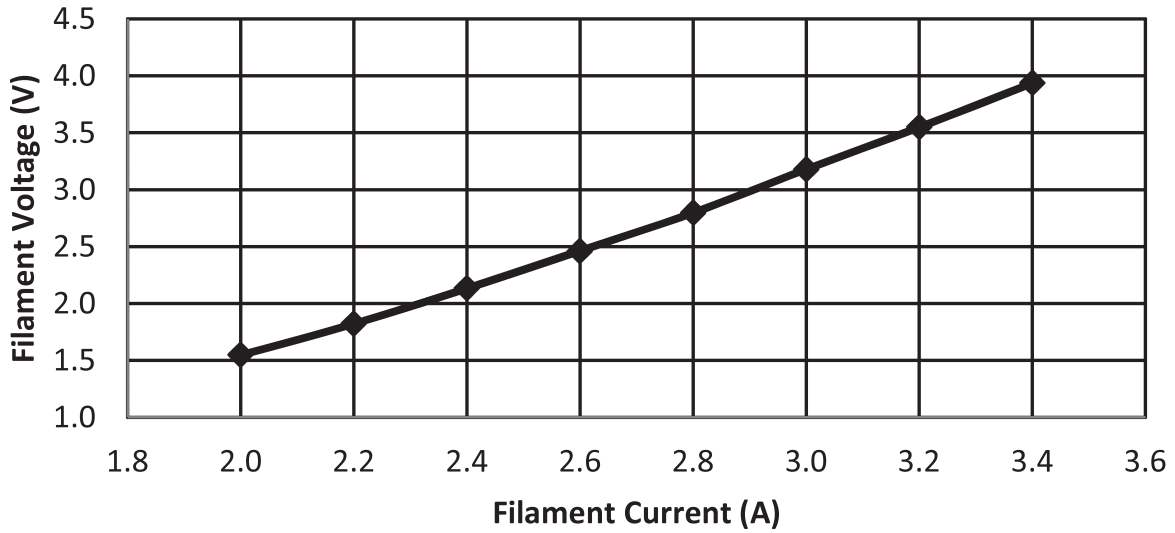
The PI-200 is a 200 kV, air cooled stationary anode metal ceramic x-ray source specifically designed for portable imaging applications.

X-Ray Tube Specifications

Maximum Tube Voltage	200 kV
Continuous Rating	900 W
Focal Spot EN-12543	D =3.0mm
Filament Current Maximum	3.8 A
Filament Voltage Typical @ 4.0A	4.6 V
Minimum kV for full power	35kV
Inherent Filtration	0.8mm Be
Target Material	W
Target Angle	20°
Radiation Coverage	40° X 60°
Cooling Medium	Air
Weight	2.2 kg



PI-200 Filament V-A Curve



PI-200 Emission - 900 W

