

OPTICA™ 50 MOTORIZED COLLIMATOR



OVERVIEW

The Optica™ 50 is a motorized collimator for integration in high-end radiography and fluoroscopy systems. This collimator has no dials or buttons and is operated remotely through its CAN-bus.

The Optica 50 is standard equipped with a long-life power LED that projects a bright light field on the exposed area.

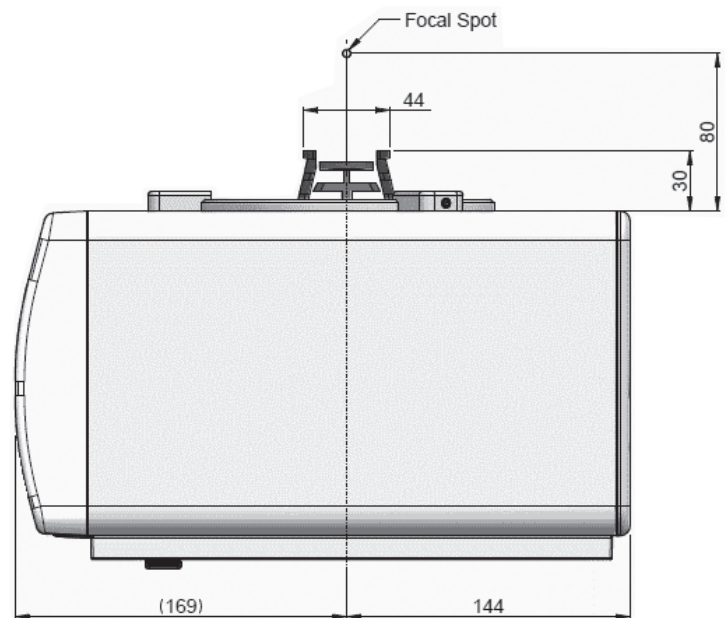
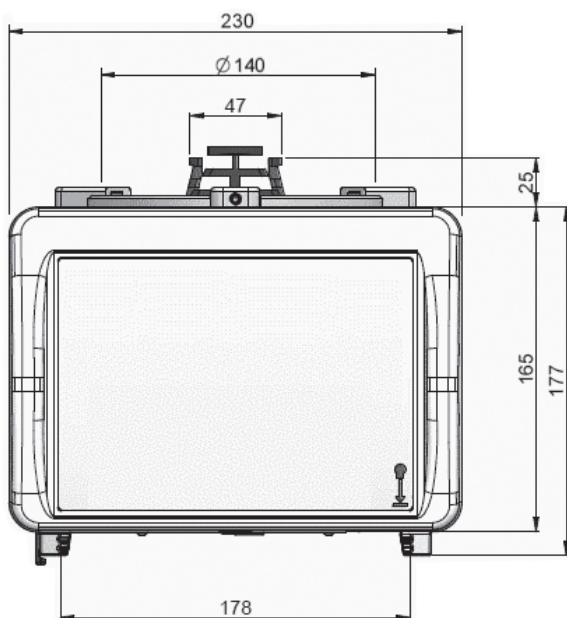
Aligning the detector under the X-ray beam is made easy with a center laser line.

Beam filtration is possible with the optional motorized filter module. Choose between no filtration or three different aluminum plus copper combinations.

Shutter calibration and customization of user settings are performed with a software tool by connection a laptop.

APPLICATIONS

- Stationary X-ray equipment for radiography and fluoroscopy up to 150 kV tube voltage.



OPTICA 50

Technical Specifications

Application	Stationary X-ray equipment for radiography and fluoroscopy up to 150kV X-ray tube voltage.
Shutters	Multilayer, 4 pairs of shutters in 2 layers.
Mode of operation	Remote control (motor-driven)
Collimation	Rectangular field Min. 00 x 00 cm Max. 48 x 48 cm at 1m SID
Attenuation equivalent IEN-IEC 60601-1-3:2008	1.2 mm Aluminium at 75kV
Added filtration (optional) IEC 60601-1-3; \$3.3 / \$7.3 / \$7.5	2 additional motor driven filters, manually selectable or by CAN-bus. Selectable filter combinations: <ul style="list-style-type: none">• No added filtration• Filter 1 =1 mm Al + 0.1 mm Cu• Filter 2 =1 mm Al + 0.2 mm Cu• Combined: 2 mm Al + 0.3 mm Cu
Remote comm.protocol	CAN bus
Bucky center line laser EN-IEC 60825-1	Class 1 laser
Light source	Power LED, white with adjustable illuminance..
Light field timer	Adjustable timer. Factory setting: 20 seconds
Light field illuminance IEC 60601-2-54:2009	>230 lx with illuminance set to 100% (1m from focus, 35x35cm)
Light field contrast IEC 60601-2-54:2009	>4:1 (35x35cm at 1m SID)
Leakage radiation IEC 60601-1-3:2008	≤0.5 mGy/hr (at 1m, 150kVp, 4mA)
Mounting distance (of mounting plane from focus)	80 ± 1mm
Accessory guides	One pair of rails for 2 accessories, maximum 177mm wide and 2mm thick
Power consumption	24V DC, 35 VA max
Weight	9.0 kg
Operating conditions	Ambient temperature +10°C to +40°C. Atm. pressure 700-1060 hPa. Relative humidity 30% to 95%, non condensing
Compliance	Conforms to the requirements of FDA and the European Medical Device Directive (CE mark Class IIb)

MORE INFORMATION

Varex Imaging Corporation is a leading innovator, designer and manufacturer of X-ray imaging components, which includes tubes, digital flat panel detectors and other image processing solutions, which are key components of X-ray imaging systems.

For more information, please contact a Varex Imaging sales representative in your territory. Contact details are available at www.vareximaging.com/contact information.



VAREX
IMAGING

Headquarters
U.S.A
Salt Lake City, UT 84104
Tel: 801-972-5000

Connect & Control
The Netherlands
Tel: +31 315 659150
Netherlands.CNC@vareximaging.com

For a complete listing of our global offices,
visit www.vareximaging.com

©2021 Varex Imaging Corporation. All Rights reserved.
Production of any of the material contained herein in any format or media without the express written permission of Varex Imaging Corporation is prohibited.

The data in this document is for reference only. Contents in this document are subject to change without notice.