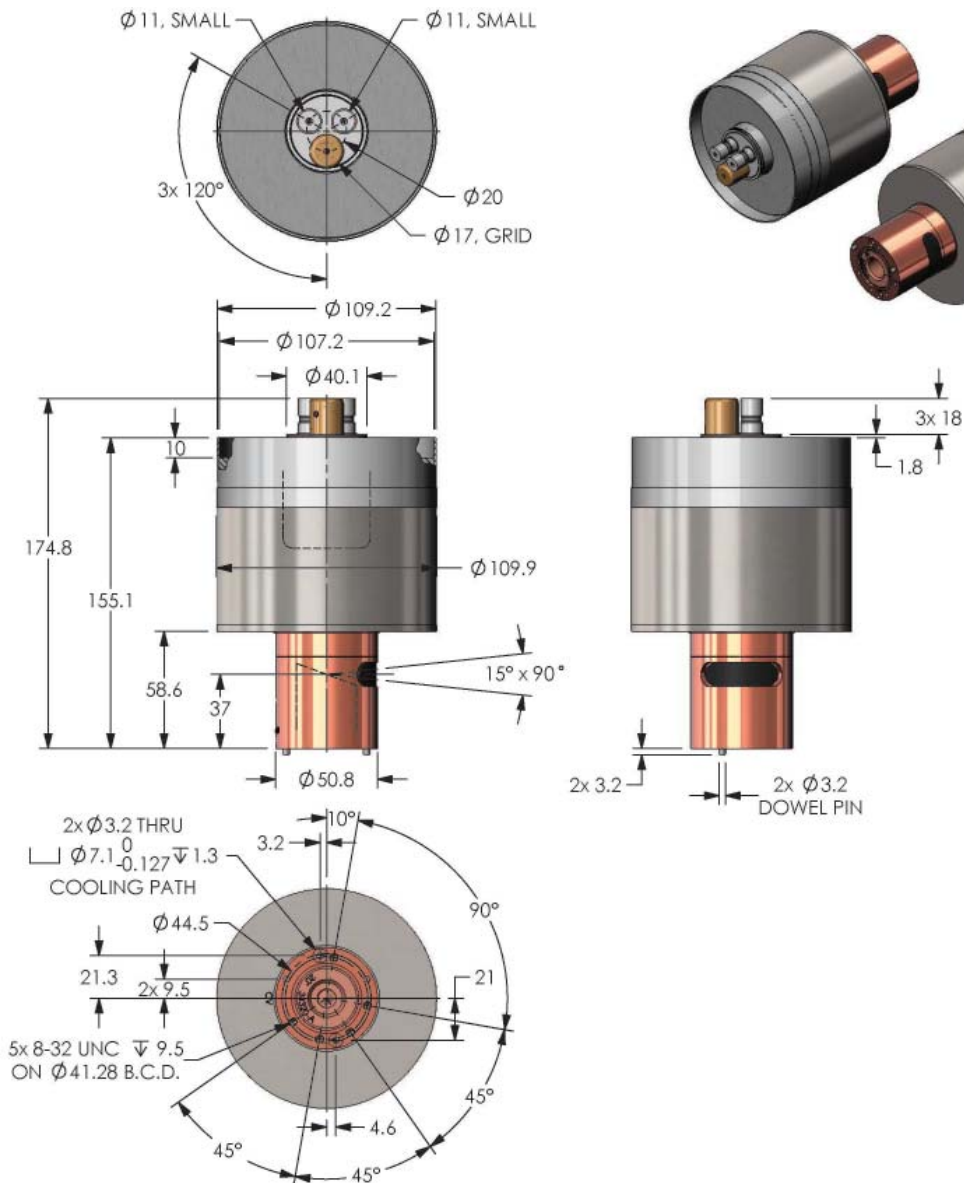


X-Ray Tube Specifications

Maximum Peak Voltage	160 kV	Target Angle	20°
Cathode to Ground	160 kV	Radiation Coverage	90° x 15°
Maximum mA	8.0 mA Continuous Operation	Target Type	W-Re
Maximum Filament Current	4.6 Amps	X-Ray Tube Assembly Permanent Filtration	2 mm Be
Focal Spot	1.6 mm W ± 0.4 mm 1.5 mm L ± 0.5 mm	Weight (approx.)	2.4 kg
Maximum Continuous Rating	1280 W with 4 Liter/min cooling flow		



Operation

General

The control of the high voltage and the filament current as well as the design of the cooling unit is the responsibility of the equipment manufacturer.

Cooling of the Anode

It is the responsibility of the customer to ensure that the cooling medium flow meets the required cooling conditions. Insufficient cooling of the anode can lead to the destruction of the anode, therefore cooling must be switched on before the application of high voltage.

Quality of Cooling Medium

75% Water / 25% Ethylene Glycol Anti-freeze mix.

Control of Cooling Medium

Flow, pressure, and temperature of the cooling medium at the inlet to the tube or the tube assembly must be appropriately monitored. High voltage must be terminated when the pressure or flow rate fall below the minimum level or when the temperature exceeds the maximum level. When the tube is switched off the coolant flow must continue for at least 2 minutes in order to protect the anode from destruction.



Warning

Beryllium windows transmit a very high level of long wavelength X-radiation, which can injure human tissue. Injury may occur from even very short exposures to the primary X-ray beam. Follow all precautions necessary to avoid radiation exposure to humans.

The radiation dose rate cannot be accurately measured with conventional radiation measurement instruments. Radiation intensity in each installation will vary, and calibration must include the effects of long wavelength X-radiation.

Fumes from beryllium metal (or its compounds) as well as dust can be hazardous if inhaled. During use, corrosion products may occur on the beryllium window, but these should not be scraped off, machined, or otherwise removed. Tube unit disposal should conform to federal, state, and local regulations governing beryllium.

Lead metal (or its compounds) as well as dust can be hazardous in case of skin contact, eye contact, ingestion, or inhalation. Do not scrape, machine, file, or otherwise remove.