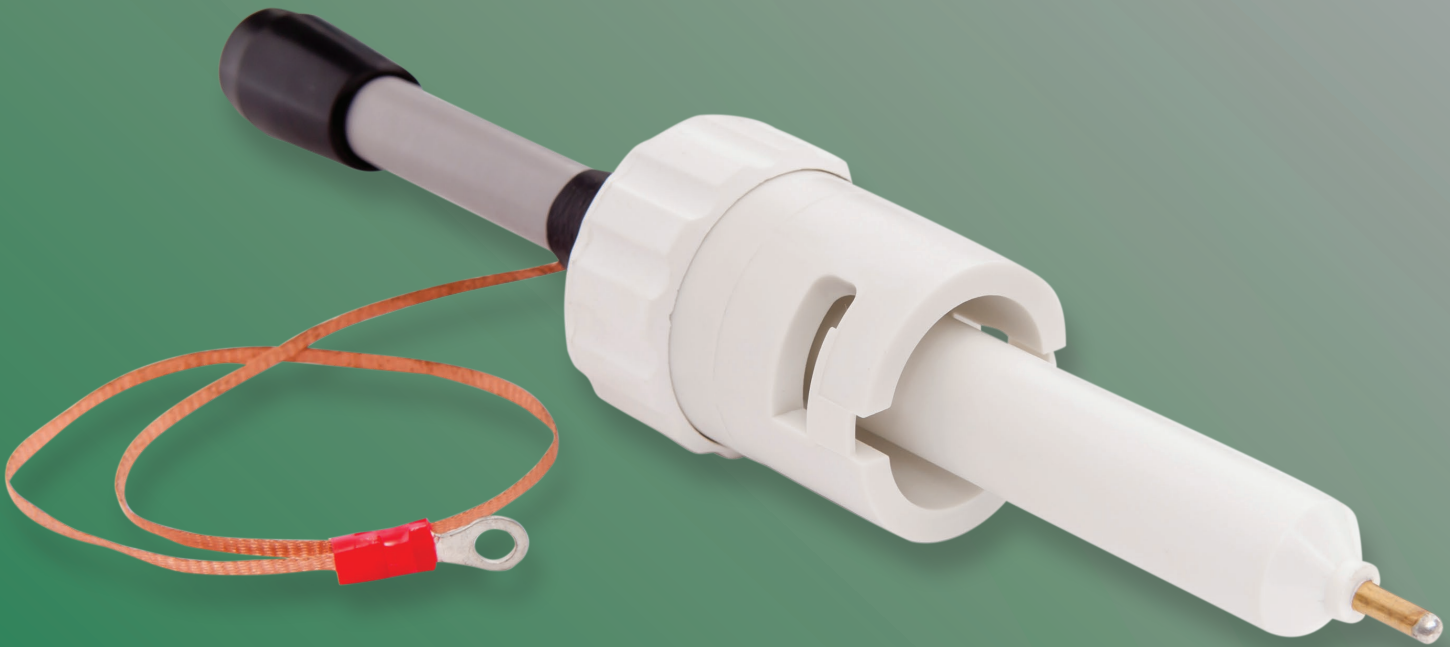


CA3-TYPE CONNECTOR

for up to 60 kVDC



Varex Imaging high voltage mammography cable assemblies are single conductor 60 kVDC rated high voltage cables terminated with straight or 90° angled CA3 connectors that comply with NEMA XR-7, and are type tested under the severest life (aging) conditions. Every connector is equipped with a 30 cm (12") long ground lead connected to the cable shielding.

FEATURES

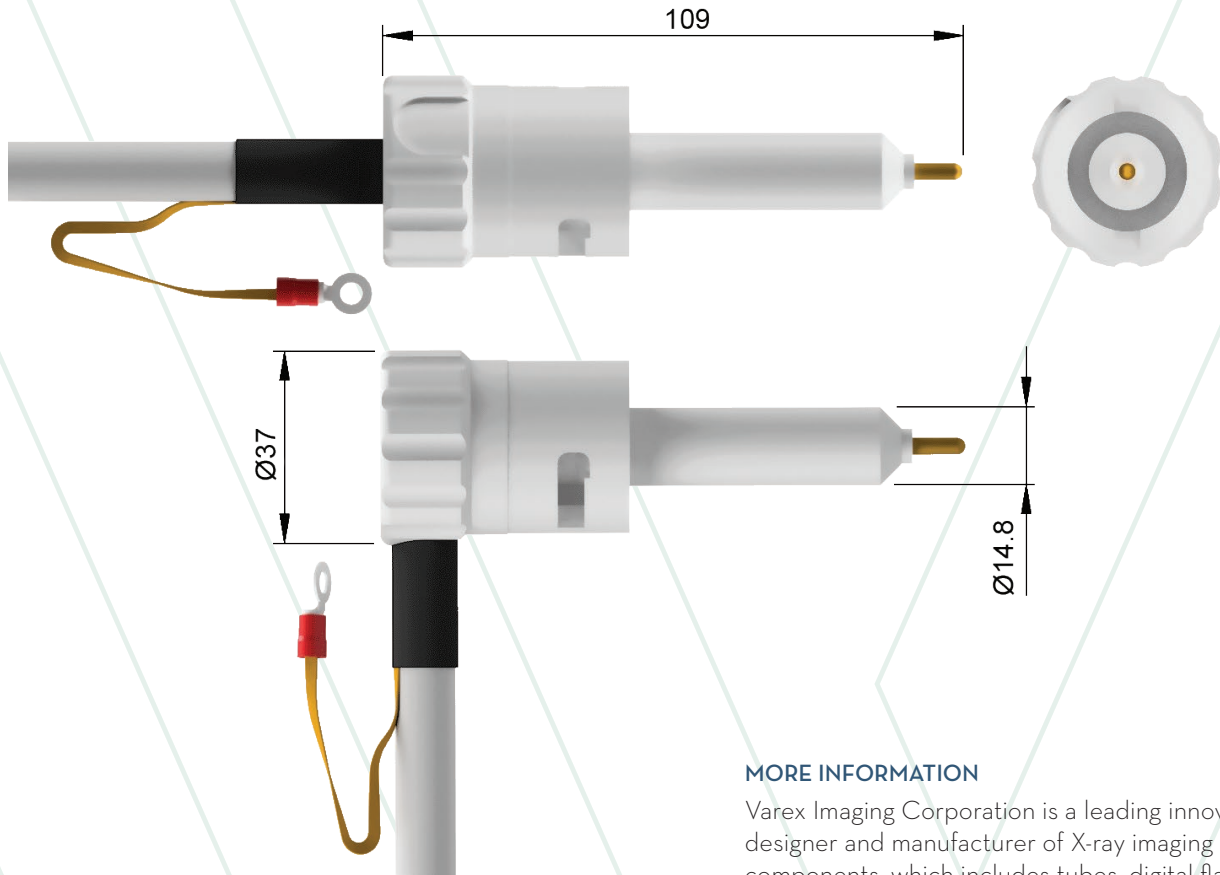
- Mammoflex cable with super small diameter (11.1 mm).
- Excellent cable flexibility.
- 95% cable shielding braid coverage.
- Very high insulation resistance.
- Straight or 90° angled terminations.*

DESCRIPTION

The connector body is made from a UL94 5VA approved high insulating thermoplastic material and is filled with an insulation compound.

CA3-TYPE CONNECTOR DIMENSIONS

(Dimensions in mm)



Technical Specifications

Number of contacts	1
Rated voltage	60 kVDC
Type test voltage between pin and ground lead ...	90 kVDC / 15 min
Maximum current rating	25 A
Maximum continuous operating temperature	100°C / 212°F

Installation

Mammography cable terminations are installed in a receptacle with silicone grease. A tube of silicone grease is supplied with each cable assembly. The installation of the plug into the receptacle is very easy with the bayonet lock.

MORE INFORMATION

Varex Imaging Corporation is a leading innovator, designer and manufacturer of X-ray imaging components, which includes tubes, digital flat panel detectors and other image processing solutions, which are key components of X-ray imaging systems.

For more information, please contact a Varex Imaging sales representative in your territory. Contact details are available at www.vareximaging.com/contact-information.

Varex Imaging Corporation

Headquarters

Salt Lake City, UT
 Tel: 801-972-5000
 Fax: 801-973-5050

Connect & Control

The Netherlands
 Tel: +31 315 659150
Netherlands.CNC@vareximaging.com

©2017 Varex Imaging Corporation.
 All Rights reserved.
 Production of any of the material contained herein in any format or media without the express written permission of Varex Imaging Corporation is prohibited.