

CA24-TYPE CONNECTOR

for up to 75 kVDC



The Varex Imaging 75 kVDC rated CA24 3-pin high voltage cable plug is an alternative for the solid rubber plug's available in the market. The CA24 is easy to install, no grease required and is maintenance free.

FEATURES

- 80°C rated plug.
- Pre-mounted and replaceable **maintenance-free** silicone jacket for greaseless installation.
- A wide choice of **small diameter**, highly flexible cable types with 95% shielding coverage, rated up to 75 kVDC.
- A **compact** and **small diameter** termination.
- Ringnut and C-plate can be mounted afterwards. This allows the connector to be easily passed through small cable hoses.

DESCRIPTION

The 80°C rated plug is made of high insulation thermoplastic material and is filled with an insulation compound. The contact pins are countersunk to protect against accidental damage. Positioning of the contact pins during installation is very easy due to the hard plastic body. The very small outer diameter of the plug allows an easy feed-through in C-arms and cable hoses. The ring nut can be slipped over the plug afterwards.

Technical Specifications

Maximum continuous voltage between contact pins and grounding flange	75 kVDC*
Number of contacts pins	3
Maximum continuous voltage between pins	4 kVDC*
Maximum continuous current (each pin)	10 A
Maximum continuous operating temperature	80°C / 176°F

* Depending on the cable type used.

Cable Types

Choice of cables that can be terminated with Mini75 connector:

T3 (3 conductors, 75 kVDC)

L3 (3 conductors, 75 kVDC)

Installation

Greaseless installation with the advanced interface seal, i.e. silicone rubber jacket. The silicone oil provided functions as a lubricant during installation. The jacket is replaceable when necessary during system preventive maintenance or due to accidental damage during installation.

MORE INFORMATION

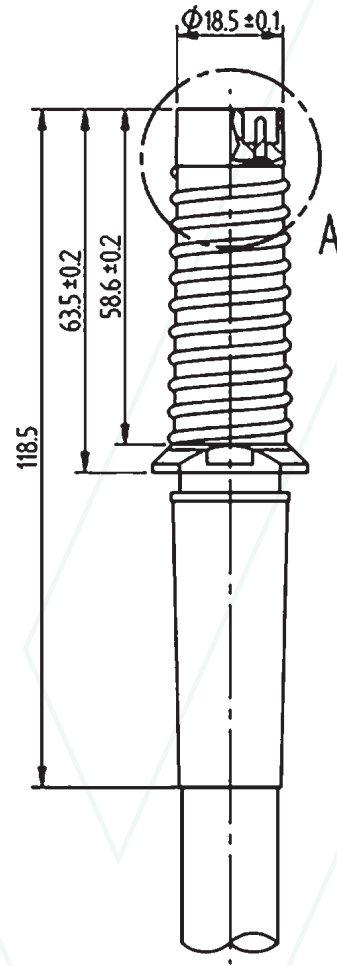
Varex Imaging Corporation is a leading innovator, designer and manufacturer of X-ray imaging components, which includes tubes, digital flat panel detectors and other image processing solutions, which are key components of X-ray imaging systems.

For more information, please contact a Varex Imaging sales representative in your territory. Contact details are available at www.vareximaging.com/contact-information.

Revision: 2 11/2017

CONNECTOR DIMENSIONS

(Dimensions in mm)



Varex Imaging Corporation

Headquarters

Salt Lake City, UT

Tel: 801-972-5000

Fax: 801-973-5050

Connect & Control

The Netherlands

Tel: +31 315 659150

Netherlands.CNC@vareximaging.com

©2017 Varex Imaging Corporation.

All Rights reserved.

Production of any of the material contained herein in any format or media without the express written permission of Varex Imaging Corporation is prohibited.

*The data in this document is for reference only.
Contents in this document are subject to change without notice.*