

CA22 CONNECTOR

for up to 160 kVDC



Varex Imaging CA22 high voltage cable assemblies are X-ray cables terminated with 4-pin silicone rubber terminations, rated up to 160 kVDC. These assemblies are type tested under the severest life (aging) conditions.

FEATURES

- Highly flexible cable type with 95% shielding coverage, rated for up to 160 kVDC.
- High temperature 180°C rated plug.
- Maintenance-free plugs due to spring loaded cable clamp device (constant pressure).

DESCRIPTION

The plug is made from a high insulation, high temperature resistant silicone rubber. The metal parts (grounding flange) are made from aluminum for a good conduction and the contact pins are gold plated.

Technical Specifications

Number of contacts	4
Rated voltage	160 kVDC
Max. contact current @ 100°C	10A
Maximum continuous operating temperature	180°C / 356°F

Cable Types

The following cable types can be terminated with the CA22 connector:

N3 (3 conductors, 160 kV cable)

Installation

When installing the plug in its receptacle a little amount of silicone oil must be applied onto the silicone rubber cone to prevent high-voltage arcing along the connector surface. The silicone oil functions as a lubricant and swelling agent for the rubber cone. An installation kit with the cable which consists of a cleaning kit, silicone oil and a cable clamp including springs and bolts to install the connector is provided standard. The springs will give the connector a constant pressure independent on deformation due to possible heat variations in the tube.

MORE INFORMATION

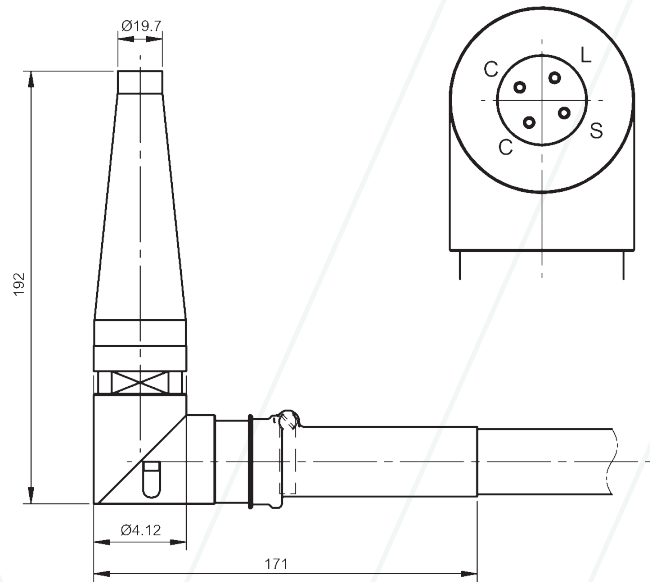
Varex Imaging Corporation is a leading innovator, designer and manufacturer of X-ray imaging components, which includes tubes, digital flat panel detectors and other image processing solutions, which are key components of X-ray imaging systems.

For more information, please contact a Varex Imaging sales representative in your territory. Contact details are available at www.vareximaging.com/contact-information.

Revision: 2 11/2017

CONNECTOR DIMENSIONS

(Dimensions in mm)



Varex Imaging Corporation

Headquarters

Salt Lake City, UT
Tel: 801-972-5000
Fax: 801-973-5050

Connect & Control

The Netherlands
Tel: +31 315 659150
Netherlands.CNC@vareximaging.com

©2017 Varex Imaging Corporation.
All Rights reserved.

Production of any of the material contained herein in any format or media without the express written permission of Varex Imaging Corporation is prohibited.

*The data in this document is for reference only.
Contents in this document are subject to change without notice.*