

## CA16 CONNECTOR

for up to 160 kVDC



Varex Imaging CA16 high voltage cable assemblies are X-ray cables terminated with 3-pin (O3) Extended Federal Standard terminations rated up to 160 kVDC for medical and industrial applications. These assemblies are type tested under the severest life (aging) conditions.

### FEATURES

- Highly flexible cable types with 95% shielding coverage, rated for up to 160 kVDC.
- High temperature 100°C rated plugs with replaceable spring contact pins.
- Small diameter flange (cable assemblies are slipped in easily) ring nut and oil-seal flange for positive grounding to be mounted later.

### DESCRIPTION

The plug is made from a UL 94 5VA approved high insulation thermoplastic material and is filled with an insulating compound. The metal parts (directly molded inserts, spring contact pins and grounding flange) are made from brass for a good conduction. As a unique feature, the contact pins are replaceable by means of a special tool in case of damage. The small outer diameter of the plug allows an easy feed-through in C-arms and cable hoses. For long-lasting flexibility the soft PVC-sleeve is directly molded on to the plug.

## Technical Specifications

Number of contacts .....	3
Rated voltage .....	160 kVDC
Max. contact current @ 100°C .....	10A
Maximum continuous operating temperature .....	100°C / 212°F
Outer diameter .....	40mm / 1.575 in

## Cable Types

The following cable types can be terminated with CA4-type connectors

J3 (3 conductors, 160 kV, small diameter cable)

N3 (3 conductors, 160 kV cable)

## Installation

The plug can be installed in transformer oil with patented oil-seal mounting flange set to suit CT and likewise systems.

### MORE INFORMATION

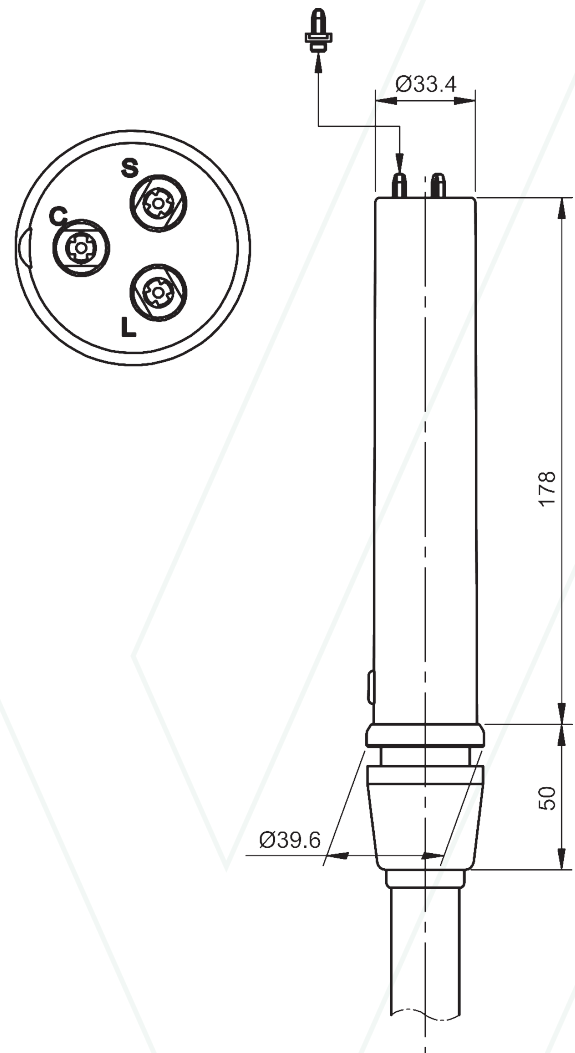
Varex Imaging Corporation is a leading innovator, designer and manufacturer of X-ray imaging components, which includes tubes, digital flat panel detectors and other image processing solutions, which are key components of X-ray imaging systems.

For more information, please contact a Varex Imaging sales representative in your territory. Contact details are available at [www.vareximaging.com/contact-information](http://www.vareximaging.com/contact-information).

Revision: 2 11/2017

## CONNECTOR DIMENSIONS

(Dimensions in mm)



## Varex Imaging Corporation

### Headquarters

Salt Lake City, UT

Tel: 801-972-5000

Fax: 801-973-5050

### Connect & Control

The Netherlands

Tel: +31 315 659150

[Netherlands.CNC@vareximaging.com](mailto:Netherlands.CNC@vareximaging.com)

©2017 Varex Imaging Corporation.

All Rights reserved.

Production of any of the material contained herein in any format or media without the express written permission of Varex Imaging Corporation is prohibited.

*The data in this document is for reference only.  
Contents in this document are subject to change without notice.*