

L3-TYPE (LOCAFLEX)

75 kVDC rated High Voltage Cable



Highly flexible, small diameter, low capacitance, 3-conductor, 75 kVDC rated rubber insulated high voltage cable.

FEATURES

- Low capacitance.
- High flexibility.
- Small diameter.
- 95% shielding braid coverage.
- Choice of PVC or PUR jackets.
- RoHS & REACH compliant.

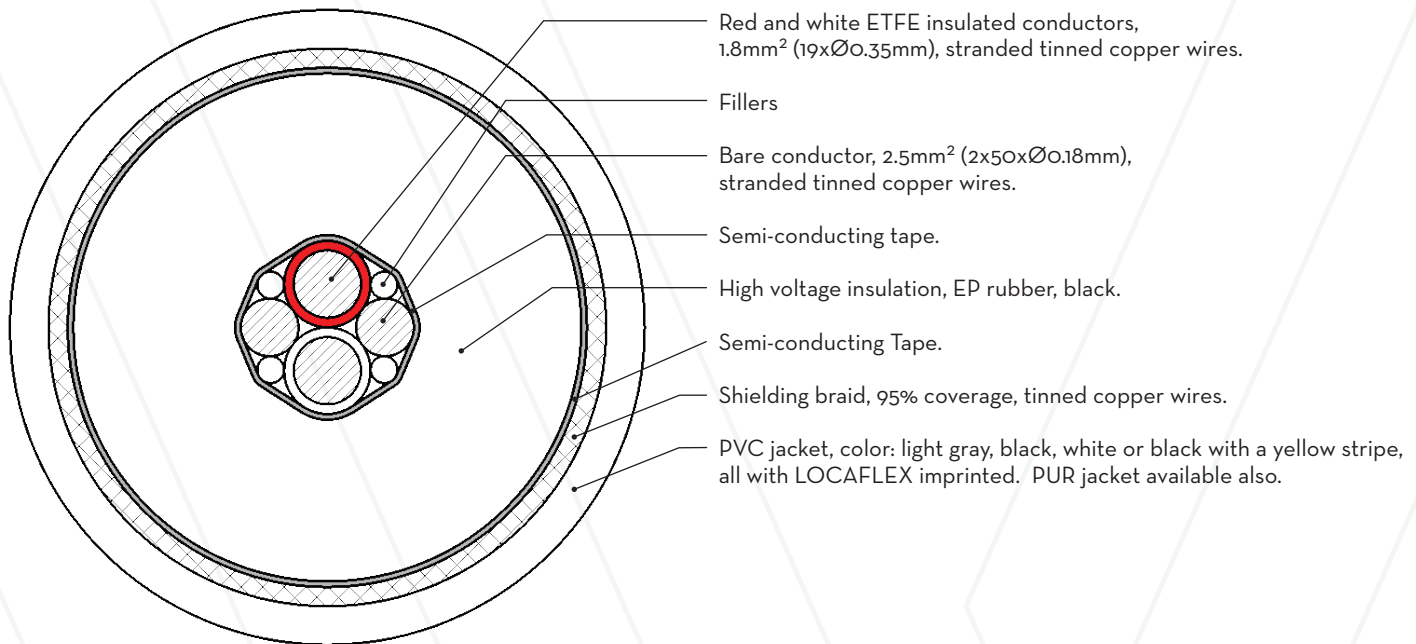
DESCRIPTION

This 3-conductor, rubber insulated high voltage cable's typical applications are:

- Medical X-ray equipment like standard X-ray, computed tomography and angiography equipment.
- Industrial and scientific X-ray or electron beam equipment like electron microscopy and X-ray diffraction equipment.
- Low power high voltage test- and measuring equipment.

CONSTRUCTION L3-TYPE CABLE

(Illustration is not to scale)



Technical Specifications

Number of conductors	3
Rated voltage	75 kVDC
Routine test voltage (high voltage insulation)	120 kVDC / 10 min
Rated voltage (conductor insulation)	750 VACrms / 1000 VDC
Maximum conductor current	1.8 mm ² : 18 A; 1.25 mm ² : 11 A
Corona level at 75 kVDC	≤10 pC
Nominal outside diameter	16.7mm ±0.5 mm / 0.657 in ±0.020 in
Insulation resistance core to shield @ 20°C	≥5x10 ¹² Ω·m / ≥15x10 ¹² Ω·ft
Conductor resistance bare cond. @ 20°C	6.9 mΩ/m / 2.2 mΩ/ft / ±5%
Conductor resistance insul. cond. @ 20°C	10.0 mΩ/m / 3.1 mΩ/ft / ±5%
Shield resistance @ 20°C	10.9 mΩ/m / 3.6 mΩ/ft / ±5%
Capacitance between conductors and shield	145 pF/m / 44 pF/ft / ±10%
Capacitance between ins. cond. and bare cond.	479 pF/m / 157 pF/ft / ±10%
Capacitance between insulated conductors	273 pF/m / 90 pF/ft / ±10%
Cable min. bending radius (static installation)	33 mm / 1.3 in
Cable min. bending radius (dynamic installation)	66 mm / 2.6 in
Operating temperature	-10/+70°C / +14/+158°F
Storage temperature	-40/+70°C / -40/+158°F
Net weight	380 kg/km

MORE INFORMATION

Varex Imaging Corporation is a leading innovator, designer and manufacturer of X-ray imaging components, which includes tubes, digital flat panel detectors and other image processing solutions, which are key components of X-ray imaging systems.

For more information, please contact a Varex Imaging sales representative in your territory. Contact details are available at www.vareximaging.com/contact-information.

Varex Imaging Corporation

Headquarters
 Salt Lake City, UT
 Tel: 801-972-5000
 Fax: 801-973-5050

Connect & Control
 The Netherlands
 Tel: +31 315 659150
Netherlands.CNC@vareximaging.com

©2017 Varex Imaging Corporation.
 All Rights reserved.
 Production of any of the material contained herein in any format or media without the express written permission of Varex Imaging Corporation is prohibited.