

Product Description

The PaxScan 4343DX-I is designed for demanding industrial x-ray imaging applications, providing framerates up to 25 fps in full frame 3x3 binning mode. It is the latest generation, high dynamic range 3k by 3k sensor and yields ASTM-2597 detector resolutions on the order of 150µm. Tube energies up to 320 kV may be used. The 4343DX-I has been designed to provide maximum imaging area and radiation hardness with minimum footprint.

Technical Specifications

Receptor Type	Amorphous Silicon
Conversion Screen	DRZ Standard, CsI:TI
Pixel Area - Total	42.7cm (h) x 42.7cm (v) (16.8 x 16.8 in)
Pixel Matrix - Total	3,072 (h) x 3,072 (v)
Effective	3,052 (h) x 3,052 (v)
Pixel Pitch	139 µm
Limiting Resolution	3.6 lp/mm @ 4 fps (1 x 1)
SRb (with DRZ Standard)	152µm*
Efficiency (DRZ Standard/aluminum/SNR@1 mGy)	550*
Quantum-limited Dose (2x2)	8 nGy /frame
Energy Range	40 - 320 kV
Fill Factor	60%
Lag	<3% (first frame)
Scan Method	Progressive
Data Output	Gigabit Ethernet
A/D Conversion	16-bit
Cooling	Passive
Radiation Tolerance	>10 kGy (1MRad)

* According to ASTM E2597-14 with DRZ standard

*PaxScan is a Registered Trademark of Varex Imaging Corporation

Power Requirements

Power Dissipation	18 watts (cont.) 25 watts (max.)
Power Supply/Adaptor	100-240 VAC, 50-60 Hz

Mechanical

Weight	approx. 19.2 kg (43 lbs)
Housing Material	Aluminum
Sensor Protection	Carbon fiber and aluminum
Mounting Provisions	Blind, threaded mounting holes on the back.

Image Acquisition Modes (Current)

Fluoro:	3072 x 3072 (1x1) 4fps
	1536 x 1536 (2x2) 15fps
	1024 x 1024 (3x3) 25fps
	1024 x 1024 (1x1) center zoom 15 fps

Additional Modes: Consult Varex Imaging Corporation

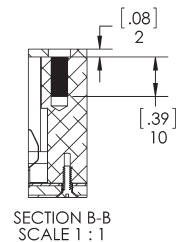
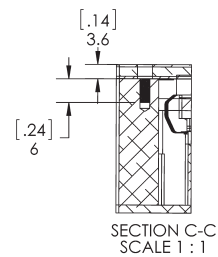
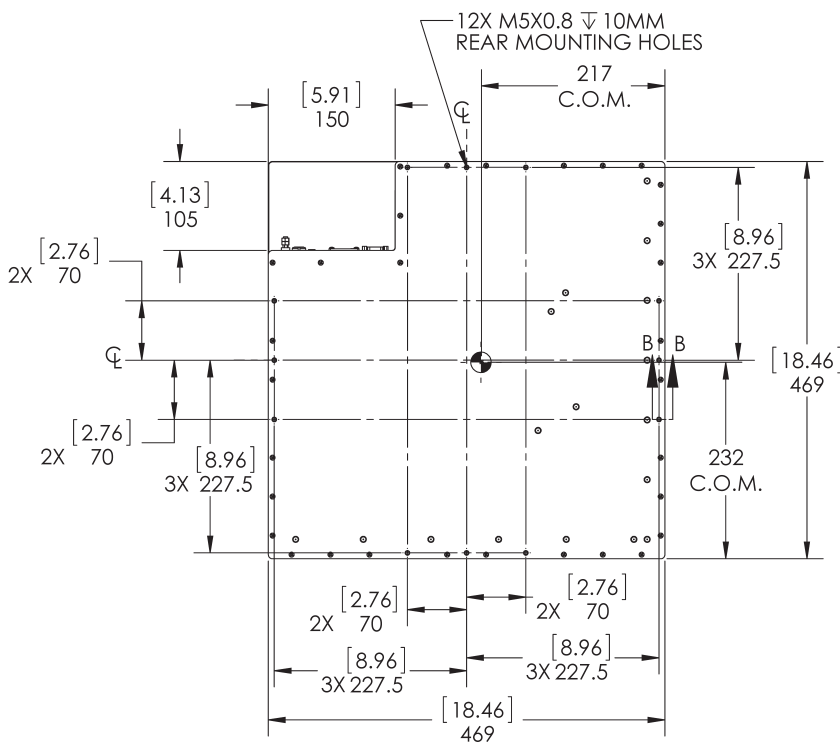
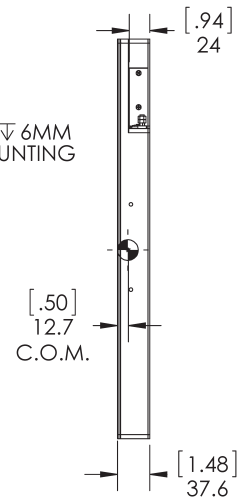
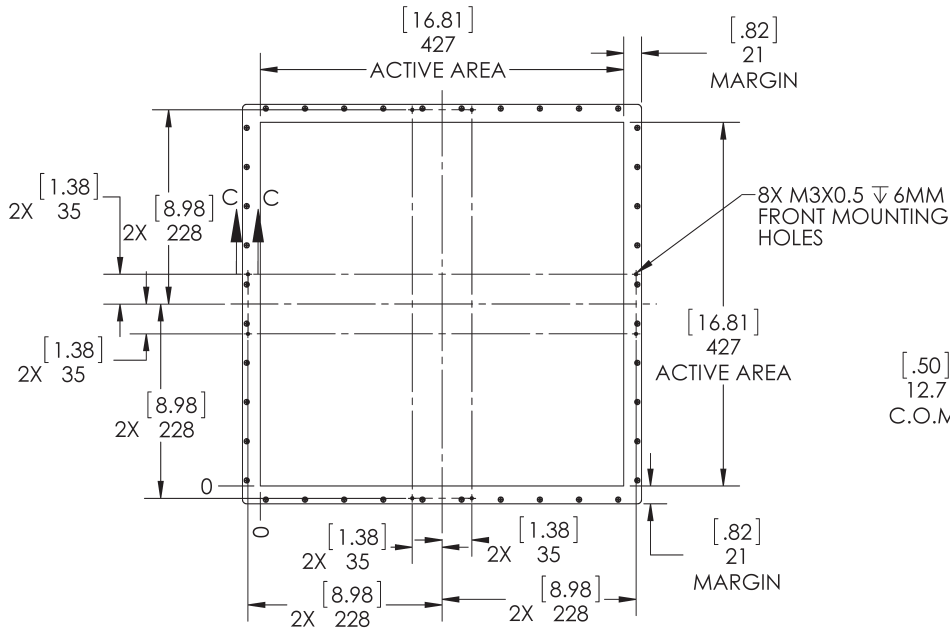
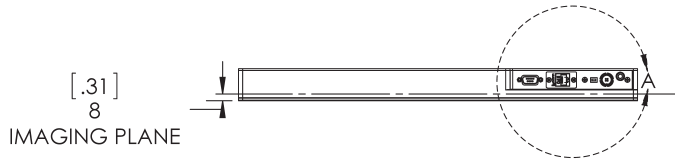
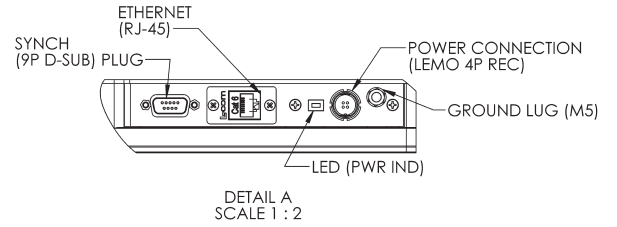
Environmental

Temperature Limit	-10 - 40°C
Relative Humidity	10 - 90% Non-Condensing
Atmospheric Pressure	70 kPa - 106 kPa
Shock Tolerance	20G (any direction no power applied)

Regulatory

U.S.	UL 61010-1:2012
Canada	CAN/CSA-C22.2 No. 61010-1:2012
Europe	EN 61010-1:2010

Dimensions are for reference only
 Dimensions are in mm [inches]

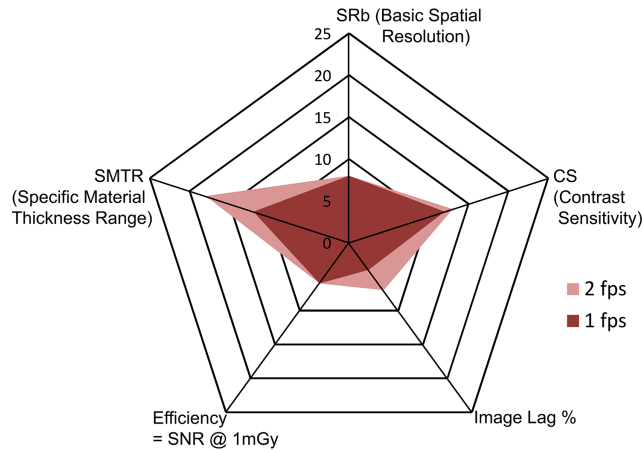


Detector Characterization Charts in accordance with ASTM E2597-14 Standard Practice for the Manufacturing Characterization of Digital Detector Arrays

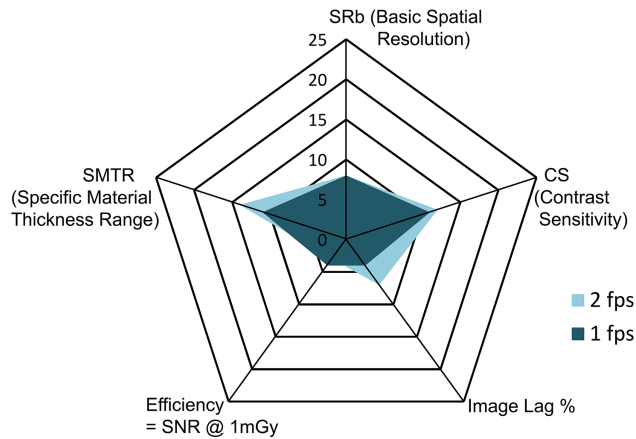
NOTE: SMTR, CS and Lag quality numbers all improve with higher frame rate. Spider charts based on DRZ standard Scintillator.

Full Resolution - 3pF Gain setting - 2fps

Aluminum 6061



Inconel 718



Titanium 6Al4V

