



### **Product Description**

PaxScan 2520DX imagers provide industry leading CBCT and Panoramic image quality for dental applications. Varex Imaging’s amorphous silicon based detectors are the gold standard for CBCT in medical, dental and industrial applications.

Amorphous silicon brings key advantages unmatched by other technologies, including:

- radiation hardness > 1MRad
- widest input energy range
- immunity from single photon events in the substrate
- excellent low dose performance
- proven 3-D soft-tissue capability

Varex Imaging’s extensive dental product line allows the OEM to easily integrate multiple panel sizes. The Virtual CP software interface is common across all the panels and the entire product line is offered with Gigabit Ethernet.

### **Technical Specifications**

Receptor Type .....	Amorphous Silicon
Conversion Screen .....	Direct Deposit CsI, DRZ Plus
Pixel Area Total .....	19.5 x 24.4 cm (7.68 x 9.6 in.)
Pixel Matrix Total .....	1,536 x 1,920 (1 x 1) 768 x 960 (2 x 2)
Pixel Pitch .....	127 µm <sup>2</sup>
Limiting Resolution .....	3.94 lp/mm
MTF, X-Ray .....	>48% @ 1 lp/mm (1 x 1), CsI screen
Energy Range .....	40 - 160 kVp
Fill Factor .....	57%
Image Capture .....	Gigabit Ethernet
Scan Method .....	Progressive
A/D Conversion .....	16-bit
Frame Rate .....	12.5 fps (1 x 1) 30 fps (2 x 2)
Data Output .....	Gigabit Ethernet
Exposure Control .....	Opto Coupled, External Sync, Expose OK

### **Software**

The software release includes ViVA™, a basic application for image acquisition and viewing on an end-user workstation running Microsoft® Windows™. The developer’s software package includes a “Virtual Command Processor” software interface that performs detector calibration, detector set-up, image acquisition, and image corrections. ViVA™ includes file type translators for .viv, .raw, .jpg, and .bmp file formats.

### **Power**

Power Dissipation .....	12 Watts nominal power consumption 11 to 35V input range, 15V typical
Power Supply/Mains .....	100 - 240 VAC, 47 - 63 Hz

### **Mechanical**

Weight .....	5.53 lbs. (2.51 kg)
Housing Material .....	Aluminum
Sensor Protection Material .....	Carbon fiber plate (2.5 mm thick) and aluminum

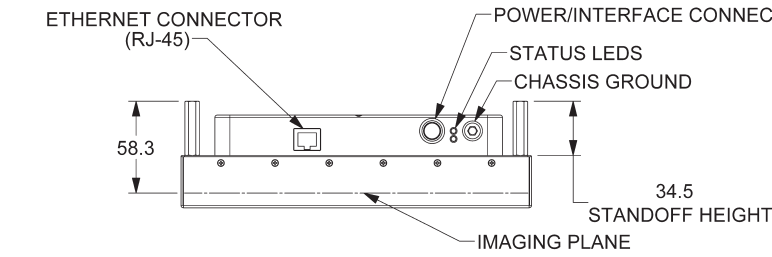
### **Environmental**

Temperature Range - Operating .....	10°C to 35°C (max.) (measured on the back cover)
(Ambient) - Storage .....	-20°C to +70°C
Humidity - Operating & Storage (non-condensing) .....	10% to 90%
Atmospheric Pressure - Operating & Storage .....	70 kPa to 106 kPa

### **Regulatory**

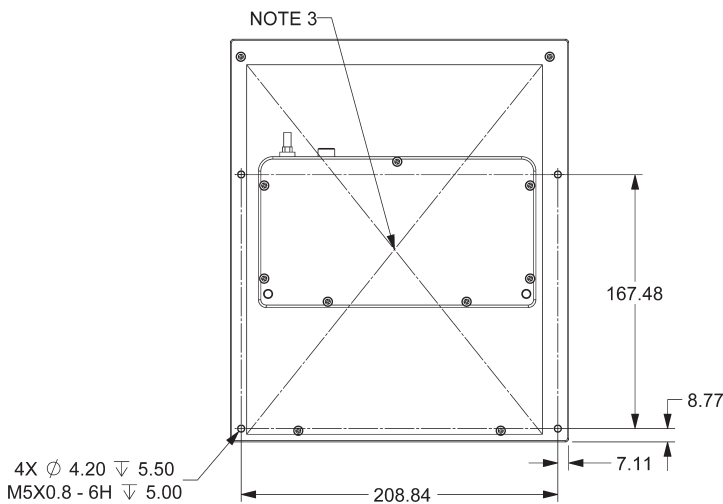
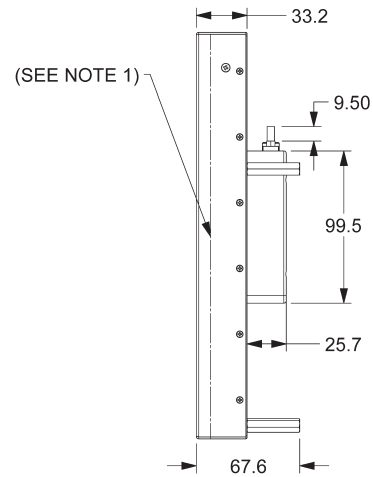
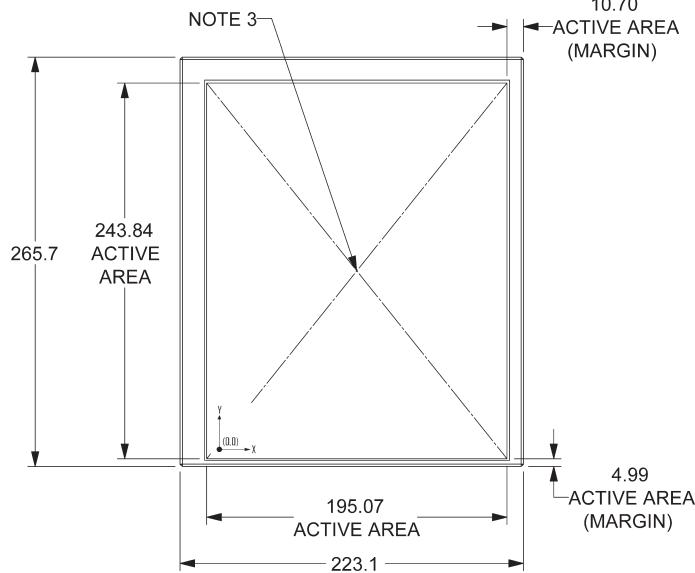
U.S. ....	ANSI/AAMI ES60601-1:2005
Canada .....	CAN/CSA C22.2 No. 60601-1:08
EU .....	IEC/EN 60601-1:2005

®PaxScan is a Registered Trademark of Varex Imaging Corporation



Dimensions are for reference only

Dimensions are in mm



Notes:

1. Top surface of Active Area
3. Indicates center of Active Area
4. Input Voltage = 12 to 32V
5. Max Amps = .52A @ 24V
6. Power Dissipation = 12.48W