



Note: Document originally drafted in the English language.
注释：文件最初用英语起草。

Product Description

The M-153 is a 2.75" (70 mm) 49.0 kV, 65 kJ (90 kHU) maximum anode heat content, rotating anode insert. This insert is specifically designed for use in GE 700, and 800 systems. The insert features a 7° and 12° molybdenum alloy target and is available with the following nominal focal spots:

0.1 - 0.3
IEC 60336

Nominal Anode Input Power

Small - 1.0 kW IEC 60613
Large - 4.0 kW IEC 60613

For the equivalent anode input power of 45 Watts

This insert is intended for use in the M52.2 Housing.

All trademarks property of the respective manufacturer

产品说明

M-153 是一款具有 2.75" (70 mm) 靶盘, 49.0 kV, 65 kJ (90kHU)最大阳极热容量的旋转阳极X线管芯。这插入物具体地被设计用于GE 700 和 800 系统。该管芯的靶盘结构为7°和12°靶角, 钼合金靶材, 并可与下列标称焦点一起使用:

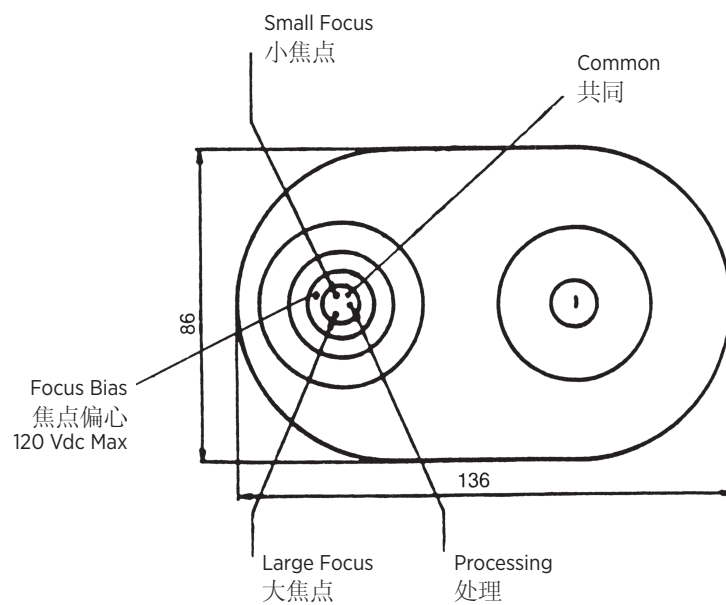
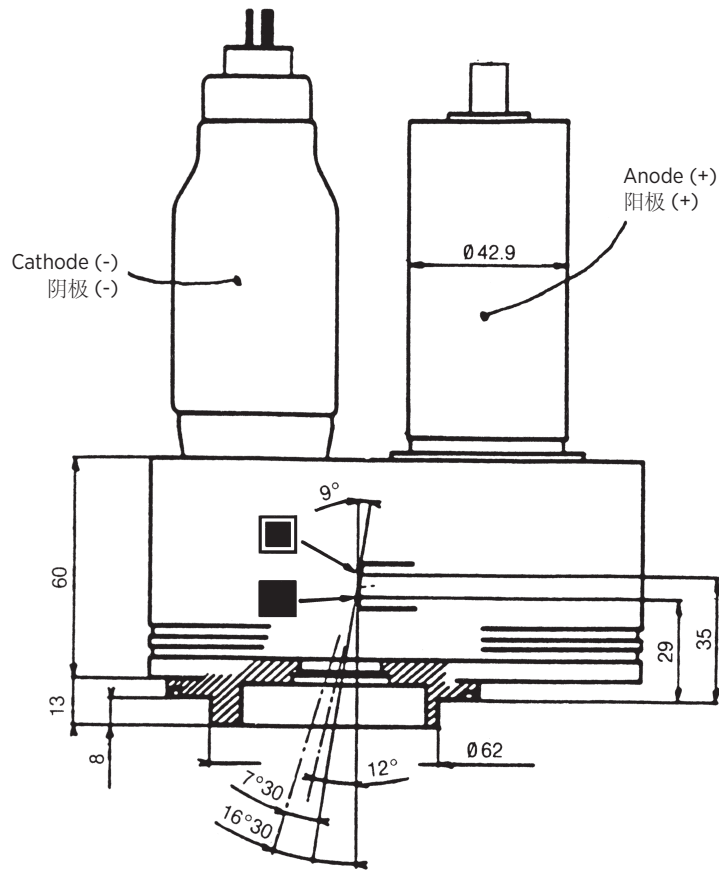
0.1 - 0.3
IEC 60336

标称阳极输入功率:

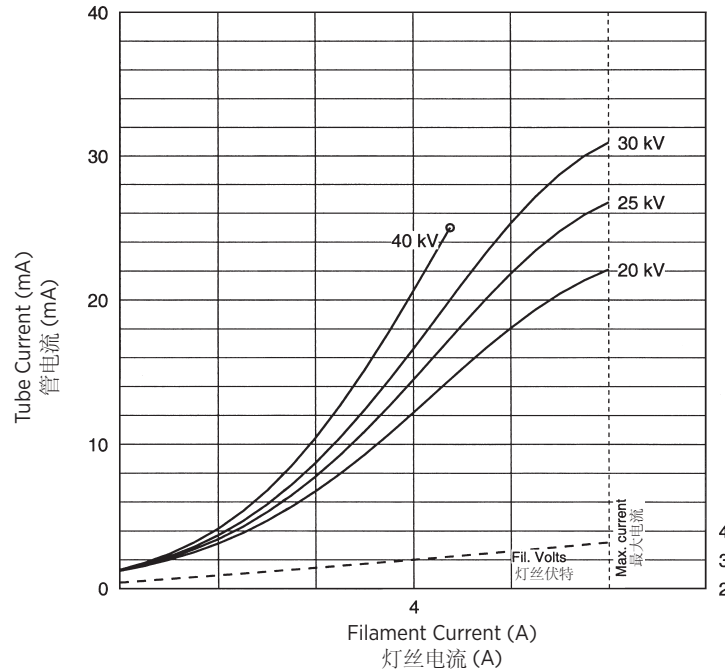
小焦点 - 1.0 kW CEI 60613
大焦点 - 4.0 kW CEI 60613
适用于45瓦的等效阳极输入功率

此管芯适用于M52.2 管套。

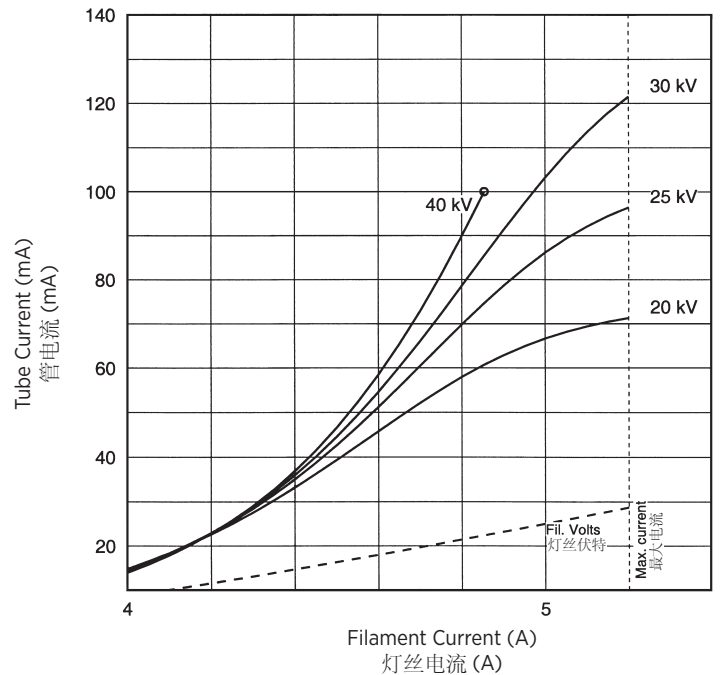
所有商标均属于各自的生产商



3 Ø 全波



THREE PHASE EMISSION (± .15 A)
三相发射 (± .15 A)
0.1



THREE PHASE EMISSION (± .15 A)
三相发射 (± .15 A)
0.3

Note: When using these emission curves for trial exposures, refer to the power rating curves shown for maximum kV, tube emission, filament current, exposure time, and target speed.

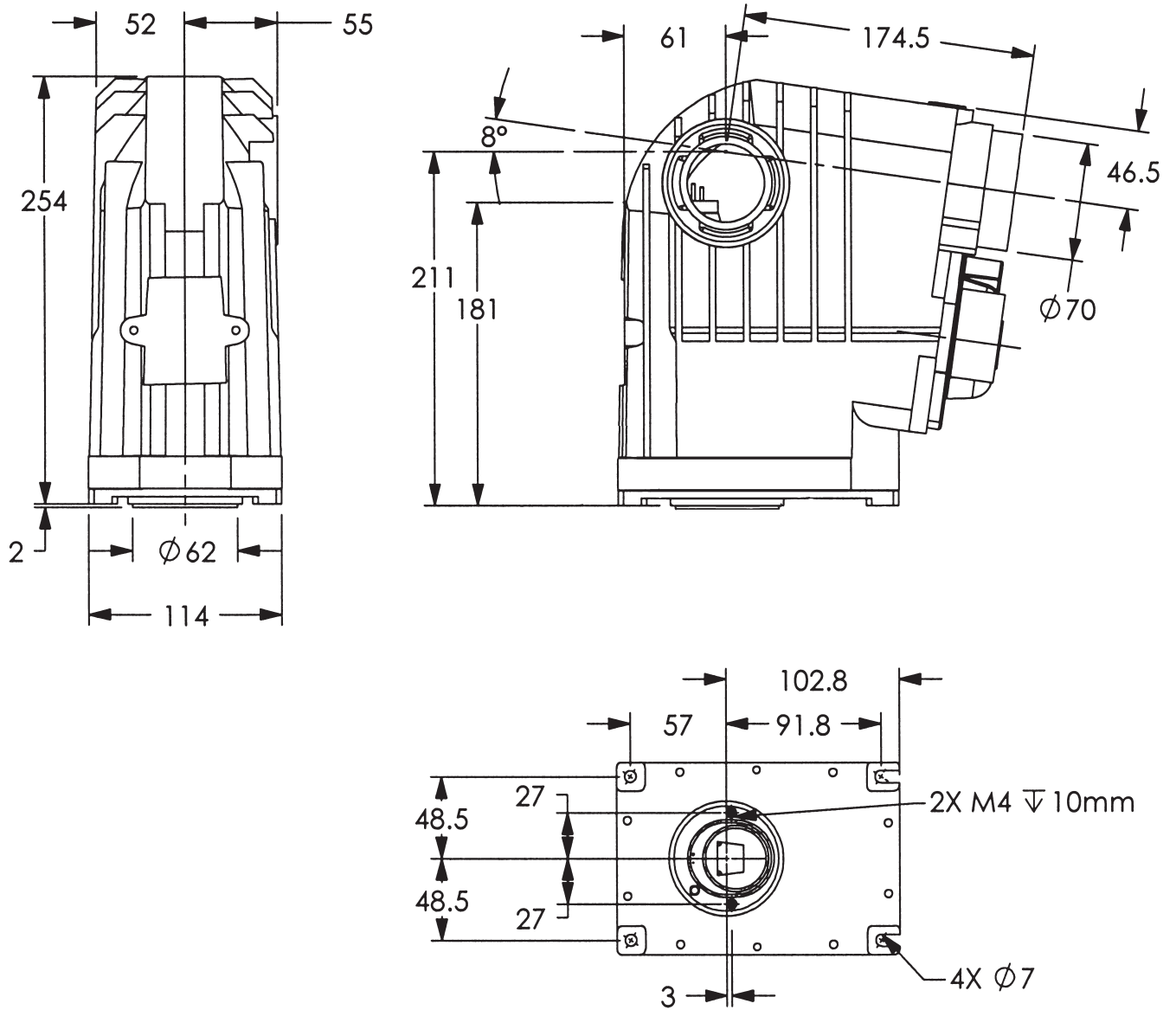
注释: 当为试验曝光使用这些辐射曲线时, 请同时参考额定功率曲线中与最大管电压、管电流、灯丝电流、曝光时间和阳极靶转速相关的限制条件。

Product Description	
Maximum Potential Difference	
Cathode to Ground	49 kV
Anode to Ground	0 kV
Heat Storage Capacity	336 kJ (470 kHU)
Continuous Heat Dissipation ...	144 W (200 HU/sec)
Maximum Housing Temperature	78°C
X-Ray Tube Assembly	
Permanent Filtration	0.63 mm Be IEC 60522
Leakage Technique Factors	49 kV, 3.0 mA
IEC Classification	Class 1
Weight (Approximate)	10.5 kg (23.1 lbs)
Safety Devices: Thermal Switch	
Thermal Switch	
Normally Closed Contact	Opens at 75°C±3°C
Pressure Switch	
Normally Closed Contact	Opens at 345 mbar
Ambient Air Temperature Limits for Operation	
.....	5°C to 40°C
Temperature Limits for Storage and Transportation	
.....	-20°C to 80°C
Humidity	10% to 90%
Atmospheric Pressure Range	70 kPa to 106 kPa
Mounting	Housing

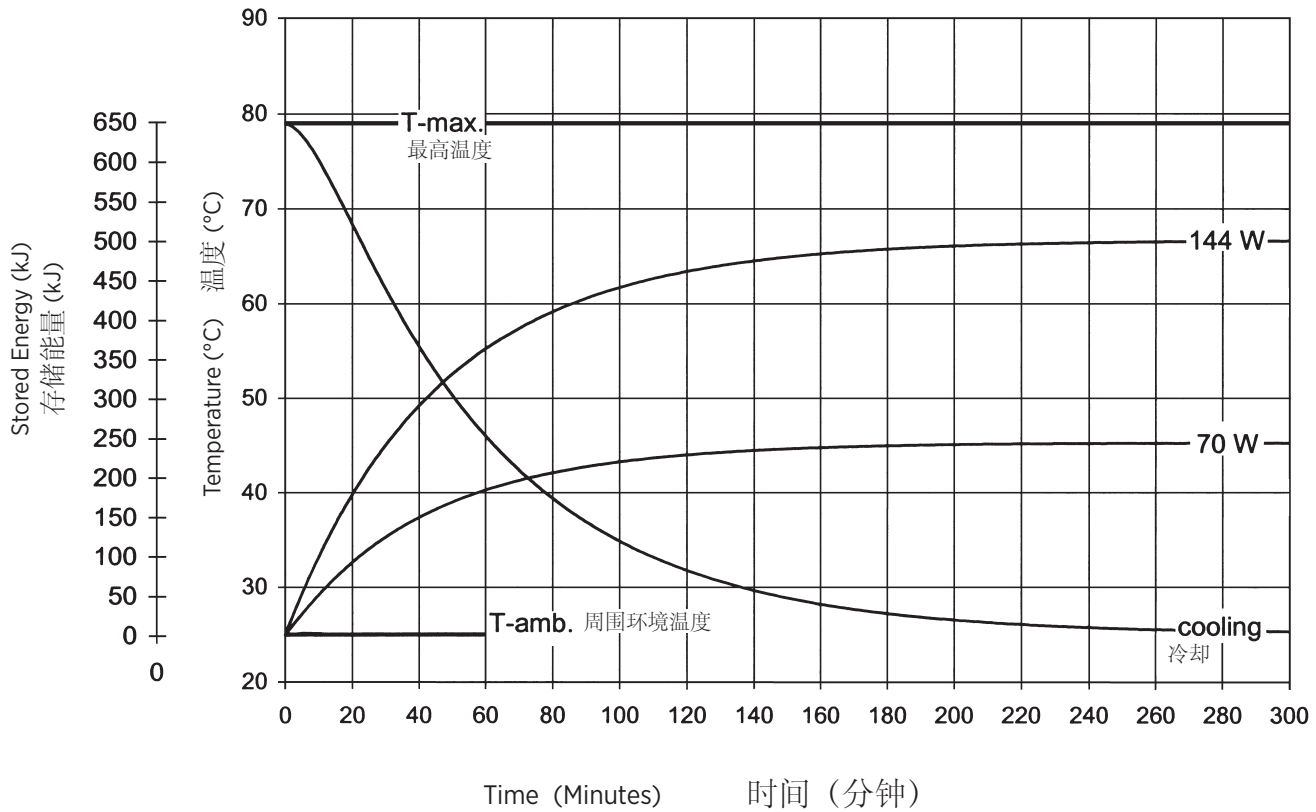
产品说明	
最大电位差值	
阴极到地	49 kV
阳极到地	0 kV
热容量	336 kJ (470 kHU)
连续散热	144 W (200 HU/sec)
最大管套温度	78°C
X 射线管组件固有滤过 .. 0.63 mm Be IEC 60522	
泄漏测试条件	49 kV, 3.0 mA
IEC 分级	1 类
重量(近似)	10.5 kg (23.1 lbs)
安全性装置: 热控开关	
热控开关	
正常情况下为闭合接点	在75°C ± 3°C 打开
压力开关	
正常情况下为闭合接点	在 345 mbar
环境气温工作限值	5°C 到 40°C
存储与运输温度限值	-20°C 到 80°C
湿度	10% 到 90%
大气压范围	70 kPa 到 106 kPa
安装	管套

Dimensions are for Reference only
维度是供仅供参考

M52.2

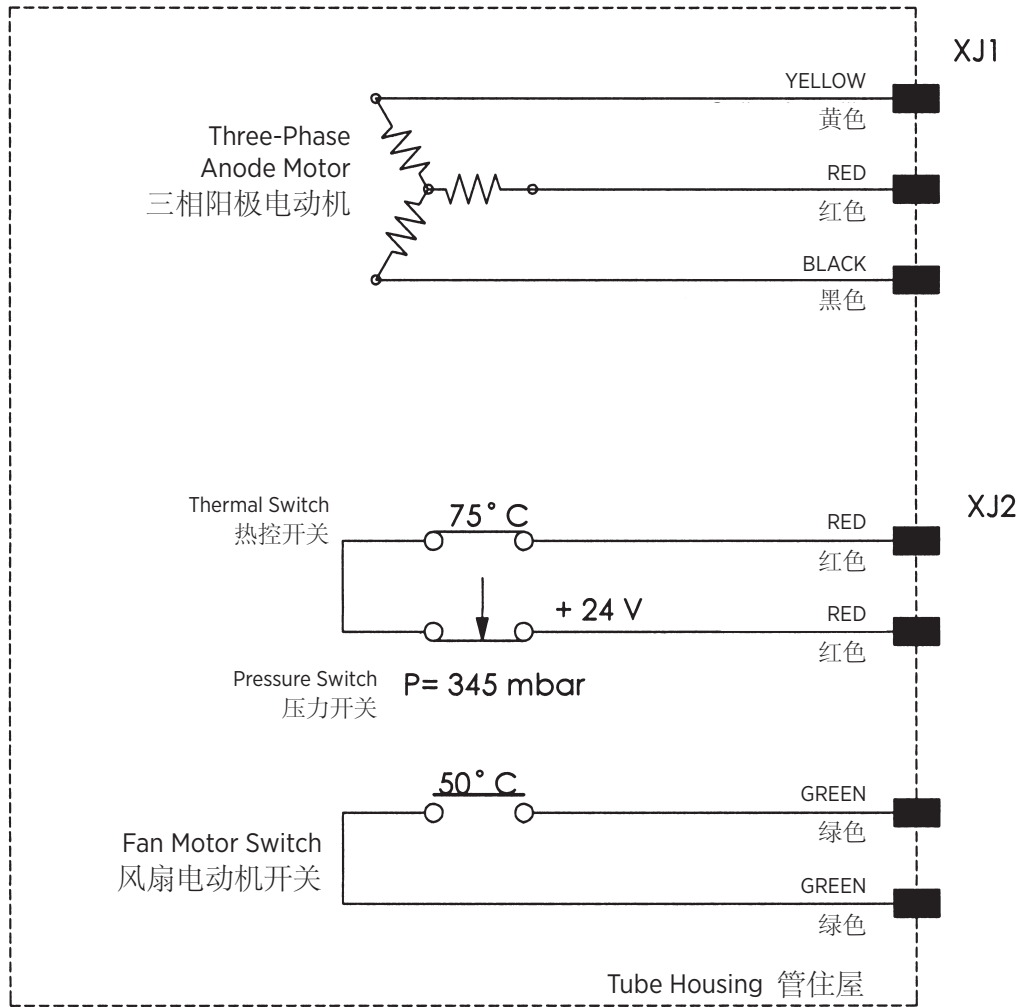


Housing Assembly Heating and Cooling 管套组件加热与冷却



Note:
Heat inputs include tube power, filament power, and stator power. Heating curves based on no restrictions of natural convection around tube unit assembly.

注释:
热输入包括管功率、灯丝功率和定子功率。加热曲线以管套组件周围无自然对流的限制为根据。



	Stator Drive Frequency 100 Hz = 5600 RPM ±10%		Stator Drive Frequency 180 Hz = 9600 RPM ±10%	
	Power (W)	Time (s)	Power (W)	Time (s)
Start	1200	0.8	900	1.5
Continuous operation	110	-	70	-
Brake	100	5	300	2.5

	定子驱动频率 100 Hz = 5600 RPM ±10%		定子驱动频率 180 Hz = 9600 RPM ±10%	
	功率 (W)	时间 (s)	功率 (W)	时间 (s)
启动	1200	0.8	900	1.5
连续工作	110	-	70	-
制动	100	5	300	2.5

Anode Heating and Cooling Curves
阳极加热与冷却曲线

