



Note: Document originally drafted in the English language.  
注释：文件最初用英语起草。

**Product Description**

The M-152 is a 2.75" (70 mm) 49.0 kV, 97 kJ (135 kHU) maximum anode heat content, rotating anode insert. This insert is specifically designed for use in Mammography systems. The insert features two targets, one of Molybdenum and the other Rhodium and is available with the following nominal focal spots:

Target: Mo - 0.1 (6°) - 0.3 (20°)  
Target: Rh - 0.1 (6°) - 0.3 (20°)  
IEC 60336

**Nominal Anode Input Power**

Small (Mo) - 2.5 kW IEC 60613  
Large (Mo) - 5.5 kW IEC 60613  
Small (Rh) - 2.0 kW IEC 60613  
Large (Rh) - 4.1 kW IEC 60613

For the equivalent anode input power of 80 Watts

This insert is intended for use in M52.2 housings.

All trademarks property of the respective manufacturer

**产品说明**

M-152 是一款具有 2.75" (70 mm) 靶盘, 49.0 kV, 97 kJ (135kHU) 最大阳极热容量的旋转阳极X线管芯。该管芯专为乳房X线照相术系统使用而设计。该管芯的靶盘结构为两个靶标, 其中一个为钼靶材, 另一个是铑靶材, 可提供下列标称焦点:

靶标: 钼 - 0.1 (6°) - 0.3 (20°)  
靶标: 铑 - 0.1 (6°) - 0.3 (20°)  
IEC 60336

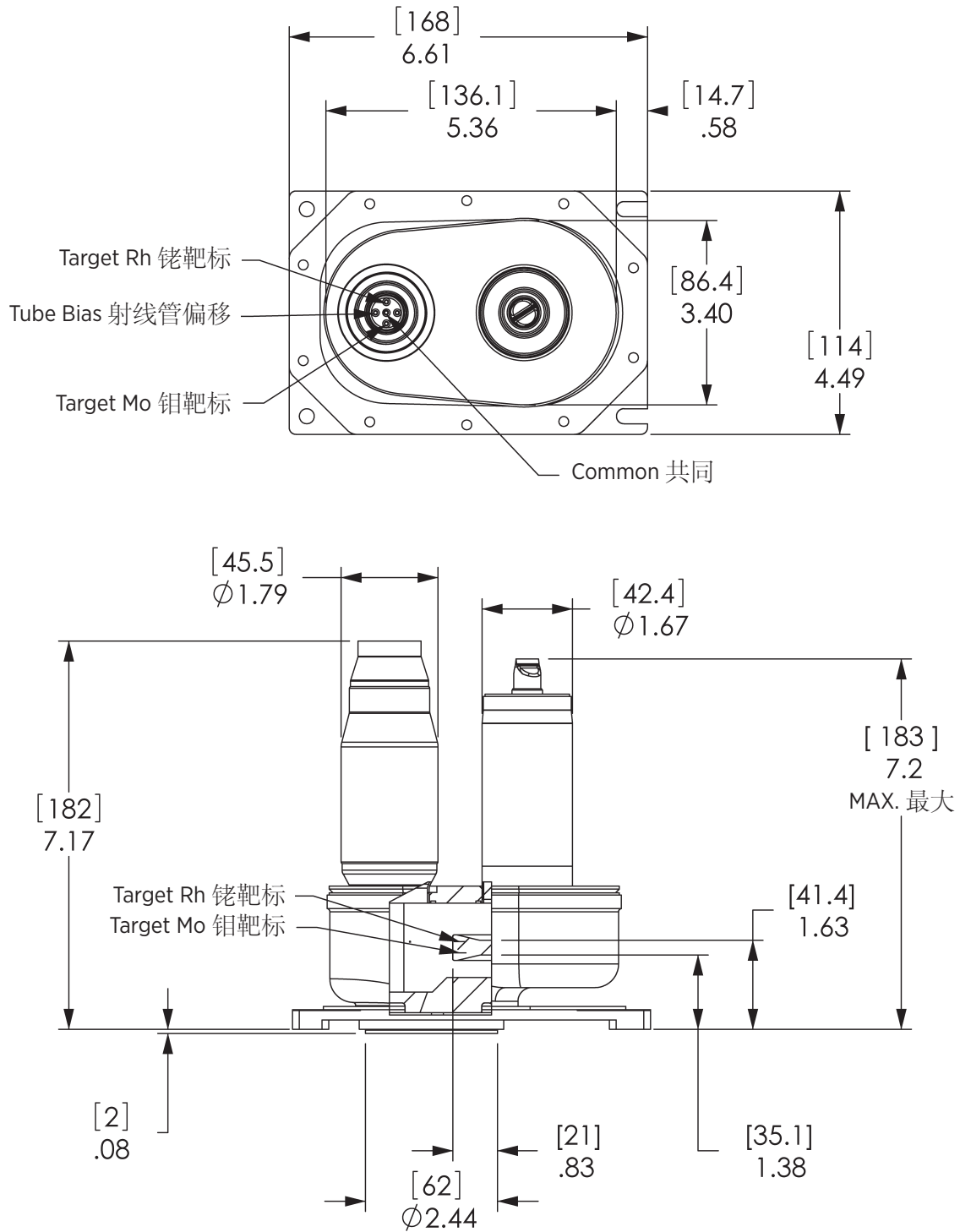
**标称阳极输入功率:**

小焦点(钼) - 2.5 kW IEC 60613  
大焦点(钼) - 5.5 kW IEC 60613  
小焦点(铑) - 2.0 kW IEC 60613  
大焦点(铑) - 4.1 kW IEC 60613  
适用于80瓦的等效阳极输入功率

此管芯适用于M52.2 管套。

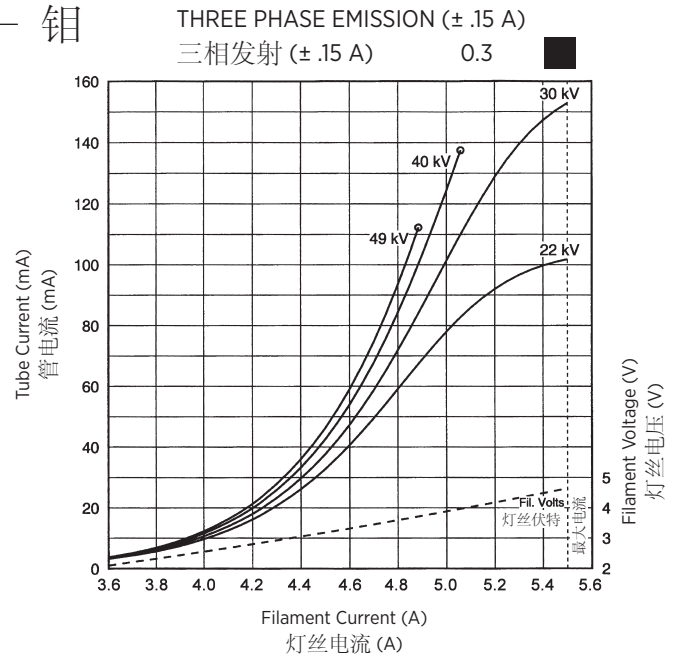
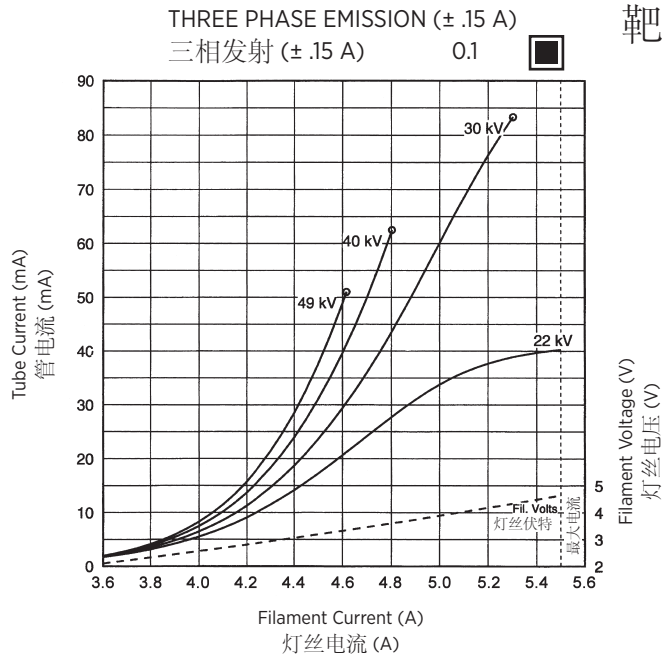
所有商标均属于各自的生产商

Dimensions are for Reference only  
维度是供仅供参考

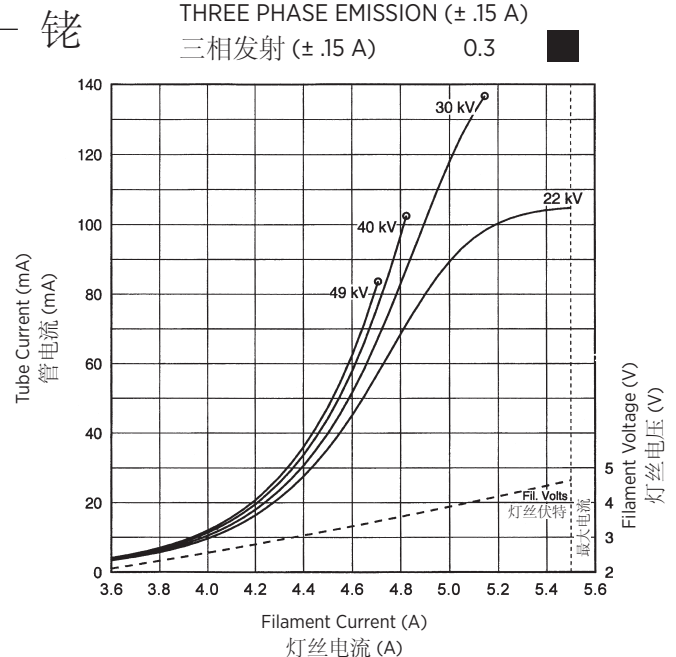
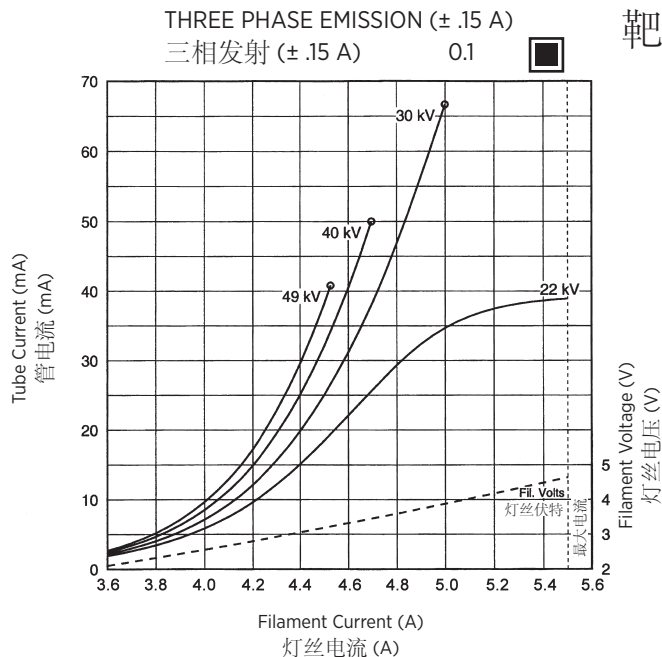


3∅ 全波

Target - Mo.  
靶标 - 钼



Target - Rh.  
靶标 - 铑



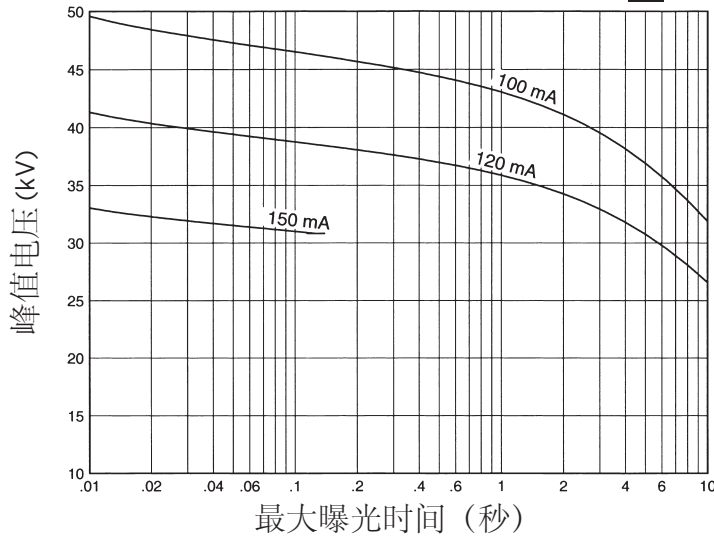
Note: When using these emission curves for trial exposures, refer to the power rating curves shown for maximum kV, tube emission, filament current, exposure time, and target speed.

注释: 当为试验曝光使用这些辐射曲线时, 请同时参考额定功率曲线中与最大管电压、管电流、灯丝电流、曝光时间和阳极靶转速相关的限制条件。

3 Ø 恒定电压

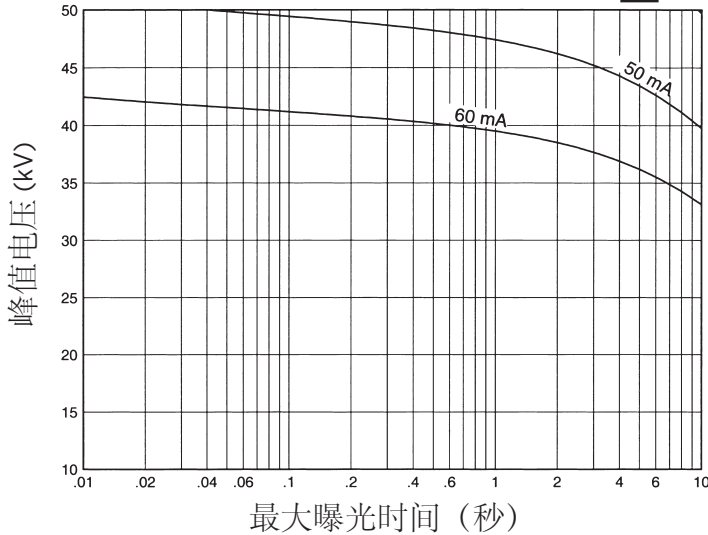
靶标 - 钼 - 100 Hz

标称焦点大小 - 0.3

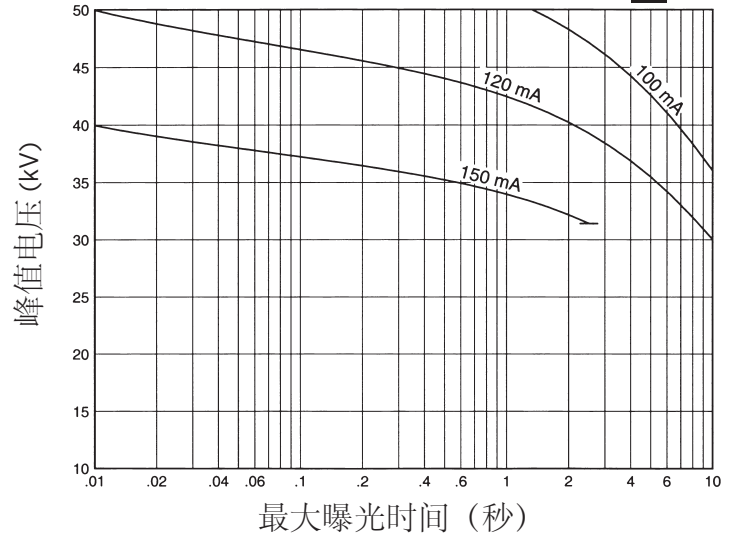


靶标 - 钼 - 180 Hz

标称焦点大小 - 0.1



标称焦点大小 - 0.3



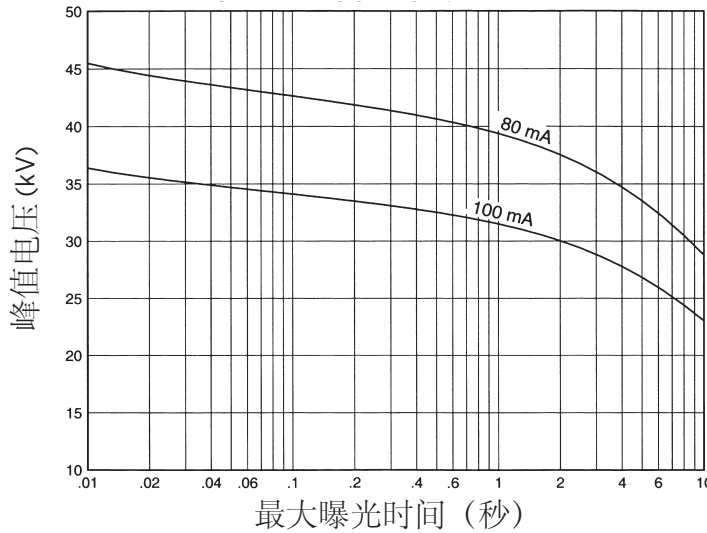
Nominal anode input power for the anode heat content 40%. IEC 60613

阳极热容量 40% 的标称阳极输入功率。IEC 60613

3 Ø 恒定电压

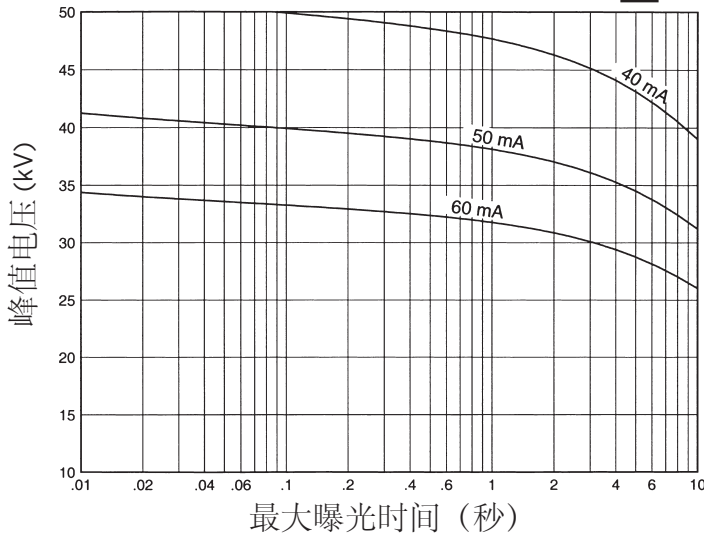
靶标 - 铯 - 100 Hz

标称焦点大小 - 0.3

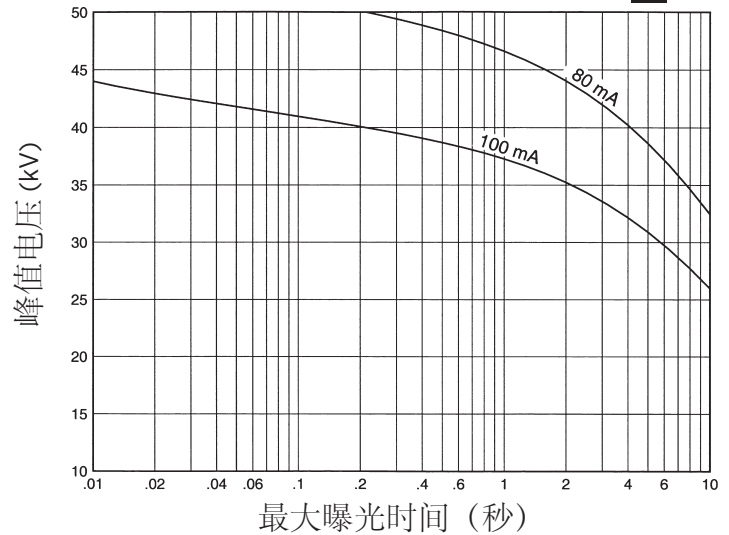


靶标 - 铯 - 180 Hz

标称焦点大小 - 0.1



标称焦点大小 - 0.3



Nominal anode input power for the anode heat content 40%. IEC 60613

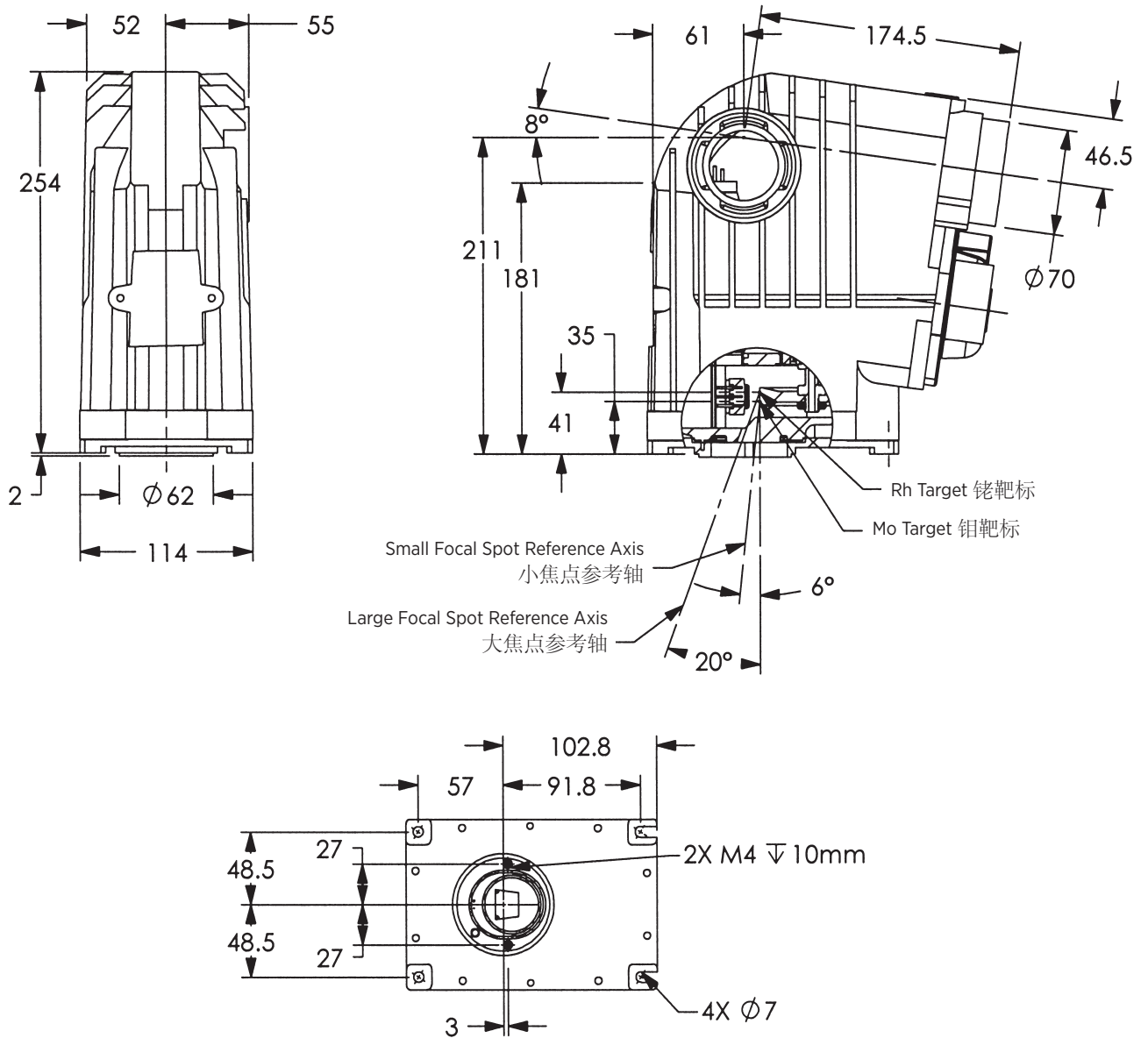
阳极热容量 40% 的标称阳极输入功率。IEC 60613

<b>Product Description</b>	
Maximum Potential Difference	
Cathode to Ground .....	49 kV
Anode to Ground .....	0 kV
Heat Storage Capacity .....	336 kJ (470 kHU)
Continuous Heat Dissipation ...	144 W (200 HU/sec)
Maximum Housing Temperature .....	78°C
X-Ray Tube Assembly	
Permanent Filtration .....	0.63 mm Be IEC 60522
Leakage Technique Factors .....	49 kV, 3.0 mA
IEC Classification .....	Class 1
Weight (Approximate) .....	10.5 kg (23.1 lbs)
Safety Devices: Thermal Switch	
Thermal Switch	
Normally Closed Contact .....	Opens at 75°C±3°C
Pressure Switch	
Normally Closed Contact .....	Opens at 345 mbar
Ambient Air Temperature Limits for Operation	
.....	5°C to 40°C
Temperature Limits for Storage and Transportation	
.....	-20°C to 80°C
Humidity .....	10% to 90%
Atmospheric Pressure Range .....	70 kPa to 106 kPa
Mounting .....	Housing

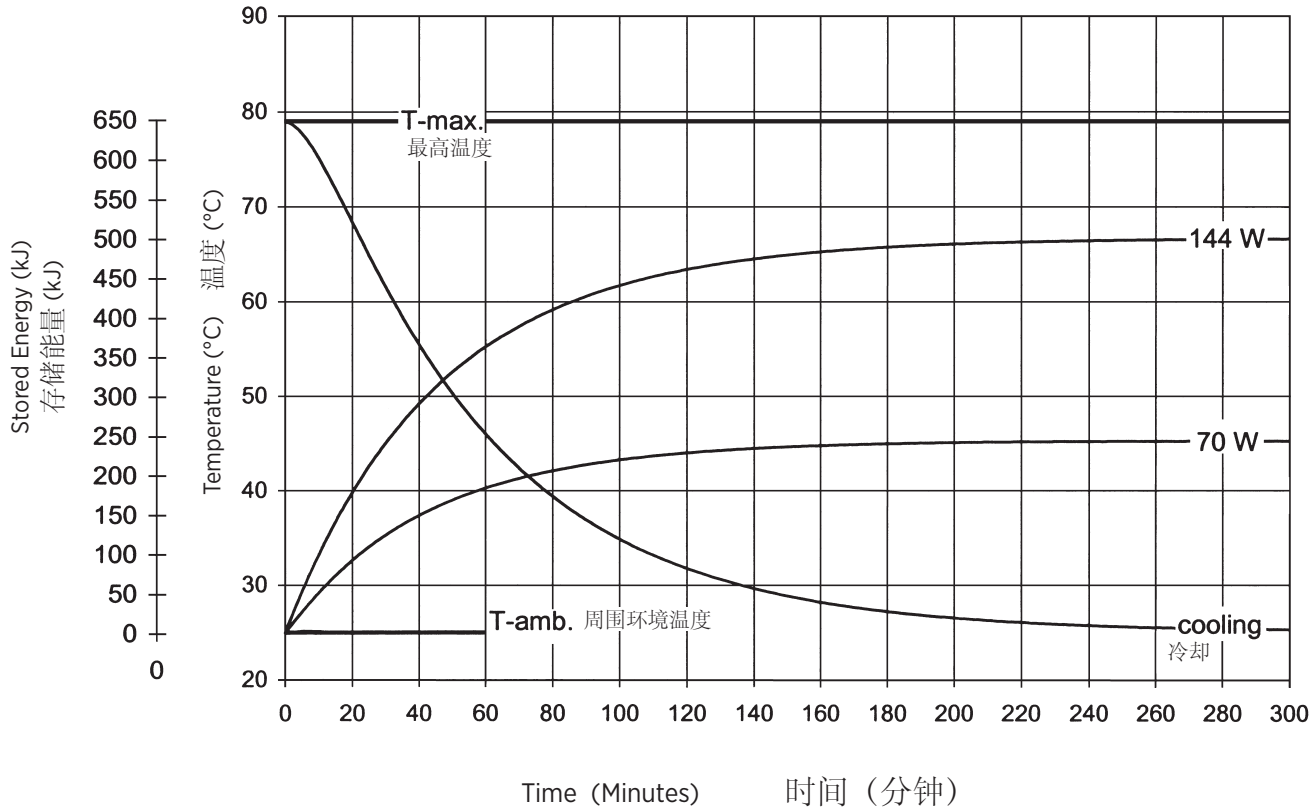
<b>产品说明</b>	
最大电位差值	
阴极到地 .....	49 kV
阳极到地 .....	0 kV
热容量 .....	336 kJ (470 kHU)
连续散热 .....	144 W (200 HU/sec)
最大管套温度 .....	78°C
X 射线管组件固有滤过	
.....	0.63 mm Be IEC 60522
泄漏测试条件 .....	49 kV, 3.0 mA
IEC 分级 .....	1 类
重量(近似) .....	10.5 kg (23.1 lbs)
安全性装置: 热控开关	
热控开关	
正常情况下为闭合接点 .....	在 75 ± 3°C 打开
压力开关	
正常情况下为闭合接点 .....	在345 mbar 打开
环境气温工作限值 .....	5°C 到 40°C
存储与运输温度限值 .....	-20°C 到 80°C
湿度 .....	10% 到 90%
大气压范围 .....	70 kPa 到 106 kPa
安装 .....	管套

Dimensions are for Reference only  
维度是供仅参考

**M52.2**



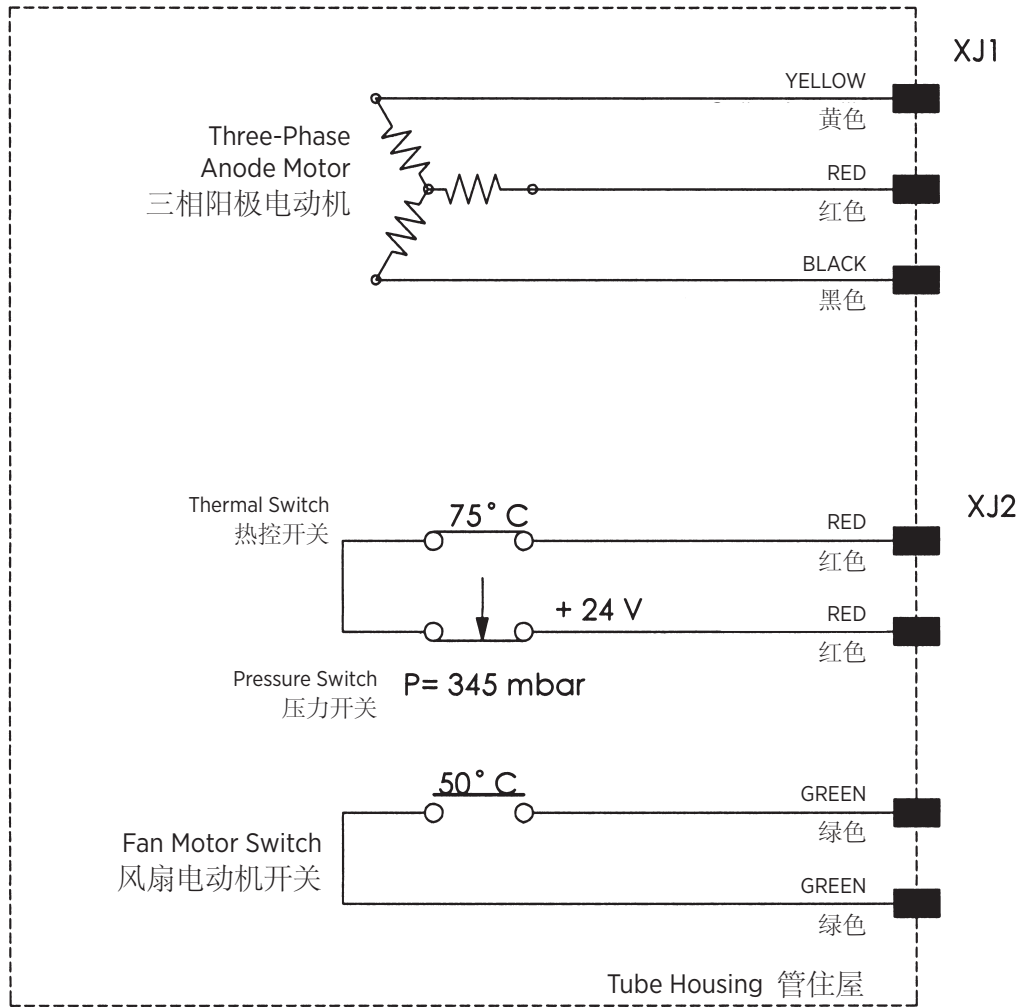
### Housing Assembly Heating and Cooling 管套组件加热与冷却



**Note:**  
Heat inputs into housing include tube power, filament power, and stator power. Heating curves based on no restrictions of natural convection around tube housing assembly.

**注释:**  
向管套的热量输入包括管功率、灯丝功率和定子功率。加热曲线以管套组件周围无自然对流的限制为根据。





	Stator Drive Frequency 100 Hz = 5600 - 6000 RPM		Stator Drive Frequency 180 Hz = 9600 - 10,800 RPM	
	Power (W)	Time (s)	Power (W)	Time (s)
<b>Start</b>	1200	0.8	900	1.5
<b>Continuous operation</b>	110	-	70	-
<b>Brake</b>	100	5	300	2.5

	定子驱动频率 100 Hz = 5600 - 6000 RPM		定子驱动频率 180 Hz = 9600 - 10,800 RPM	
	功率 (W)	时间 (s)	功率 (W)	时间 (s)
启动	1200	0.8	900	1.5
连续工作	110	-	70	-
制动	100	5	300	2.5

### Anode Heating and Cooling Curves 阳极加热与冷却曲线

