



### Product Description

The PaxScan 4343RC is a ruggedized X-ray imaging flat panel detector designed for general radiographic imaging in fixed and portable applications. The 4343RC is UL rated for patient contact.

### Technical Specifications

Receptor Type .....	Amorphous Silicon with PIN Technology
Conversion Screen .....	CsI, DRZ+
Pixel Area - Total .....	42.7 (h) x 42.7 (v) cm (16.8 x 16.8 inch)
Active .....	42.4 (h) x 42.4 (v) cm (16.7 x 16.7 inch)
Pixel Matrix - Total .....	3,072 (h) x 3,072 (v)
Effective .....	3,052 (h) x 3,052 (v)
Pixel Pitch .....	139 µm
Limiting Resolution .....	3.6 lp/mm

### Image Quality

<u>DQE @ 2.1 µGy</u>	<u>GADOX/DRZ+ (typical)</u>	<u>CsI (typical)</u>
DQE @ 0 lp/mm	38%	78%
DQE @ 1 lp/mm	27%	55%
DQE @ 2 lp/mm	16%	42%
DQE @ 3 lp/mm	7%	28%
DQE @ Nyquist	3%	14%
MTF @ 1 lp/mm	54%	56%
MTF @ 2 lp/mm	23%	27%
MTF @ 3 lp/mm	9%	14%
MTF @ Nyquist	6%	10%
Sensitivity	402 LSB/nGy	768 LSB/nGy

<u>Dose Range</u>	<u>DRZ+</u>	<u>CsI</u>
Saturation Dose	163 µGy	85 µGy
Maximim Linear Dose	132 µGy	59 µGy
Noise Equivalent Dose	367 nGy	179 nGy

Cycle Time @ 550ms .....	3.4 sec
X-ray window .....	350-4000ms
Energy Range .....	40 - 150 kVp
Fill Factor .....	63%
Scan Method .....	Progressive
Data Output .....	Gigabit Ethernet
A/D Conversion .....	16-bit
Workstation Interface .....	Ethernet Port
Exposure Control .....	Inputs: Expose-Request and Prep Outputs: Expose-OK AED: vTrigger

### Patient Contact

Surface Temperature .....	rated to not exceed 42 degrees C
Weight Limit	
Uniform load across entire carbon fiber surface .....	150 kg
Concentrated 40mm diameter load at the center of the imager .....	100 kg

### Software

The 4343RC embeds the M-series Varex Imaging Smart Panel (VSP) software within the receptor. Developers interface with the receptor through VSP COMM which resides on the workstation. The integrator experience is simplified through the new M-series software interface. An onboard Control Panel is used to manage receptor settings and configuration. The ViVA™ sample imaging application is included. VSP COMM is Windows® 7 (32 & 64-bit) or Windows 8.1 (32 & 64-bit) or Windows® 10 (32 & 64-bit) compatible.

### Computer Requirements

RAM .....	2.00 GB
CPU .....	Pentium dual core running @ 2.0 GHz or equivalent

### Power

Power Dissipation .....	14 watts (max.)
Power Supply/Adaptor .....	90-240 VAC, 47-63 Hz

### Mechanical

Weight (without cable)	
DRZ+ .....	3.50 kg ± 0.1 kg
CsI .....	3.76 kg ± 0.1 kg
Housing Material .....	Aluminum
Sensor Protection .....	Carbon fiber and aluminum

### Environmental

Shock .....	High-shock tolerance
Temperature Range - Operating (at back cover) ..	10°C to 40°C (max.)
(Ambient) - Storage .....	-20°C to +70°C
Humidity - Operating & Storage (non-condensing) .....	10% to 90%
Atmospheric Pressure - Operating & Storage .....	70 kPa to 106 kPa

### Regulatory

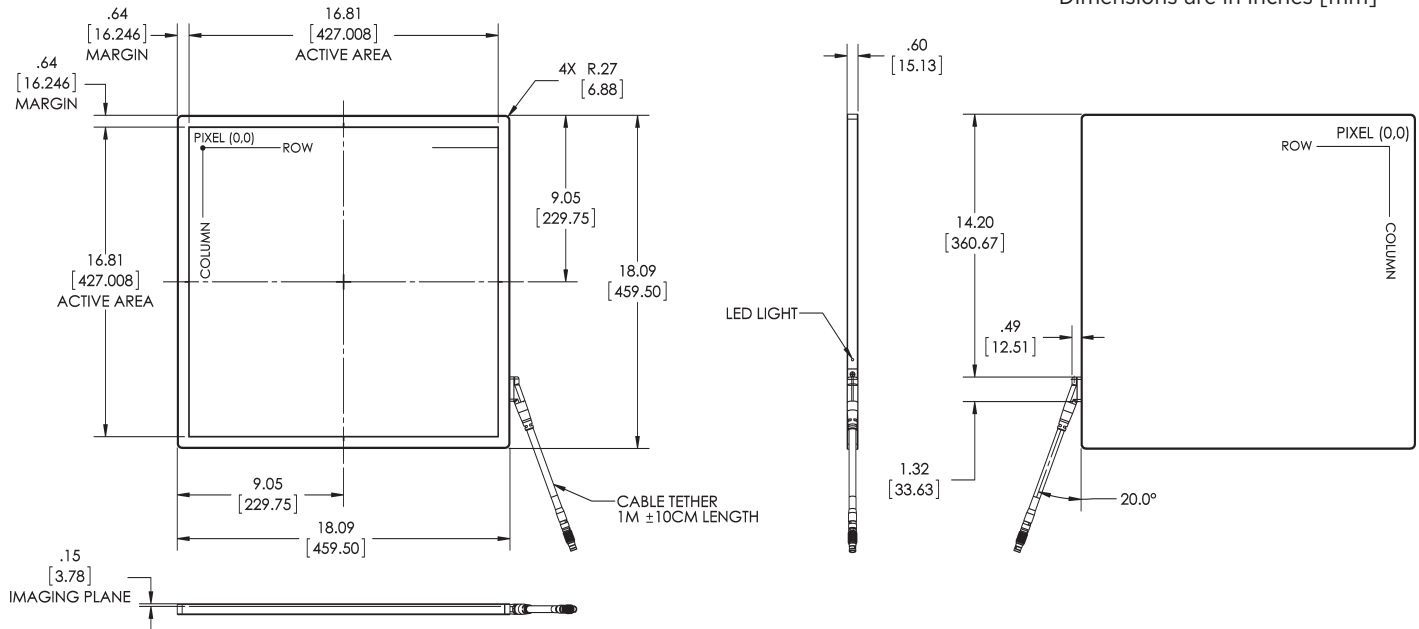
U.S. ....	ANSI/AAMI ES60601-1:2012
Canada .....	CAN/CSA C22.2 No. 60601-1:14
EU .....	IEC/EN 60601-1:2012

® PaxScan is a Registered Trademark of Varex Imaging Corporation.

### 4343RC Panel

Dimension are for reference only

Dimensions are in Inches [mm]



### I/O Box

