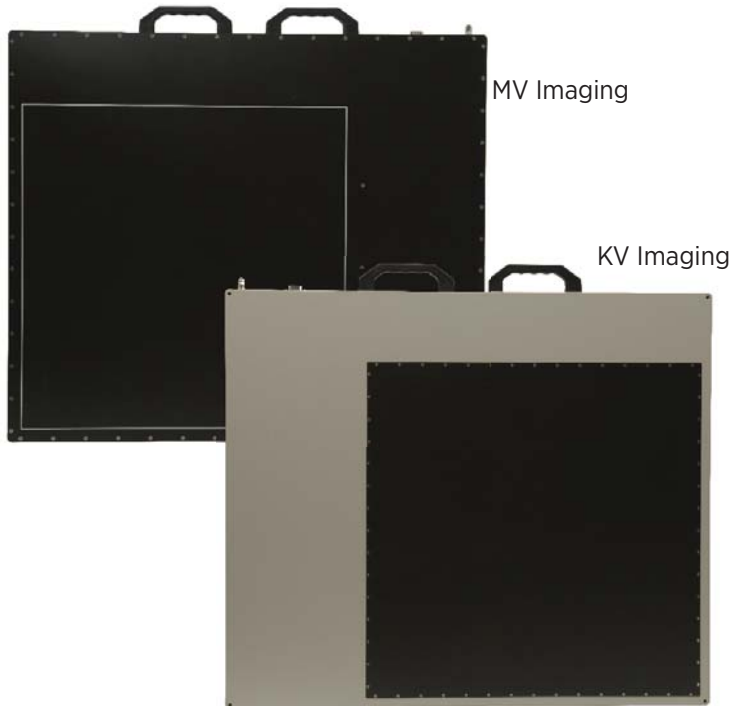


Product Description

The industrial 4343HE flat panel detector provides industry leading image quality for industrial and security applications. Varex Imaging's amorphous silicon-based detectors are the benchmark for radiography in industrial.

Key advantages include:

- Design for high dose applications > 1 MRad
- Wide energy range: 20 kV - 16 MV
- Internal shielding up to 225 kV
Electronics are outside of the detector active area allowing the integrator to provide additional external shielding of the electronics for use above 225 kV.
- Gigabit Ethernet link to workstation
- Optimized MV imaging with standard geometry and kV imaging with reverse geometry



Technical Specifications

Receptor Type	Amorphous Silicon
Conversion Screen	DRZ+*
Pixel Area - Total	42.7cm (h) x 42.7cm (v) (16.8 x 16.8 in)
Pixel Matrix - Total	3,072 (h) x 3,072 (v)
Pixel Pitch	139 μ m ²
Energy Range	20 kV - 16 MV
Fill Factor	64.3%
Data Output	Gigabit Ethernet
Scan Method	Progressive
A/D Conversion	16-bit
Frame Rate	4 fps (1x1), 15 fps (2x2)
Exposure Control	User Sync input, Expose OK output

ViVA™

The software release includes ViVA™, a basic application for panel testing and calibration acquisition and viewing on an end-user workstation running Microsoft® Windows™. The developer's software package includes a "Virtual Command Processor" software interface that performs detector calibration, detector set-up, image acquisition, and image corrections. ViVA™ includes file type translators for .viv, .raw, .jpg, and .bmp file formats.

* other scintillators available upon request

Power Requirements

Power Dissipation	25 watts
Power Supply/Adaptor	100-240 VAC, 47-63 Hz

Mechanical

Weight	14.6 kg (31 lbs.) panel
Housing Material	Aluminum
Sensor Protection	Carbon fiberplate (3.5mm) & aluminum (0.05)
Mounting Provisions	Blind, threaded mounting holes on the back.

Environmental

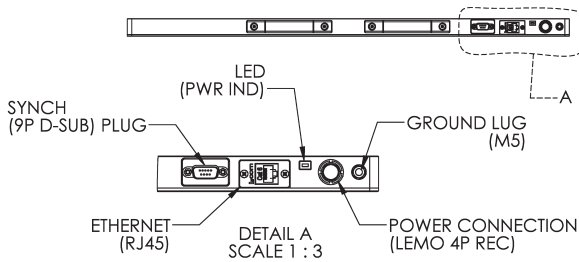
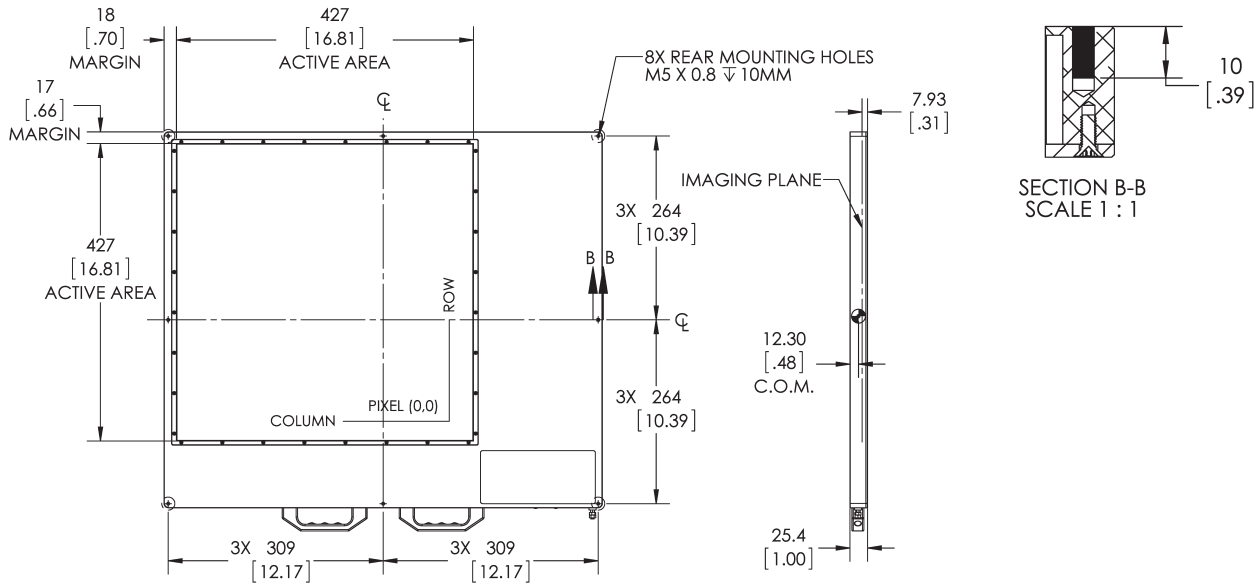
Temperature Limit - Operating	+10°C to +35°C (max.)
(Ambient) -Storage	-15°C to +50°C
Relative Humidity (Non-condensing)	
Operating & Storage	10% - 90%
Atmospheric Pressure	70 kPa - 106 kPa

Regulatory

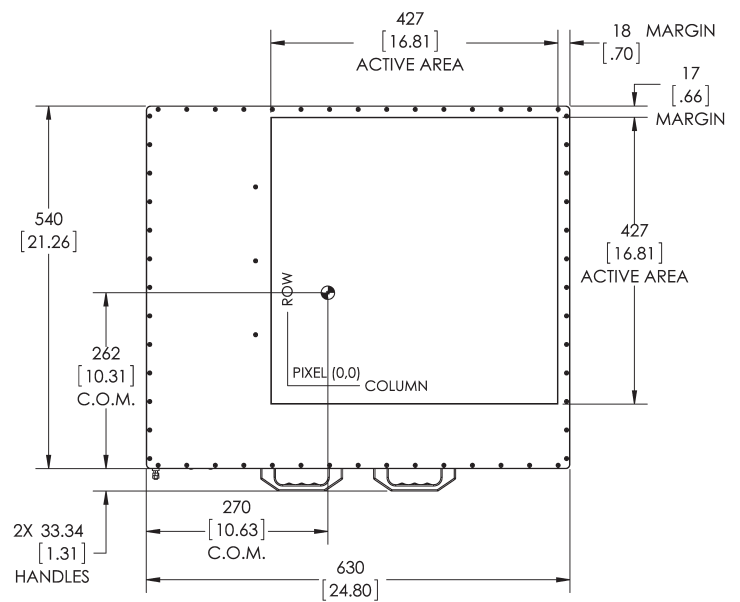
Canada	CAN/CSA-C22.2 No. 61010-1
U.S.	UL 61010-1
Europe	EN 61010

Dimensions are for reference only
Dimensions are in mm (inches)

KV Imaging



MV Imaging

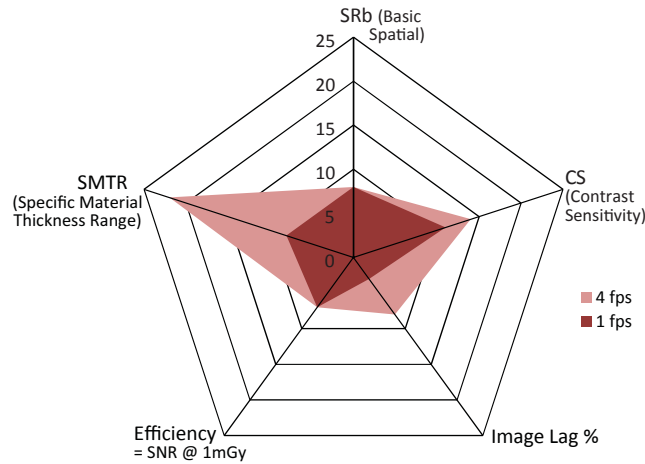


Detector Characterization Charts in accordance with ASTM E2597-14 Standard Practice for the Manufacturing Characterization of Digital Detector Arrays

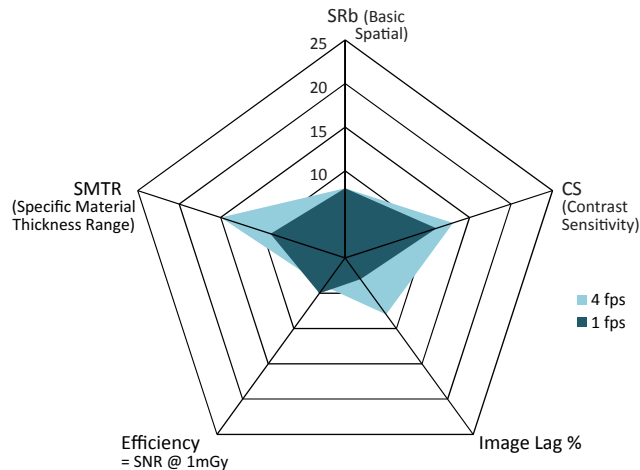
NOTE: SMTR, CS and Lag quality numbers all improve with higher frame rate. For the same inspection time, higher frame rates enable higher beam power.

Full Resolution - 2pF Gain setting

Aluminum 6061



Inconel 718



Titanium 6Al4V

