



Product Description

The PaxScan 4336R is the first ruggedized portable X-ray flat panel detector designed for mobile digital radiographic X-ray systems to fit existing 14"x17" standard bucky trays. Based upon the new Gigabit Ethernet interface, images are displayed on a user-supplied workstation.

Technical Specifications

Receptor Type	Amorphous Silicon Technology
Conversion Screen	Direct Deposit CsI, Detached CsI, DRZ Plus
Pixel Area	Total 42.7 (v) x 35.6 (h) cm (16.8 x 14.0 inch) Active 42.4 (v) x 35.3 (h) cm (16.7 x 13.9 inch)
Pixel Matrix	Total 3,072 (v) x 2,560 (h) Active 3,052 (v) x 2,540 (h)
Pixel Pitch	139 µm
Limiting Resolution	3.6 lp/mm

Image Quality

	GADOX (typical)	DD/CSI (typical)
DQE @ 0 lp/mm	33%*	70%*
DQE @ 1 lp/mm	24%*	54%*
DQE @ 2 lp/mm	15%*	42%*
DQE @ 3 lp/mm	7%*	26%*
DQE @ Nyquist	4%*	15%*
MTF @ 1 lp/mm	53%	57%
MTF @ 2 lp/mm	20%	27%
MTF @ 3 lp/mm	9%	13%
MTF @ Nyquist	5%	10%
Sensitivity	0.412 LSB/nGy	0.825 LSB/nGy

Energy Range	Standard	40 - 150 kVp
Scan Method		Progressive
Data Output		Gigabit Ethernet
A/D Conversion		14-bit
Cycle Time (minimum / standard)		4 / 5 sec.
Exposure Control	Inputs:	Prepare, Expose-Request
	Outputs:	Expose-OK

Patient Contact

Weight Limit	
Uniform load across entire carbon fiber surface	150 kg
Concentrated 40mm diameter load at the center	100 kg

* Without enclosure

Software

The software release includes ViVA™, a basic application for image acquisition and viewing on an end-user workstation or laptop running Microsoft® Windows™. The developer's software package includes a "Virtual Command Processor" software interface that performs detector calibration, detector set-up, image acquisition, and image corrections. ViVA™ includes file type translators for .viv, .raw, .jpg, and .bmp file formats. Windows® XP and Windows® 7 (32 bit) compatible.

Computer Requirements

RAM	2.00 GB
CPU	Pentium dual core running @ 2.0 GHz or equivalent

Power

Power Dissipation	30 watts (cont.) 35 watts (max.)
I/O Interface Box	100 - 240 VAC, 47 - 63 Hz (Up to 9m away from panel)

Mechanical

Weight (includes battery)	8.6 lbs. (3.9 kg)
Housing Material	Aluminum
Sensor Protection Material	Carbon fiber plate and aluminum

Environmental

Shock	High-shock tolerance
Water	IPX1 Water Resistant
Temperature Range - Operating (at back cover)	10°C to 35°C (max.)
(Ambient) - Storage	-20°C to +70°C
Humidity - Operating & Storage (non-condensing)	10% to 90%
Atmospheric Pressure - Operating & Storage	70 kPa to 106 kPa

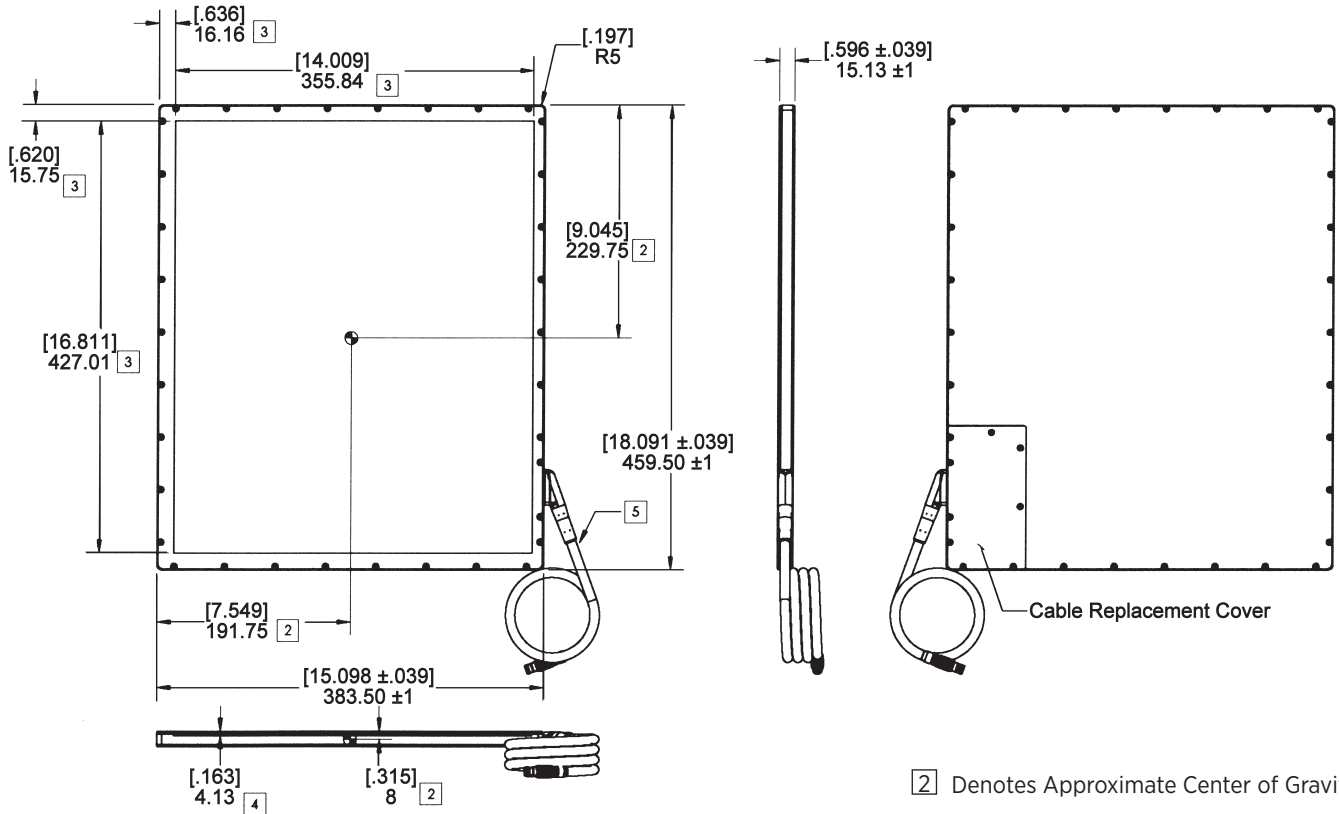
Regulatory

U.S.	ANSI/AAMI ES60601-1:2005
Canada	CAN/CSA C22.2 No. 60601-1:08
EU	IEC/EN 60601-1:2005

®PaxScan is a Registered Trademark of Varex Imaging Corporation

Dimensions are for reference only

Dimensions are in mm [inches]



- [2] Denotes Approximate Center of Gravity
- [3] Active Area Dimension
- [4] Top Surface of Active Area
- [5] Hybrid Cable (Approximate \varnothing 9.5mm)