



Product Description

The PaxScan 2520E+ is a ruggedized X-ray imaging sub-system designed for high-speed radiographic imaging in the field. Based upon the new Gigabit Ethernet interface standard, images are displayed instantaneously on a user-supplied workstation or laptop fitted with the appropriate Gigabit controller chipset. The lightweight magnesium housing is shock-resistant.



An optional I/O interface box is available with a radiographic exposure handswitch and USB 2.0 interface for software-based exposure control.

Technical Specifications

Receptor Type	Amorphous Silicon
Conversion Screen	CsI, DRZ Plus, or Gd ₂ O ₂ S: Tb (Kodak Lanex Screen)
Pixel Area Total	19.5 x 24.4 cm (7.68 x 9.6 inch)
Active	17.9 x 23.8 cm (7.05 x 9.38 inch)
Pixel Matrix Total	1,536 x 1,920
Active	1,516 x 1,900
Pixel Pitch	127 μm ²
Limiting Resolution	3.94 lp/mm
MTF, X-Ray	>48% @ 1 lp/mm Gd ₂ O ₂ S:Tb screen (80 kVp)
Energy Range	40 - 150 kVp
Fill Factor	57%
Image Capture	Intel PRO/1000GT Desktop Adaptor (PCI) (Customer supplied)
Scan Method	Progressive
Data Output	Gigabit Ethernet
A/D Conversion	14-bit
Frame Rate	1-10 fps (1 x 1) (Workstation dependent)
Laptop/PC Interface	Ethernet Port
Exposure Control	USB port on host computer

Software

The software release includes ViVA™, a basic application for image acquisition and viewing on an end-user workstation or laptop running Microsoft® Windows™. The developer's software package includes a "Virtual Command Processor" software interface that performs detector calibration, receptor set-up, image acquisition, and image corrections. ViVA™ includes file translators for .viv, .raw, .jpg, and .bmp formats. Windows® XP compatible.

Power

Power Dissipation	15 watts (cont.)
	16 watts (max.)

Power Supply/Adaptor

Mechanical

Weight (with cables)	7.3 lbs. (3.3 kg)
I/O Interface Box (optional)	5.15 lbs. (2.34 kg)
Housing Material	Magnesium
Sensor Protection Material	Carbon fiber plate (2.5 mm thick) and magnesium

Environmental

Shock	High-shock tolerance
Temperature Range - Operating	1°C to 35°C (max.)
(Ambient) - Storage	-20°C to +70°C
Humidity - Operating & Storage (non-condensing)	10% to 90%
Atmospheric Pressure	70 kPa to 106 kPa

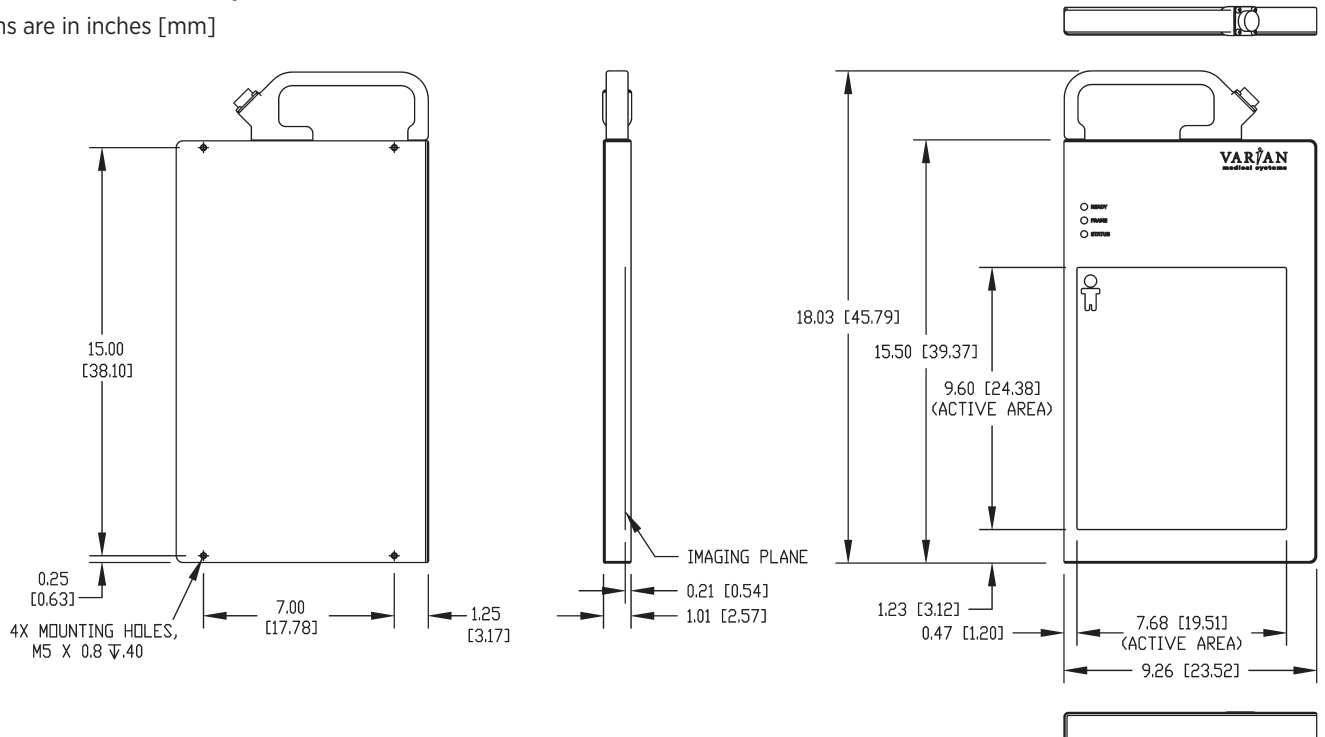
Regulatory

U.S.	ANSI/AAMI ES60601-1:2005
Canada	CAN/CSA C22.2 No. 60601-1:08
EU	IEC/EN 60601-1:2005

®PaxScan is a Registered Trademark of Varex Imaging Corporation

Dimensions are for reference only

Dimensions are in inches [mm]



I/O Interface Box (Optional)

Dimensions are in millimeters

