

Heat Exchanger
Installation Information



Description:

Heat Exchanger cooling fluid - dielectric oil

Performance:

Maximum Heat Exchanger Dissipation
2.5 kW @ sea level (Fan at 100% PWM)

Weight:

12.2 kg (26.9 lbs)

Electrical:

Power: 48 VDC +10% /-14%
Current: 4.2 Amps Max

Fail Safe Device:

Pressure Switch

Closes at 5 psi \pm 1 rising

Opens at 4 psi \pm 1 falling

Pressure Relief Valve - Opens at 30 psi \pm 5%

Ambient Air Temperature Limits for Operation:

5° to 40°C

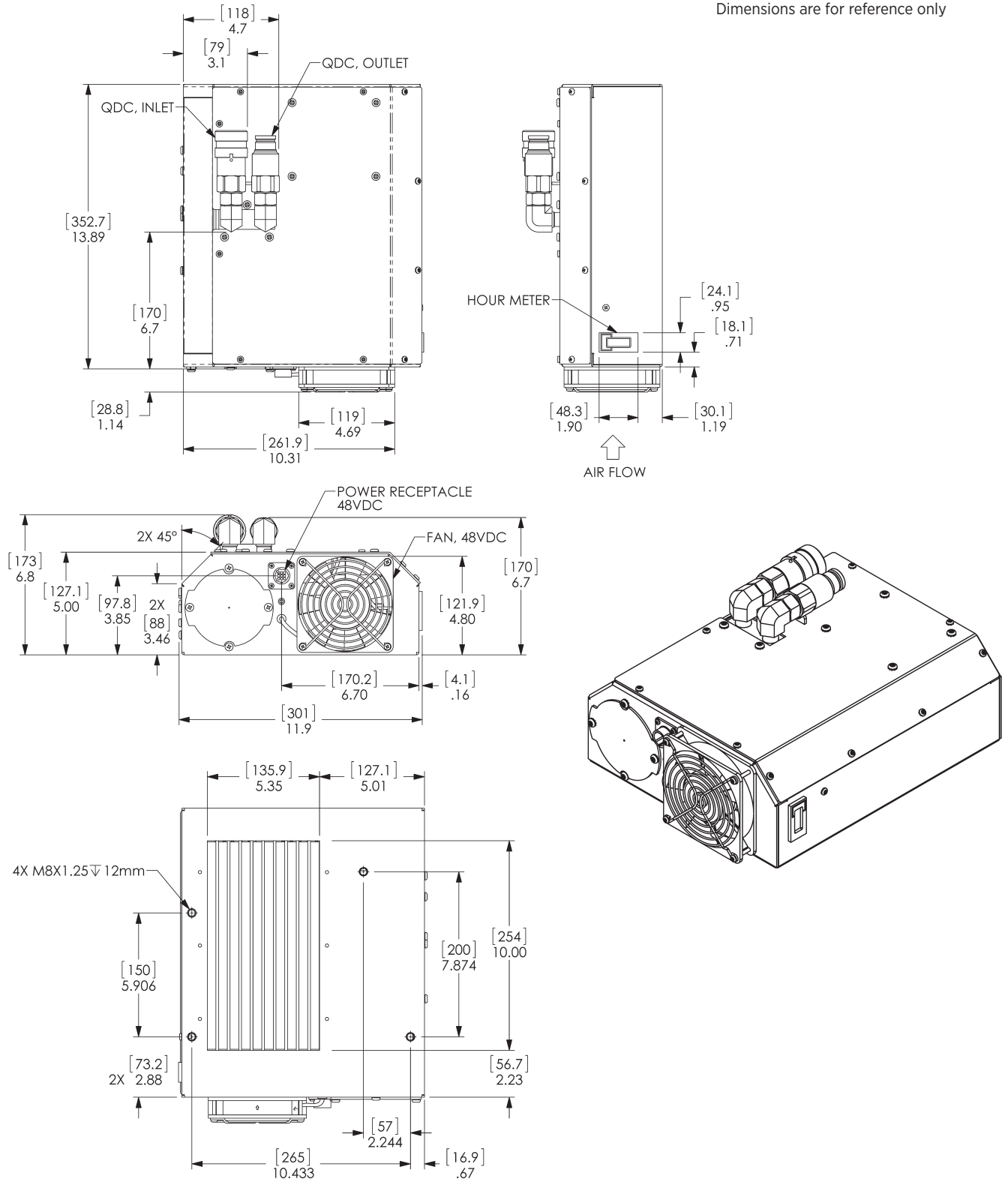
Max HE Housing Temperature: 80°C

**Connecting Oil Lines With Quick Disconnect Fittings:
To prevent air in housing from oil line quick disconnect fittings observe the following procedures.**

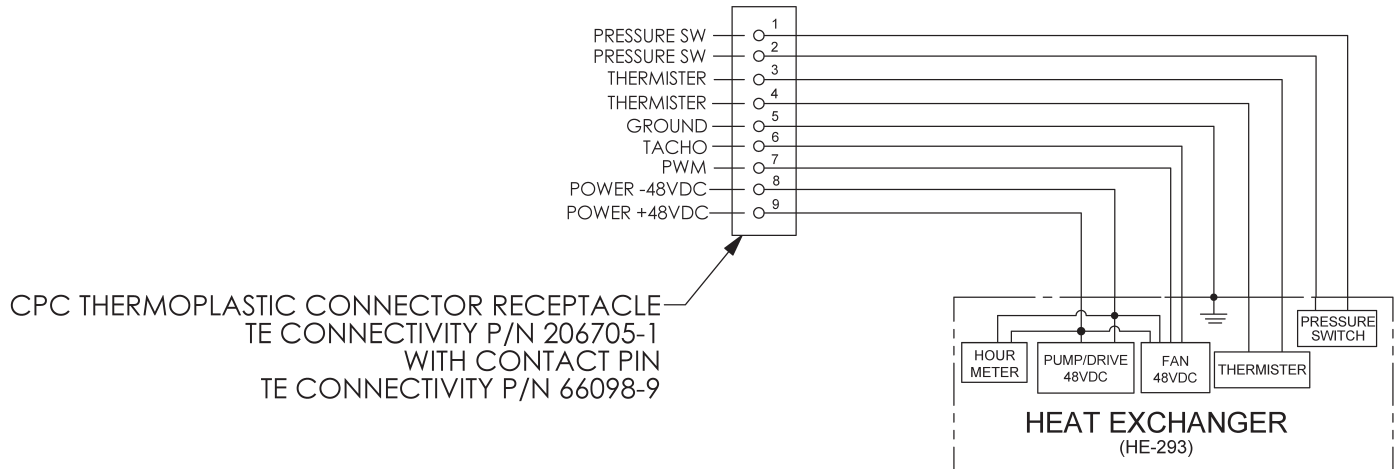
- A. Do not put side pressure on fittings from tie wrapping to cable bundles or coiling in tight circles.
- B. Do not run heat exchanger with fittings disconnected.

Outline Drawing

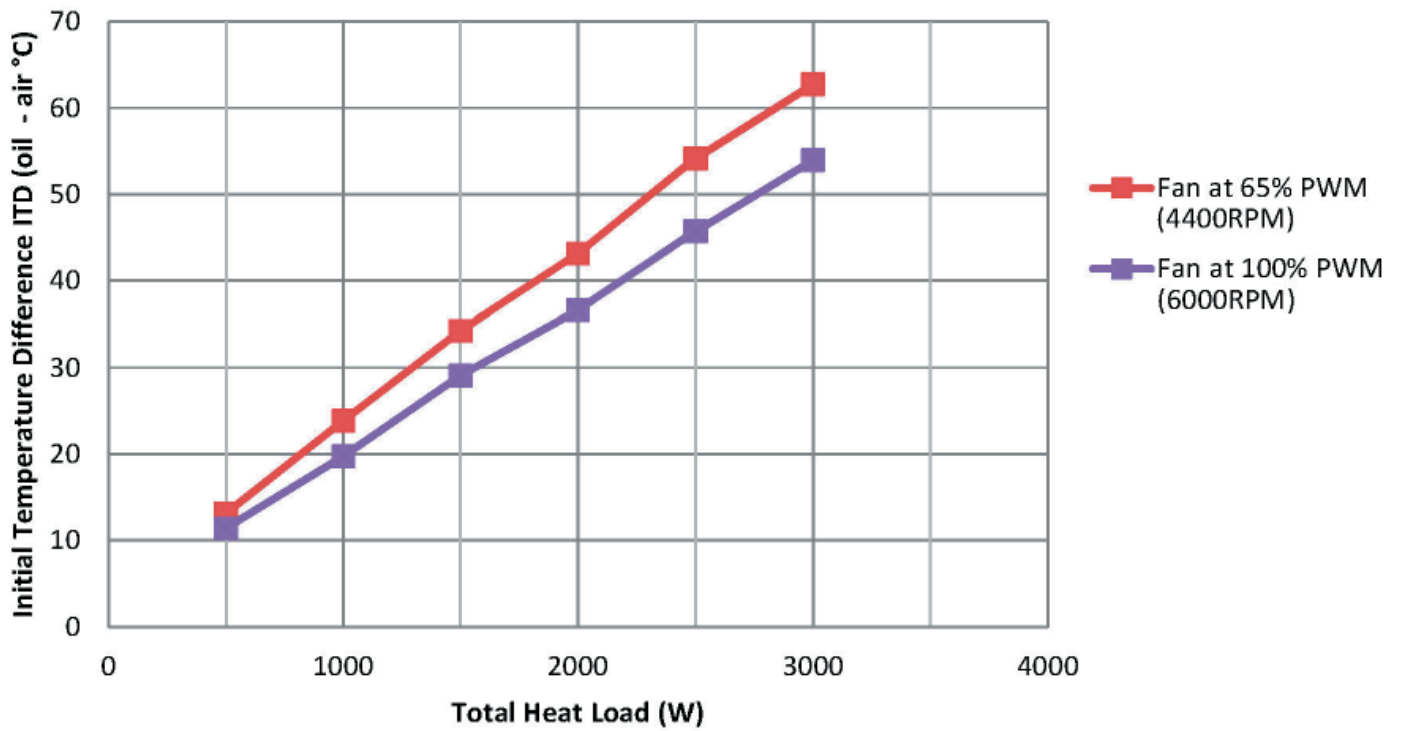
Dimensions are for reference only



Wiring Diagram



HE-293 Dissipation ITD vs Heat Load



Data taken at 1250M