

DESCRIPTION:

Heat Exchanger (oil to air) with single fan. This system uses an accumulator (integral to the pump) for oil volume changes due to temperature changes.

PERFORMANCE:

2.0 kW maximum continuous - Refer to cooling chart for DT ratings.

OIL HOSES:

30 inches minimum (0.75 meters)
40 feet maximum (12 meters)

POWER REQUIREMENTS:

HE-280	115 VAC	50/60 Hz	1.8 Amps
HE-281	230VAC	50/60 Hz	1.1 Amps

FAIL SAFE DEVICE:

Flow Switch - Normally open contacts. Contacts close with adequate oil flow.

DIMENSIONS:

Width - 9.6 inches (244 mm)
Length - 15.9 inches (404 mm)
Height - 4.4 inches (112 mm)

WEIGHT:

27.5 Pounds (12.5 kg)

MOUNTING:

Select mounting location where ambient temperature is low.

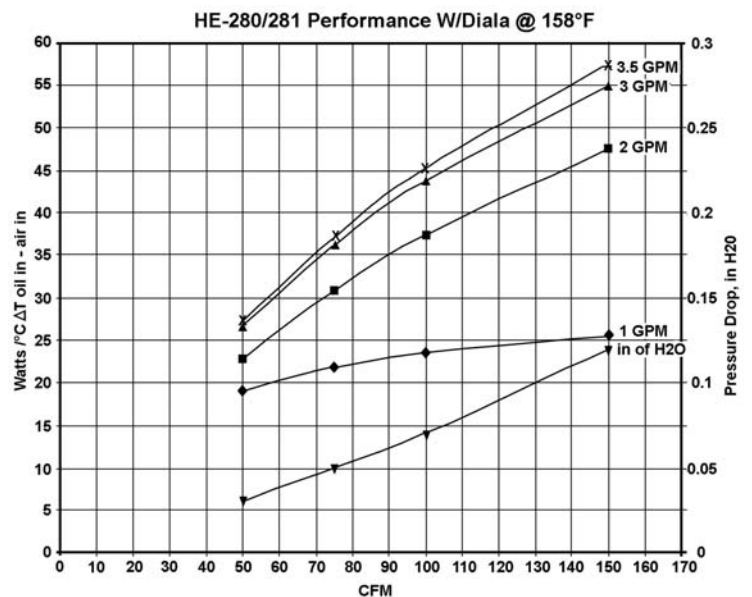
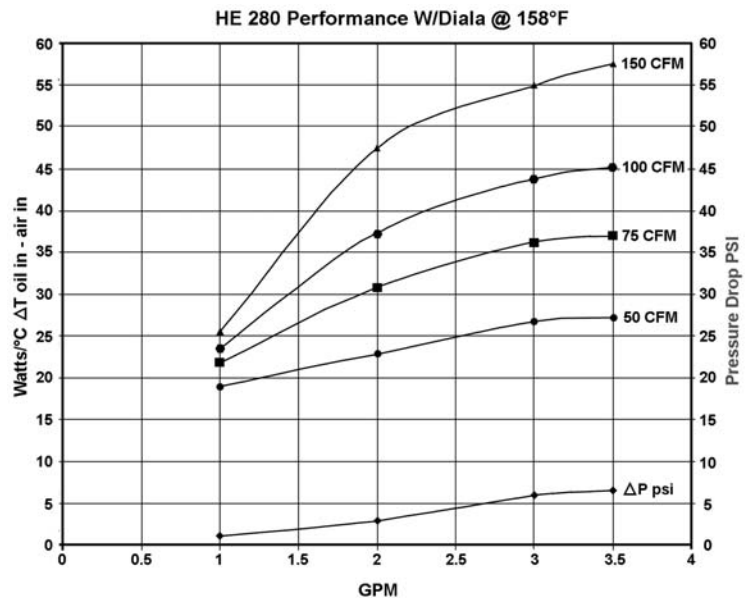
Connect power cord to source that is energized whenever x-ray tube with heat exchanger is selected.

Connect flow switch and thermal switch on housing in series with existing exposure interlocks.

CONNECTING OIL LINES WITH QUICK DISCONNECT FITTINGS:

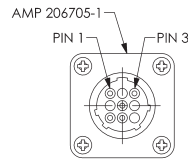
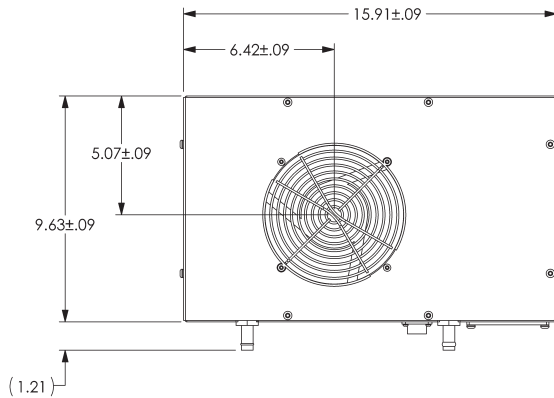
To prevent air in housing from oil line quick disconnect fittings observe the following procedures.

- A. Do not apply any side pressure on fittings such as from tie-wrapping to cable bundles or looping in tight circles.
- B. Never run heat exchanger with fittings disconnected.



OUTLINE DRAWING

Dimensions are for reference only



DETAIL A
SCALE 1 : 1

PIN (AMP 66099-4)	WIRE	
1	BLACK	POWER, PUMP AND FAN
5	GREEN/YELLOW	
3	WHITE	
7	PINK	FLOW SWITCH
8	PINK	

