

Heat Exchanger (Oil to Water)
Installation Information



DESCRIPTION:

Heat Exchanger (oil to water).
For use with B-130H, B-150H, B-160H and B-180H housings.

PERFORMANCE:

2.0 kW with the following conditions:
1) 2 GPM Water Flow (36°C)

OIL HOSES:

282 cm
1/4 inch I.D. hose diameter.

WATER HOSES

Parker-Push-Lok 801-6
Water hose length - 96.5 cm

POWER REQUIREMENTS:

100 - 120 VAC 50/60 Hz 2.0 Amps

DIMENSIONS:

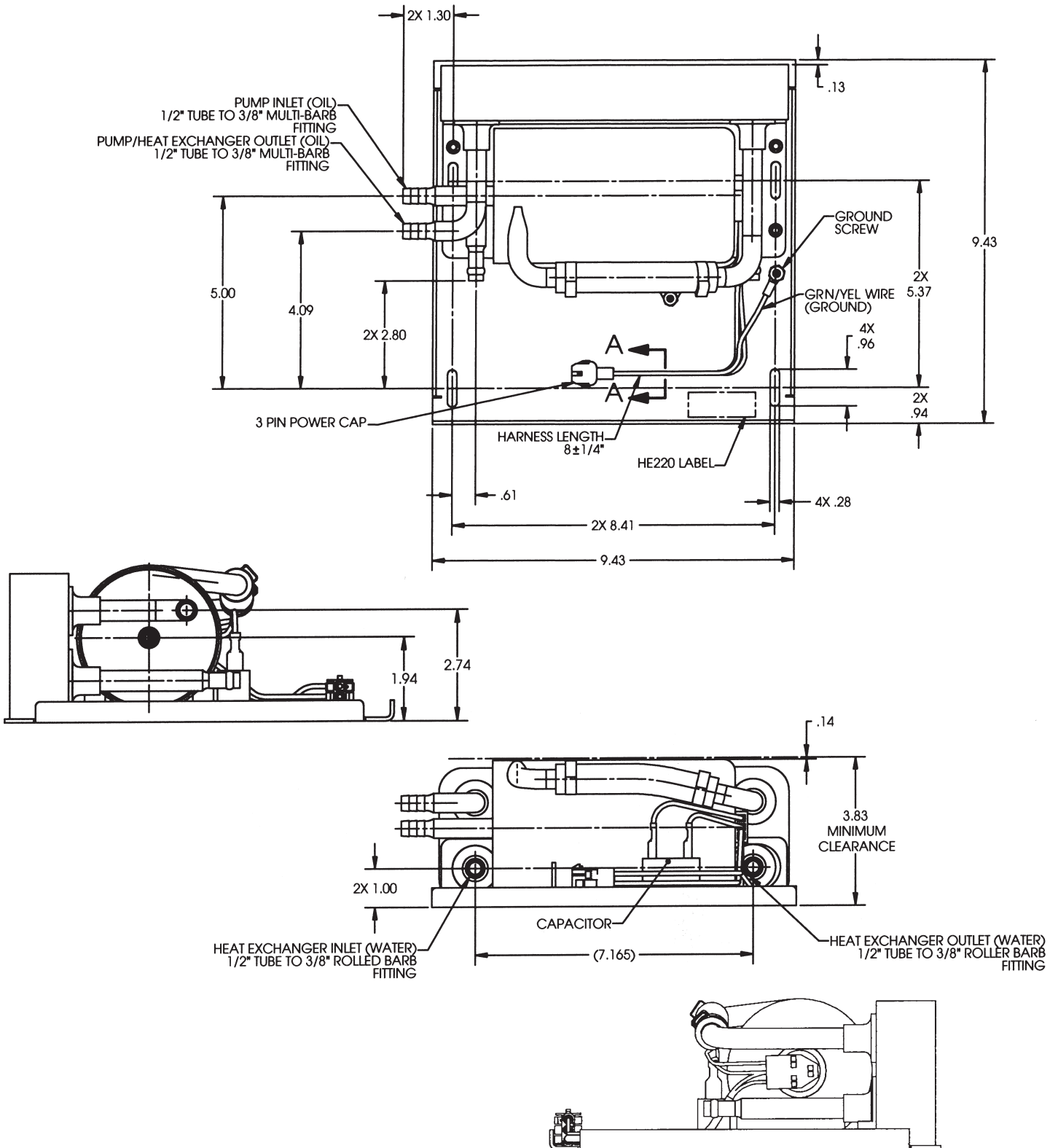
Width 9.43 inches (240 mm), Length 9.43 inches (240 mm), Height 3.83 inches (97 mm)

WEIGHT:

18.5 Pounds (8.4 kg)

Outline Drawing

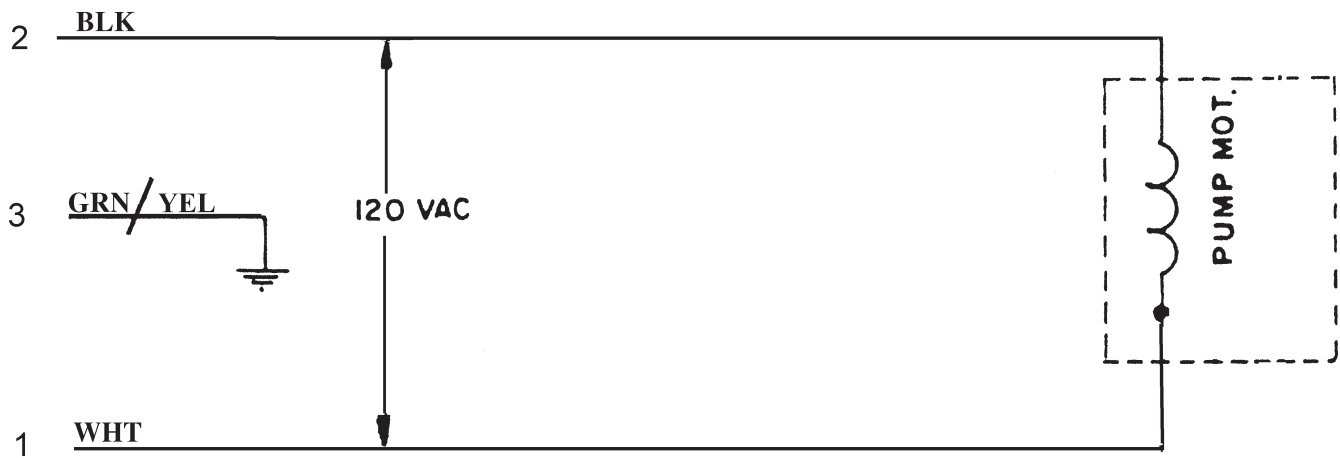
Dimensions are for reference only



Wiring Diagram

HE-220
120 VAC 50/60 Hz

J1 (Amp P/N 1-480701-0)



Cooling Characteristics

