

OPTICA™ 10 MANUAL COLLIMATOR



OVERVIEW

The Optica™ 10 is a manually operated collimator for integration with mobile and stationary radiography systems. The collimator is equipped with a long-life LED that projects a light field on the exposed area.

Aligning the detector under the X-ray beam is made easy with a single center bucky laser line or with double lasers in V-shape configuration as optical SID indication.

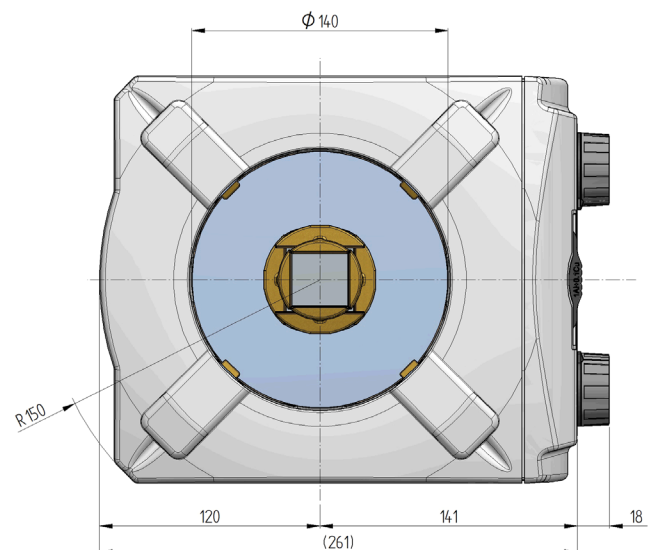
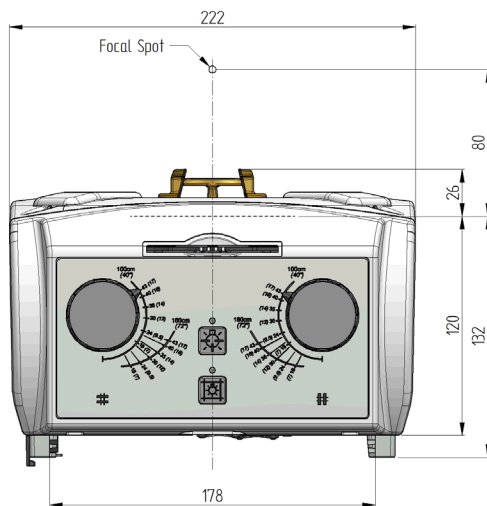
Beam filtration is possible with the optional filter module. Choose between: no filtration, aluminum filtration or aluminum + copper filtration.

The Optica 10 has an easily accessible internal USB port through which LED brightness, LED/laser timers and remote control can be configured.

The LED and laser can be controlled remotely via the Power and Communications connector by CAN protocol, digital I/O lines or RS232 (option).

APPLICATIONS

- Mobile and stationary X-ray equipment for radiography up to 150 kV tube voltage.



OPTICA™ 10

Technical Specifications

Application	Mobile and stationary X-ray equipment for radiography up to 150 kV tube voltage.
Shutters	Multilayer, 4 pairs of shutters in 2 layers.
Mode of operation	Manual
Collimation	Maximum field size: 43 x 43 cm at 1m SID
Attenuation Equivalent IEC 60601-1-3; §3.8 / §7.3 / §7.4	2.0 mm Aluminium equivalent (at 75 kVp, HVL 2.2 mm)
Added Filtration (optional) IEC 60601-1-3; §3.3 / §7.3 / §7.5;	Models with filter unit include a manual operated filter disk with 4 positions. Example filter combination: <ul style="list-style-type: none">◆ No added filter◆ 2 mm Al◆ 1 mm Al + 0.2 mm Cu◆ 1 mm Al + 0.1 mm Cu
Laser (optional)	Single bucky center line laser, Class 2 Or: double lasers, Class 2. Lines coincide on table when SID=1m
Light Source	White LED (≈5000K), adjustable luminosity. Light source can be controlled by push button, external signal ("on/off") and CAN-bus.
Timers for light field and laser(s)	Configurable timer, ≈10 seconds to ≈90 seconds. Factory setting: ≈30 seconds
Light Field Illuminance IEC 60601-2-54; §203.8.102.5	160-230 lx 1m from focus, 35x35 cm. Factory setting ≈ 200 lx. Light field intensity and timer can be set via USB connection.
Light field contrast IEC 60601-2-54; §203.8.102.5	4:1 at 1 m from focus, collimated to 35x35 cm
Leakage radiation	0.5 mGy/hr at 1m from focal spot, with 150 kVp, 4 mA
Mounting distance (mounting plane to focal spot)	80 ± 1mm
Accessory rails	Two accessory slots, 178 mm wide x 2 mm high. Optional: two accessory slots of 150 x 2 mm
Power Supply	DC model: 24 VDC; 24 VA AC/DC model: 12-45 VDC; 24 VA or 20-30 VAC; 35 VA; 50/60 Hz
Weight	6.0 kg
Operating conditions	Ambient temperature +15°C ≤ T ≤ +40°C; Relative humidity 30% ≤ RH ≤ 75%; Altitude ≤ 3000 m
Compliance	Conforms to the requirements of FDA (Class II) and the European Medical Device Directive (CE Mark, Class IIb)

MORE INFORMATION

Varex Imaging Corporation is a leading innovator, designer and manufacturer of X-ray imaging components, which includes tubes, digital flat panel detectors and other image processing solutions, which are key components of X-ray imaging systems.

For more information, please contact a Varex Imaging sales representative in your territory. Contact details are available at www.vareximaging.com/contact-information.



Headquarters
Salt Lake City, UT 84104
Tel: 801-972-5000
Fax: 801-973-5050

Connect & Control
The Netherlands
Tel: +31 315 659150
Netherlands.CNC@vareximaging.com

©2019 Varex Imaging Corporation. All Rights reserved.
Production of any of the material contained herein in any format or media without the express written permission of Varex Imaging Corporation is prohibited.

The data in this document is for reference only. Contents in this document are subject to change without notice.