



Note: Document originally drafted in the English language.
注释：文件最初用英语起草。

Product Description

The MX100-18™ housing is used for rotating anode inserts having 100mm (4 inch) diameter targets.

IEC Classification Class 1

Weight, Approximate:
Housing & Tube 26.3 kg (58 lbs)

Mounting Housing Bosses

™All trademarks property of the respective manufacturer.

产品说明

MX100-18™ 管套适用于具有 100 mm (4.0 in.) 直径靶盘的旋转阳极管芯。

IEC 分级： 1 类

近似重量：
管和管套： 26.3 kg (58 lbs)

安装 管套轮毂

™ 所有商标均属于各自的生产商

Product Description

Maximum Potential Difference 150 kV
 Cathode to Ground 82 kV
 Anode to Ground 82 kV
 Grid to Cathode (If Applicable) -4 kV

Grid Control Voltages:
 Typical Bias Voltage for Cutoff at 150 kV -3600 Vdc
 Grid Voltage for Exposure 0 Vdc

Maximum X-Ray Tube Assembly Heat Content
 1,110 kJ (1,554 kHU)

Maximum Continuous Heat Dissipation
 with Air Circulator 740 W (1,036 HU/sec)

Maximum Housing Temperature 85°C

X-Ray Tube Assembly
 Permanent Filtration 0.7mm Al IEC 60522

Loading Factors for Leakage Radiation 150 kV, 4.0 mA

Temperature Limits for Storage and Transport
 -9°C to + 70°C
 Humidity 10% to 90%
 Atmospheric Pressure Range 70 kPa to 106 kPa

Pressure Switch Normally Closed
 1A @ 125 Vac or 30 Vdc
 Open 5 PSIG (±1.0 PSIG)
 Close 4 PSIG (±1.0 PSIG)

X-Ray Tube Assembly (Complies to) IEC 60601-2-28

产品说明

最大电位差值 150 kV
 阴极到地 82 kV
 阳极到地 82 kV
 栅极与阴极的电压如果适用 -4 kV

栅极控制电压:
 150 kV 切断时典型偏压 -3600 Vdc
 曝光的栅极电压 0 Vdc

X 射线管组件最大热含量 1,110 kJ (1,554 kHU)

风扇的最大连续散热 740 W (1,036 HU/sec)

最大管套温度 85°C

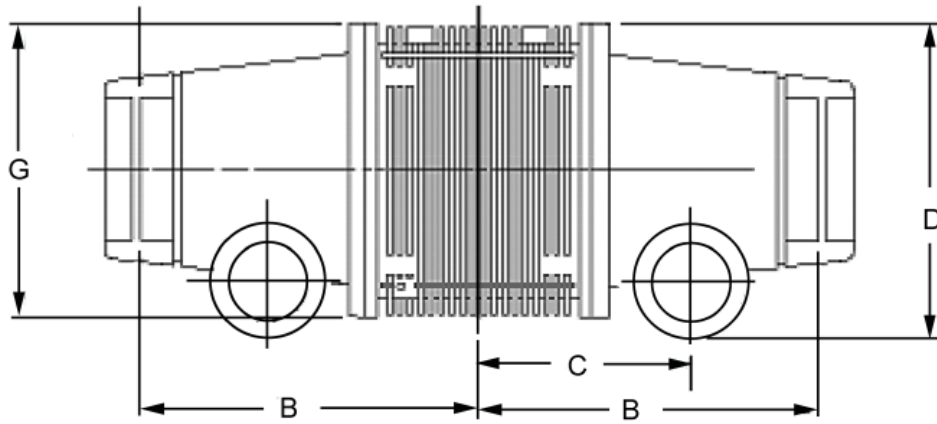
X 射线管组件:
 固有滤过 0.7mm Al IEC 60522

泄漏辐射测试条件: 150 kV, 4.0 mA

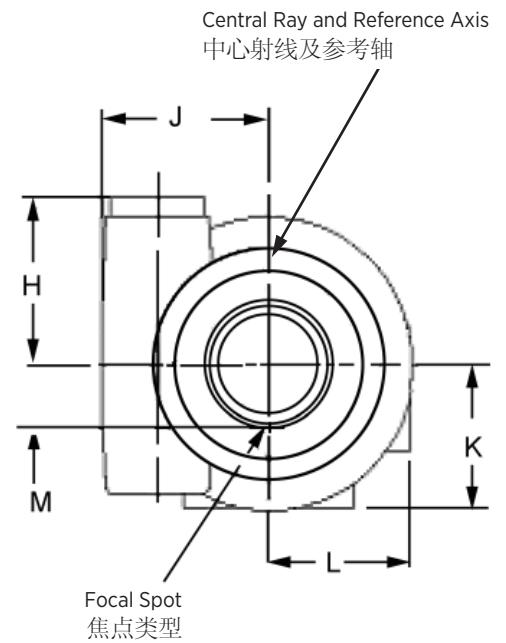
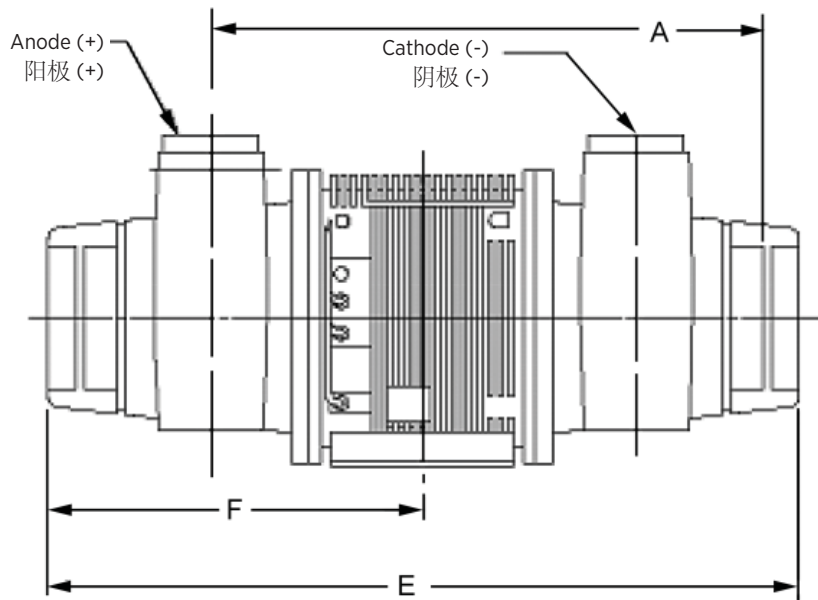
存储与运输温度限值 -9°C 到 +70°C
 湿度 10% 到 90%
 大气压范围 70 kPa - 106 kPa

压力开关: 正常闭合
 1A @ 125 Vac 或 30 Vdc
 打开 5 PSIG (±1.0 PSIG)
 关闭 4 PSIG (±1.0 PSIG)

X 射线管组件 (符合) IEC 60601-2-28

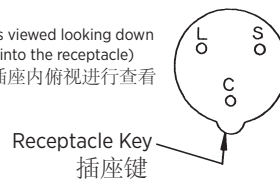


Dimensions are for reference only
维度是供仅参考

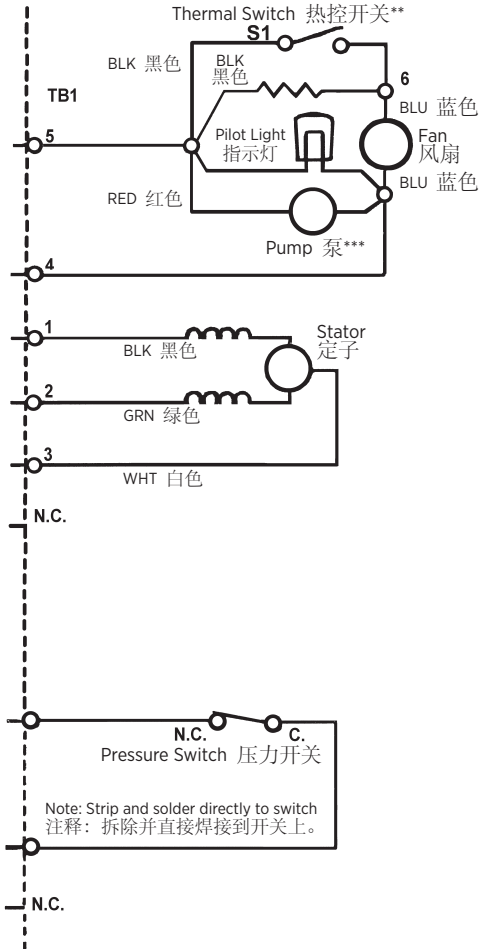


| 尺寸数据 | | |
|------|-------|-------|
| | 英寸 | 毫米 |
| A | 11.76 | 298.7 |
| B | 9.40 | 238.8 |
| C | 5.89 | 148.5 |
| D | 8.60 | 218.4 |
| E | 20.75 | 527.1 |
| F | 10.38 | 263.7 |
| G | 8.00 | 203.2 |
| H | 4.52 | 114.8 |
| J | 4.60 | 116.8 |
| K | 3.91 | 99.3 |
| L | 3.90 | 99.1 |
| M | 1.60 | 40.6 |

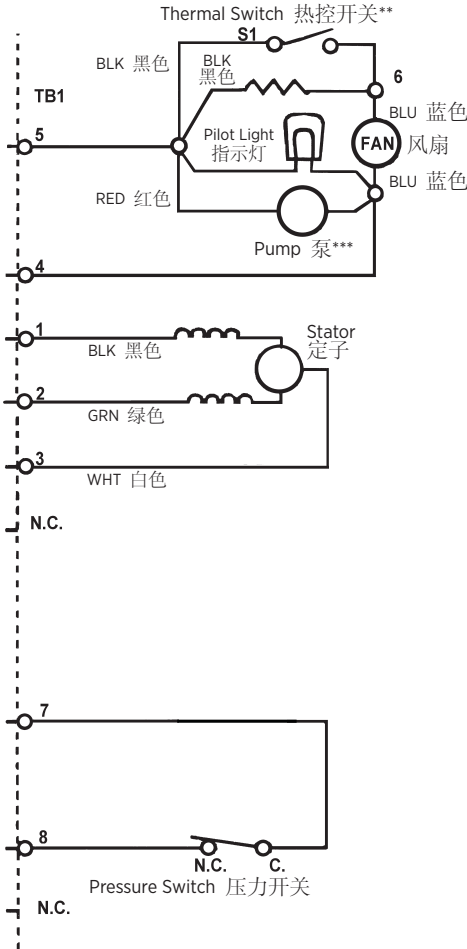
(As viewed looking down
into the receptacle)
向插座内俯视进行查看



6 Position Terminal Strip 6 定位终端条



8 Position Terminal Strip 8 定位终端条



| Stator Drive Frequency 定子驱动频率 | RPM |
|----------------------------------|----------------------------------|
| 50/60 Hz 150/180 Hz | 2800/3400 ±10% 8200/9600 ±10% |

Note:
Check wiring of tube and change as necessary to make it look like above diagram.
**Used on tubes with 2 speed fans
***May not be present

注释:
检查射线管的配线, 并根据需要进行更改以使其看起来像上面的图解。
**在配有二个高速风扇的射线管上使用
***可能不存在

Stator Coil Resistance: 23 / 23 / 46 Ω

| Voltage: | 23 / 23 / 46 Ω | |
|----------|----------------|--------|
| | Start | Run |
| 60Hz | 230 VAC | 75 VAC |
| 180Hz | 400 VAC | 85 VAC |

| Amperes: | 23 / 23 / 46 Ω | |
|----------|----------------|-------|
| | Start | Run |
| 60 Hz | 6.3 A | 1.5 A |
| 180 Hz | 10.3 A | 2.4 A |

Time to Full Speed:

| | | |
|--------|------------|-----------|
| 60 Hz | 0-3000 RPM | .98 sec. |
| 180 Hz | 0-9000 RPM | 1.33 sec. |

Brake Voltage 106 VDC

| | |
|-----------------|----------|
| Low Speed Time | 2 sec. |
| High Speed Time | 3.5 sec. |

定子线圈电阻: 23 / 23 / 46 Ω

| 电压: | 23 / 23 / 46 Ω | |
|-------|----------------|--------|
| | 启动 | 运行 |
| 60Hz | 230 VAC | 75 VAC |
| 180Hz | 400 VAC | 85 VAC |

| 安培: | 23 / 23 / 46 Ω | |
|--------|----------------|-------|
| | 启动 | 运行 |
| 60 Hz | 6.3 A | 1.5 A |
| 180 Hz | 10.3 A | 2.4 A |

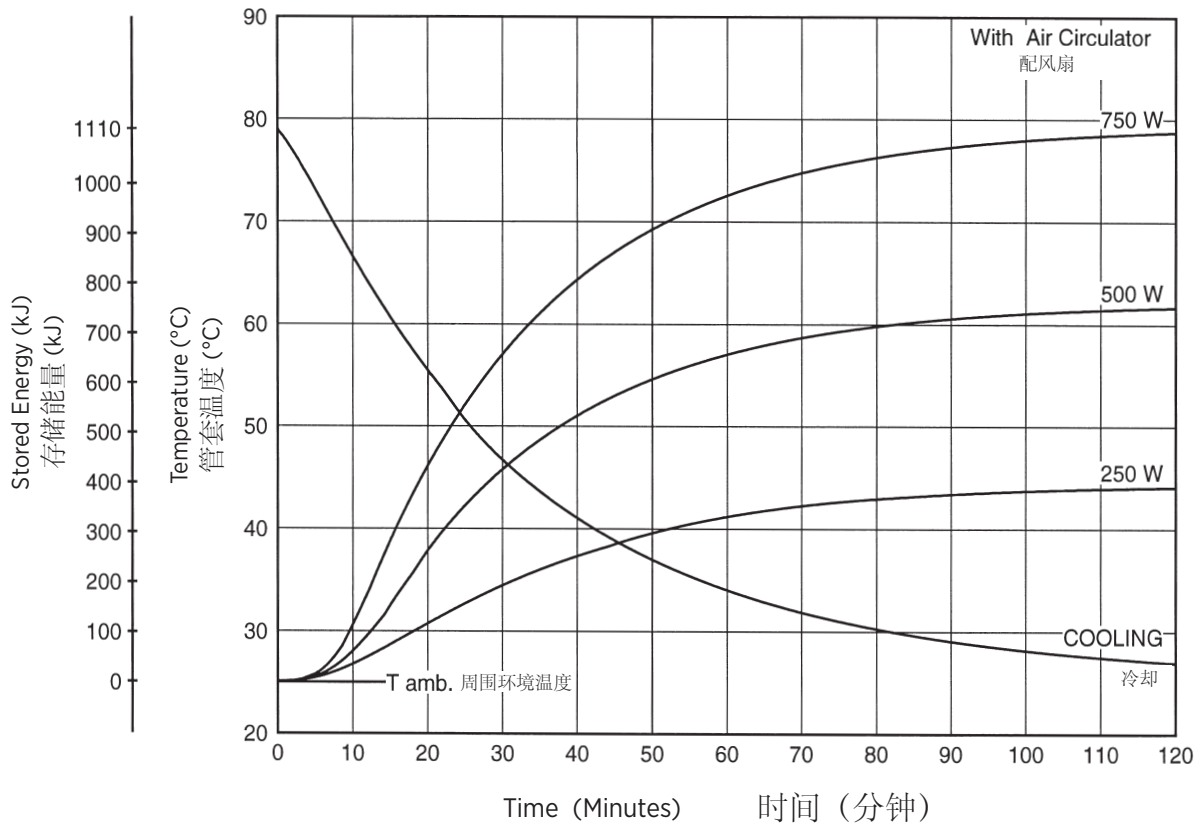
达到全速的时间:

| | | |
|--------|------------|-----------|
| 60 Hz | 0-3000 RPM | .98 sec. |
| 180 Hz | 0-9000 RPM | 1.33 sec. |

制动电压 106 VDC

| | |
|------|-------|
| 低速时间 | 2 秒 |
| 高速时间 | 3.5 秒 |

Tube Housing Assembly Heating and Cooling
管套组件加热与冷却



Note:

1. Heat inputs into housing include tube power, filament power, and stator power.
2. Heating curves based on no restrictions of natural convection around tube housing assembly.

注释:

1. 向管套的热量输入包括管功率、灯丝功率和定子功率。
2. 加热曲线以管套组件周围无自然对流的限制为根据。

