



Note: Document originally drafted in the English language.
 注释：文件最初用英语起草。

Product Description

The B-145A housing is designed for Varex Imaging rotating anode inserts having 71mm (3 inch) diameter targets.

IEC Classification Class 1

Weight, Approximate:
 Housing & Tube 14.51 kg (32 lbs)

Mounting Port

Stator Cord 3 Feet (0.9m)

产品说明

B-145A 管套适用于具有 71 mm (3 in.) 直径靶盘的万睿视影像旋转阳极管芯。

IEC 分级 1 类

近似重量：
 管与管套 14.51 kg (32 lbs)

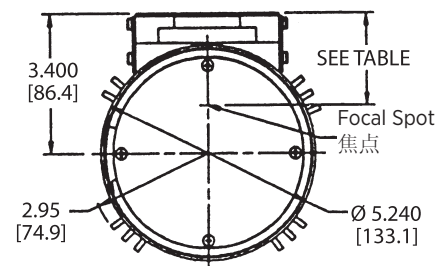
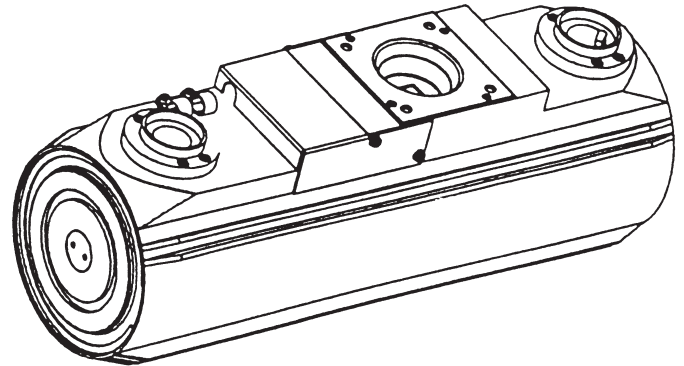
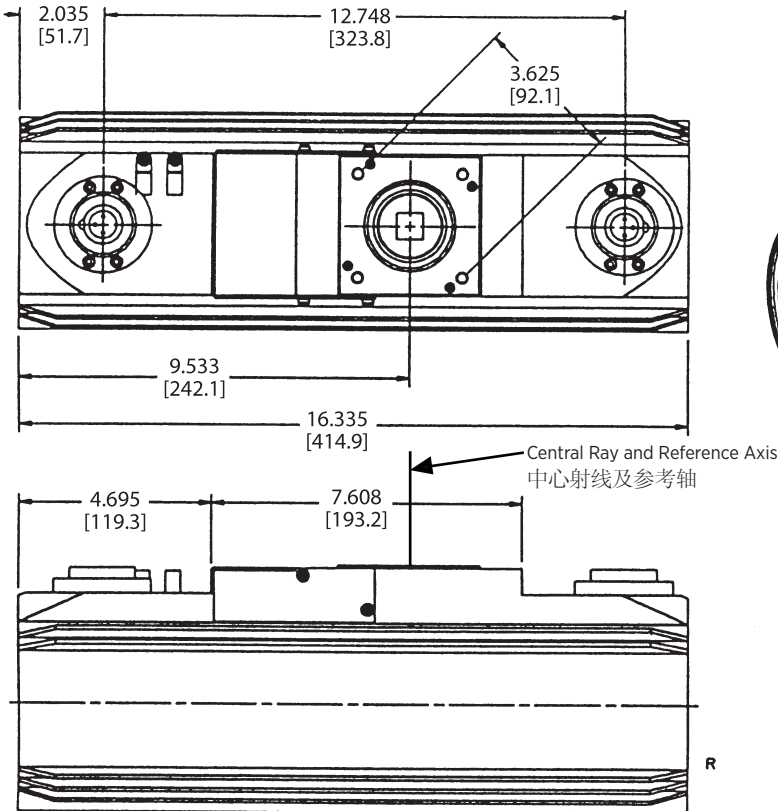
安装 端口

定子电缆 0.9m (3 ft)

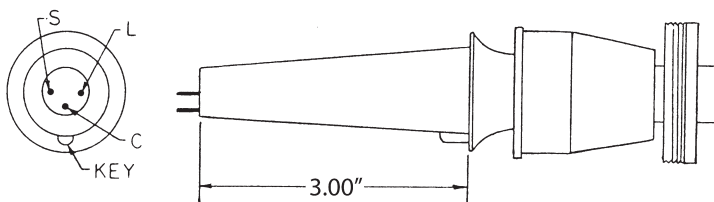
Product Description	
Maximum Potential Difference	125 kV
Cathode to Ground	63 kV
Anode to Ground	63 kV
Maximum X-Ray Tube Assembly Heat Content	500 kJ (675 kHU)
Nominal Continuous Input Power (Maximum Housing Temperature 78°C)	140 W (189 HU/sec) IEC 60613:2010
X-ray tube assembly cooling is provided by ambient air flow.	
X-Ray Tube Assembly Permanent Filtration 0.7mm Al/75 kV IEC 60522/1999	
Loading Factors for Leakage Radiation 125 kV, 4.0 mA	
Thermal Switch	Normally Closed 7A @ 120 Vac or 30 Vdc Max.
Open	85°C ±3.9°C (185°F ±7°F)
X-Ray Tube Assembly (Complies to) IEC 60601-2-28	

产品说明	
最大电位差值	125 kV
阴极到地	63 kV
阳极到地	63 kV
最大 X 射线管组件热含量	500 kJ (675 kHU)
标称持续输入功率 (最大管套温度 - 78°C)	140 W (189 HU/sec) IEC 60613:2010
X射线管组件通过其周围空气流进行冷却。	
X 射线管组件 固有滤过 0.7mm Al/75 kV IEC 60522/1999	
泄漏辐射测试条件	125 kV, 4.0 mA
热控开关	正常情况下为闭合状态 7A @ 120 Vac or 30 Vdc Max.
打开	85°C ±3.9°C (185°F ±7°F)
X 射线管组件 (符合) IEC 60601-2-28	

Dimensions are for Reference only
维度是供仅参考



Insert 管芯	Focal Spot to Port Distance 焦点与端口的距离
3" Series	2.25" ±0.40 (57.1mm ±1.0mm)
Rad Series	2.12" ±0.40 (53.8 mm ±1.0mm)

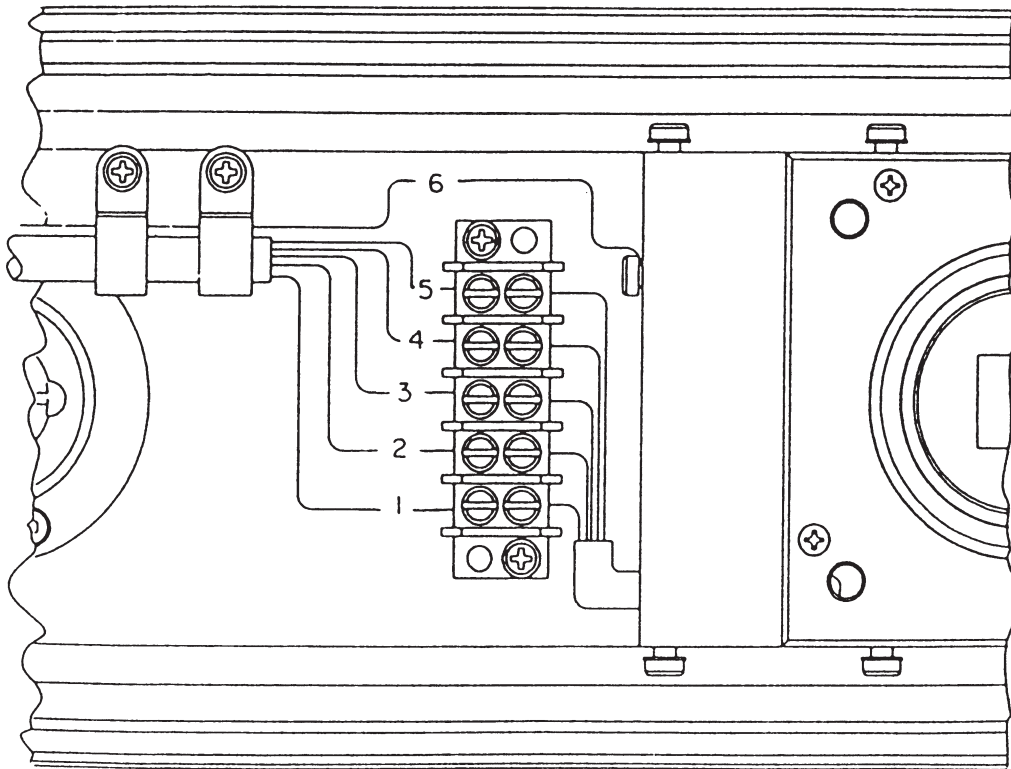


FT 3 Pin - 小直径75kV 缆绳与紧凑逐渐变得尖细插座在一个末端和联邦标准终端在另一边。可利用在5ft。(FT 005) 对100 ft。(FT-100) 长度。

可利用通过:
Parker Medical, Inc.
137 New Milford Road East
Route 67
Bridgewater, CT 06752
Phone (203) 350-4304
Phone (203) 350-3432

注: 1. 指定直接或90度终止为联邦和逐渐变得尖细连接。
2. 指定分裂应变消除为设备要求缆绳被拉扯通过小开头。

Stator - Wiring Diagram 定子 - 连线图



Wire Color 导线颜色	Description 描述
1 White 白色	Common 公共
2 Black 黑色	Phase 相
3 Green 绿色	Phase Shift 相移
4 Red 红色	Thermal Switch 热控开关
5 Orange 橘色	Thermal Switch 热控开关
6 Green/Yellow 绿色/黄色	Ground 管套接地线

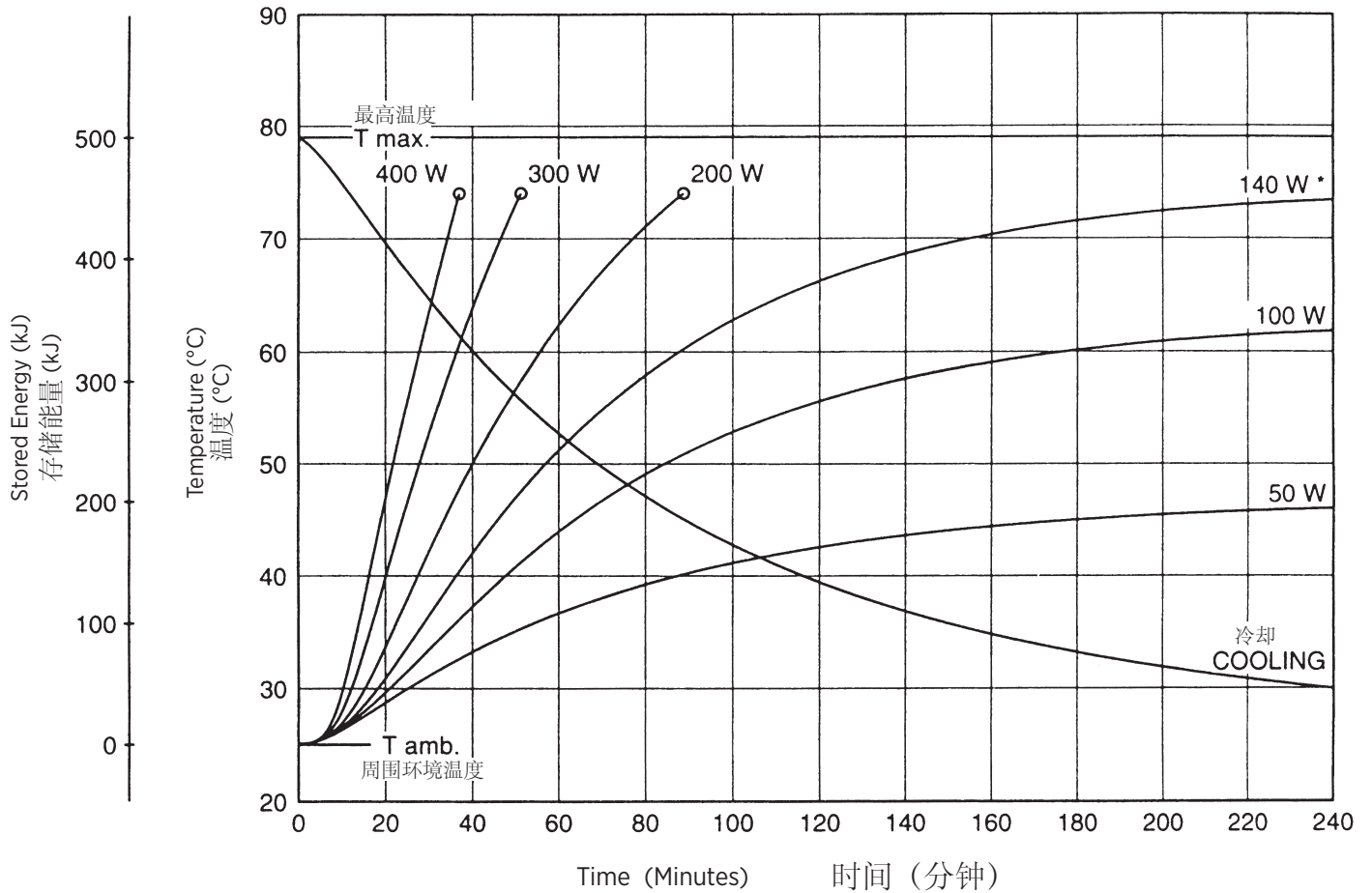
"R" Stators	"R" 定子	
Black - White	黑/白	16 Ω
Black - Green	黑/绿	66 Ω
Green - White	绿/白	50 Ω
180 Hz Cap	180 Hz 电容	6 μF
60 Hz Cap	60 Hz 电容	30 μF

Stator Drive Frequency 定子驱动频率	RPM
50 Hz	2800 - 3000
60 Hz	3400 - 3600
150 Hz	8500 - 9000
180 Hz	9500 - 10,800

Stator Power: 50/60 Hz Only
Time to full speed of the anode is a function of the power rating of the "starter" and the weight / diameter of the anode. Time to full speed of 3 inch (71mm) anode series tubes is between 0.5 and 1.0 seconds.

定子功率: 50/60 Hz Only
阳极达到全速的时间是“起启动器”的额定功率以及阳极重量和直径的函数。71 mm (3in.) 阳极系列管达到全速的时间在 0.5 到 1.0 秒之间。

X 射线管汇编热化/冷却的曲线



Note:

Heat inputs into housing include tube power, filament power, and stator power. Heating curves based on no restrictions of natural convection around tube housing assembly.

注释:

向管套的热量输入包括管功率、灯丝功率和定子功率。加热曲线以管套组件周围无自然对流的限制为根据。

