



Note: Document originally drafted in the English language.
注释：文件最初用英语起草。

Product Description

The RX85™ housing is used for rotating anode inserts having 100mm (4 inch) diameter targets.

IEC Classification Class 1

Weight, Approximate:
Housing & Tube 23 kg (51 lbs)

Mounting Trunnion

™All trademarks property of the respective manufacturer.

产品说明

RX85™ 管套适用于具有 100 mm (4 in) 直径靶盘的旋转阳极管芯。

IEC 分级 1 类

近似重量：
管和管套 23 kg (51 lbs)

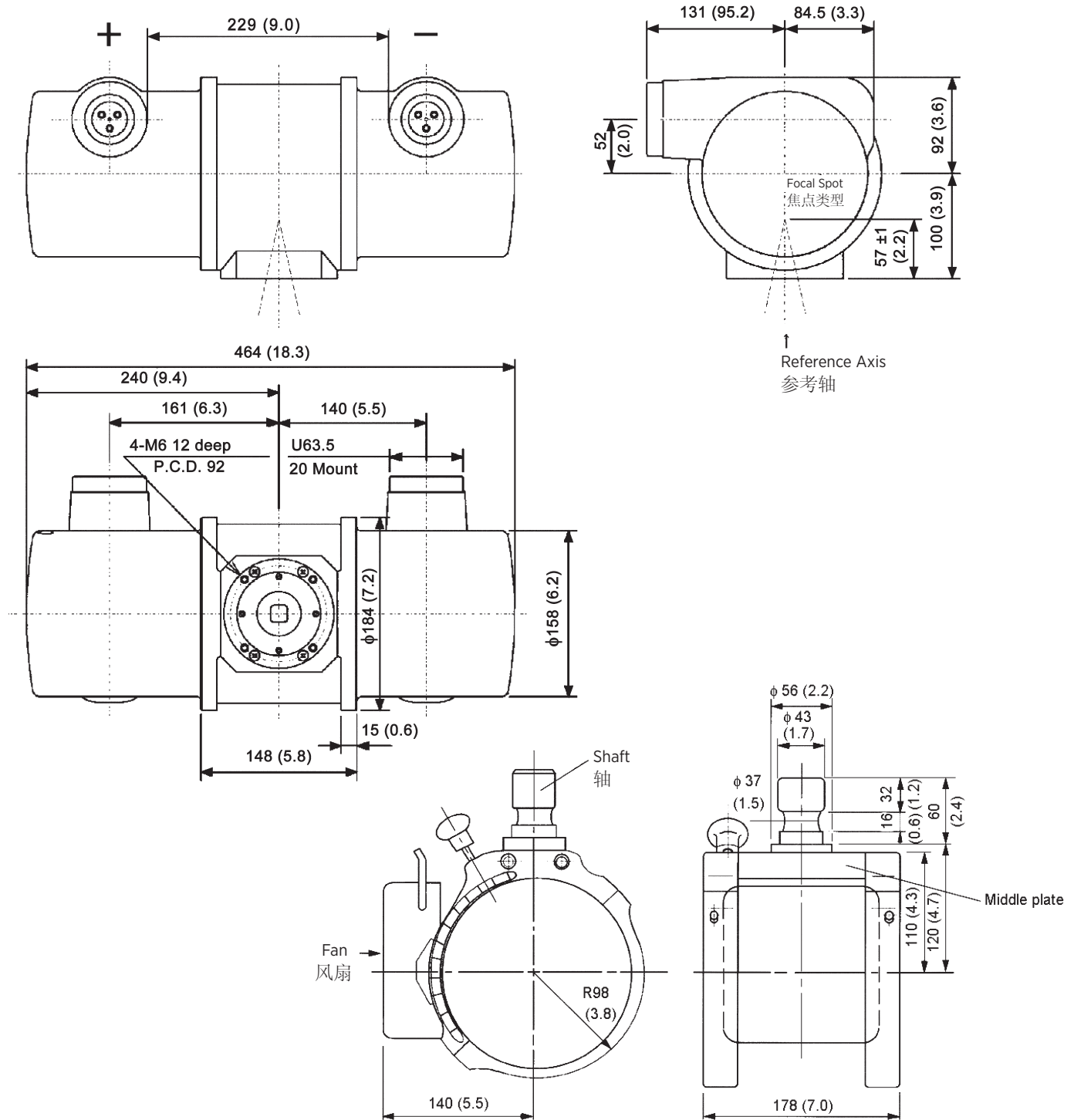
安装 管箍

™ 所有商标均属于各自的生产商

Product Description	
Maximum Potential Difference	150 kV
Cathode to Ground	75 kV
Anode to Ground	75 kV
Maximum X-Ray Tube Assembly Heat Content	1,100 kJ (1,600 kHU)
Maximum Housing Temperature	83°C
Maximum Continuous Heat Dissipation without fan	235 W (330 HU/sec)
X-Ray Tube Assembly	
Permanent Filtration	0.7 mm AL / 70 kV IEC 60522
Loading Factors for Leakage Radiation	125 kV, 3.4 mA
Temperature Limits for Storage and Transport	
.....	-25°C to + 70°C
Humidity	10% to 90%
Atmospheric Pressure Range	70 kPa to 106 kPa
Thermal Switch	Normally Closed
	Opens at 85°C (185°F)
	Closes at 74°C (165°F)
	125 VAC @ 15A
	250 VAC @ 10A
X-Ray Tube Assembly (Complies to)	IEC 60601-2-28

产品说明	
最大电位差值	150 kV
阴极到地	75 kV
阳极到地	75 kV
最大 X 射线管组件热含量	1,100 kJ (1,600 kHU)
最大管套温度	83°C
最大连续散热	
不带风扇	235 W (330 HU/sec)
X 射线管组件	
固有滤过	0.7 mm AL / 70 kV IEC 60522
泄漏辐射测试条件	125 kV, 3.4 mA
存储与运输温度限值	
湿度	-25°C - +70°C
大气压范围	10% - 90%
	70 kPa - 106 kPa
热控开关	正常情况下为闭合状态
	开口温度 85°C (185°F)
	收盘在温度 74°C (165°F)
	125 VAC @ 15A
	250 VAC @ 10A
X 射线管组件 (符合)	IEC 60601-2-28

Dimensions are for reference only
维度是供仅参考



UNIT: mm (inch)

Supporter and Fan

Stator - Wiring Diagram - Refer to the equipment manufacturer's instructions.

定子 — 连线图 — 参考设备制造商说明

Stator Drive Frequency 定子驱动频率	RPM
50 Hz	2800 - 3000 RPM
60 Hz	3400 - 3600 RPM
150 Hz	8500 - 9000 RPM
180 Hz	9500 - 10,800 RPM

Stator Power:

Time to full speed of the anode is a function of the power rating of the “starter” and the weight / diameter of the anode. The RX85 stator is rated for regular speed and high speed starters.

Voltage:	Start	Run
60Hz	220 VAC	220 VAC every few sec
180Hz	290 VAC	290 VAC every few sec

Time to Full Speed:

50/60 Hz	1.0 sec.
150/180 Hz	2.0 sec.

Brake - 220 VAC (60 Hz) from 180 Hz to 60 Hz

定子功率:

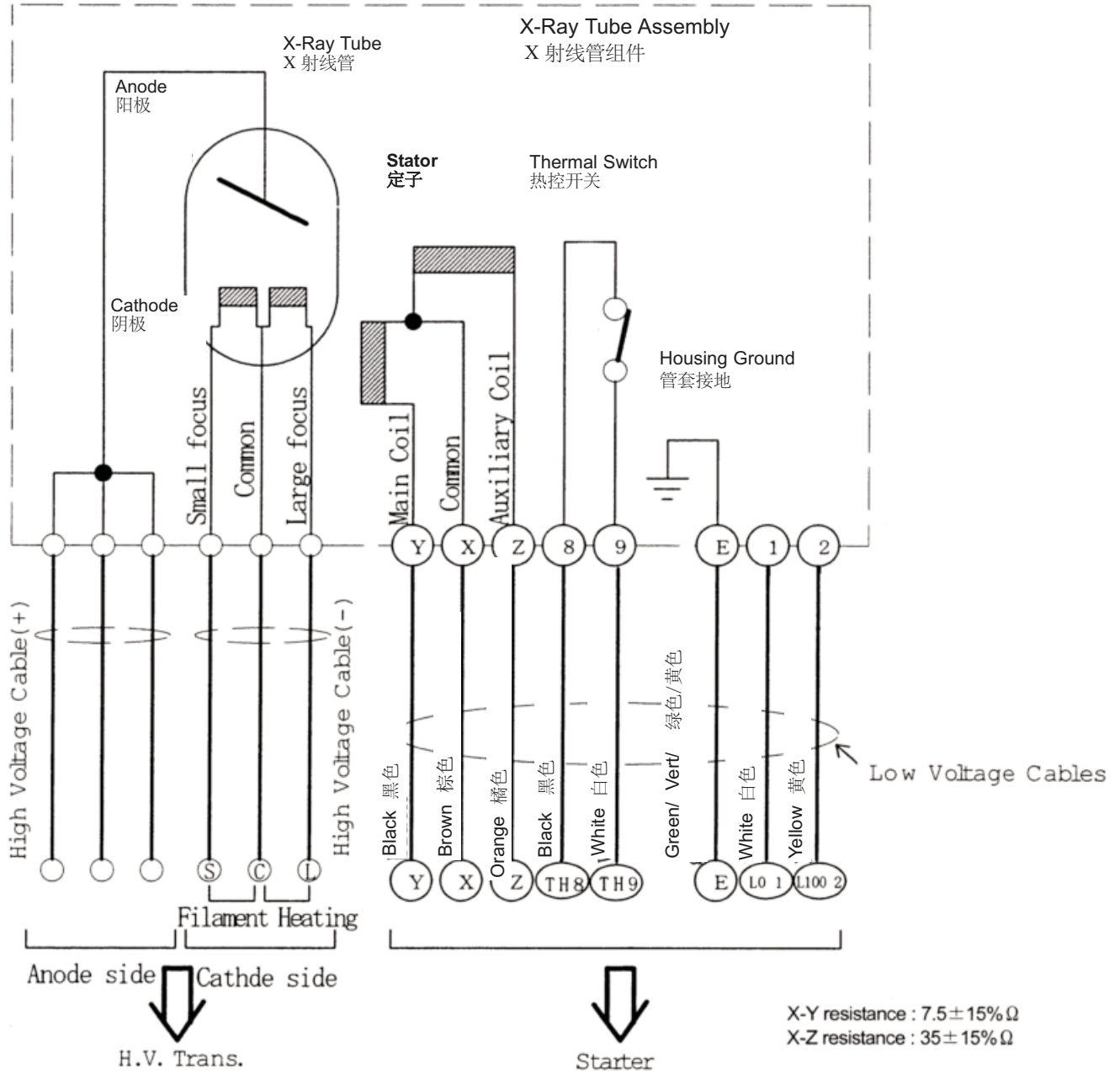
阳极达到全速的时间是“启动器”额定功率和阳极重量/直径的一个函数。RX85定子将按照常速和全速定子进行鉴定。

电压:	启动	运行
60Hz	220 VAC	220 VAC
180Hz	290 VAC	290 VAC

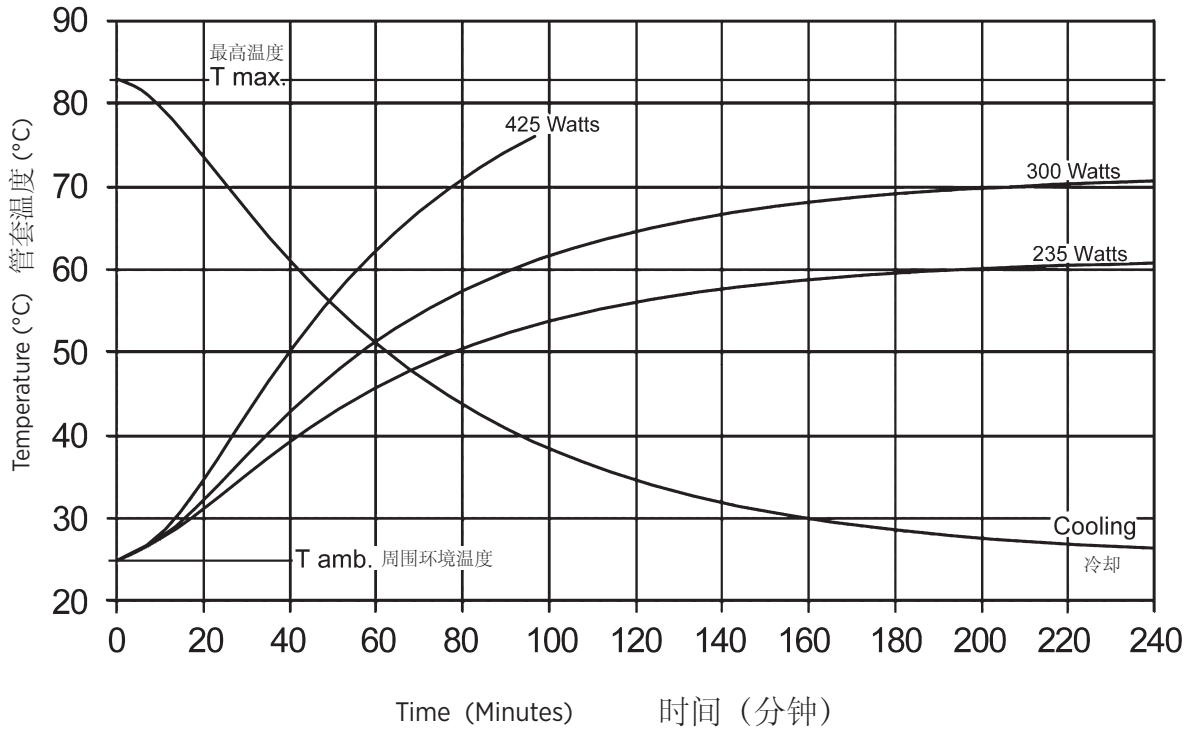
达到全速的时间:

50/60 Hz	1.0 sec.
150/180 Hz	2.0 sec.

制动电压 - 220 VAC (60 Hz)从180 Hz到60 Hz



Tube Housing Assembly Heating and Cooling
管套组件加热与冷却



Note:
Heat inputs into housing include tube power, filament power, and stator power. Heating curves based on no restrictions of natural convection around tube housing assembly.

注释:
向管套的热量输入包括管功率、灯丝功率和定子功率。加热曲线以管套组件周围无自然对流的限制为根据。