



Note: Document originally drafted in the English language.
注释：文件最初用英语起草。

Product Description

The B-115 housing is designed for Varex Imaging mammography inserts.

IEC Classification Class 1

Weight, Approximate:

Housing 10.2 kg (22.5 lbs)

Stator Cord 4.5 m (14 Ft)

Mounting Port

X-Ray Tube Assembly (Complies to).. IEC 60601-2-28

产品说明

B-115 管套经设计，可用于万睿视影像乳腺放射成像管芯。

IEC 分级： 1 类

近似重量：

管套 10.2 kg (22.5 lbs)

定子电缆 4.5 m (14 ft)

安装 端口

X 射线管组件（符合） IEC 60601-2-28

Product Description

Nominal X-ray Tube Voltage
 Maximum Cathode to Ground 0 kV
 Maximum Anode to Ground 39 - 49 kV

Grid Control Voltages: (If Applicable)
 Typical Bias Voltage for Focals -5 to -100 Vdc

Maximum X-Ray Tube Heat Content 370 kJ (500 kHU)

Nominal Continuous Input Power
 100 Watts (135 HU/sec)
 IEC 60613:2010

Maximum Housing Temperature 78°C

X-Ray Tube Assembly
 Permanent Filtration ... 0.63 mm Be IEC 60522/1999
 (0.0mm Al/49 kV)

Leakage Technique Factors 49 kV, 2.0 mA

Cable Receptacles Non Federal Standard
 55 kV - Rating

Thermal Switch normally closed
 Open 79.4°C ±3.9°C (175°F ±7°F)
 Rating - 10 A @ 240Vac

Ambient Air Temperature Limits for Operation
 5°C to 40°C

Temperature Limits for Storage and Transportation
 -10°C to 75°C
 Humidity +10% to +90%
 Atmospheric Pressure Range 70 kPa to 106 kPa

产品说明

X 射线管的标称管电压
 阴极与地线的最高电压 0 kV
 阳极与地线的最高电压 39 - 49 kV

栅极控制电压：（如果适用）
 典型焦点偏压 -5 到 -100Vdc

最大 X 射线管组件热容量 370 kJ (500 kHU)

标称持续输入功率 100 Watts (135 HU/sec)
 IEC 60613:2010

最大管套温度 78°C

X 射线管组件：
 固有滤过 0.63 mm Be IEC 60522/1999
 (0.0mm Al/49 kV)

泄漏测试条件 49 kV, 2.0 mA

电缆插座 非联邦标准
 55 kV - 额定

热控开关 正常闭合
 打开 79.4°C ±3.9°C (175°F ±7°F)
 额定 - 10 A @ 240Vca

环境气温工作限值 5°C 到 40°C

存储与运输温度限值 -10°C 到 75°C
 湿度 10% 到 90%
 大气压范围 70 kPa à 106 kPa

注释:

1. 标准端口轴套尺寸
米制 M6 X1.0 经请求可用
2. **PORT BASS DIMENSION**
端口轴套尺寸

For Determining Focal Spot to Port Distance
确定焦点与端口之间的距离

M-101, M-101G, M-107, M-131, M-141, M-141G, M-143, RAD-855

标准/米制端口轴套
DIM. F = 2.97 INCHES [75.4mm]
DIM. I = 1.85 INCHES [47mm]

扩展端口轴套
DIM. F = 3.20 INCHES [81.3mm]
DIM. I = 2.08 INCHES [52.8mm]

M-145, M-147, M-147SP

标准/米制端口轴套
DIM. F = 2.97 INCHES [75.4mm]
DIM. I = 1.74 INCHES [44.2mm]

扩展端口轴套
DIM. F = 3.20 INCHES [81.3mm]
DIM. I = 1.97 INCHES [50.0mm]

M-105SP, M-109, M-149

标准/米制端口轴套
DIM. F = 2.97 INCHES [75.4mm]
DIM. I = 1.66 INCHES [42.2mm]

扩展端口轴套
DIM. F = 3.20 INCHES [81.3mm]
DIM. I = 1.89 INCHES [48mm]

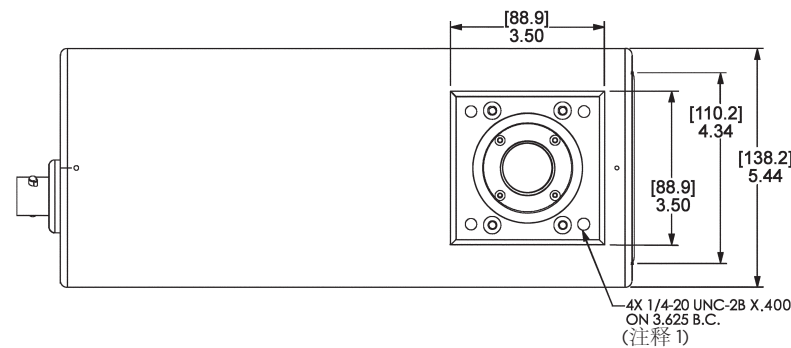
BIANGULAR INSERTS 双角管芯
M-113 Series, M-171

标准/米制端口轴套
DIM. F = 2.97 INCHES [75.4mm]
DIM. I = 参考图画

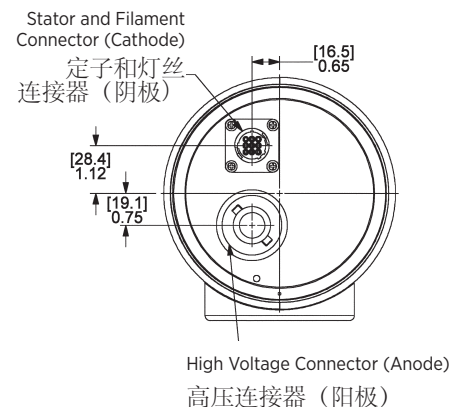
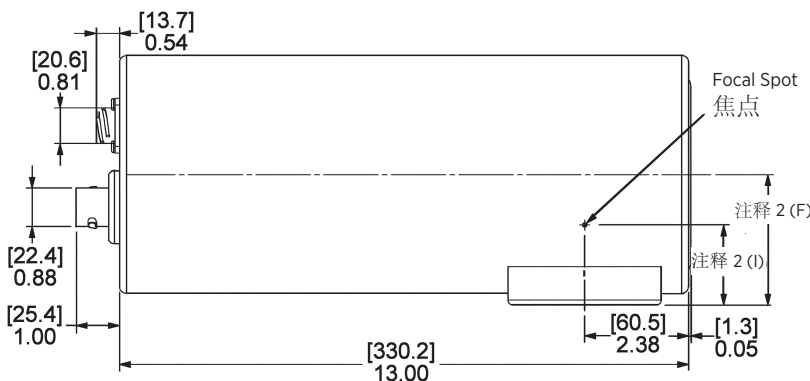
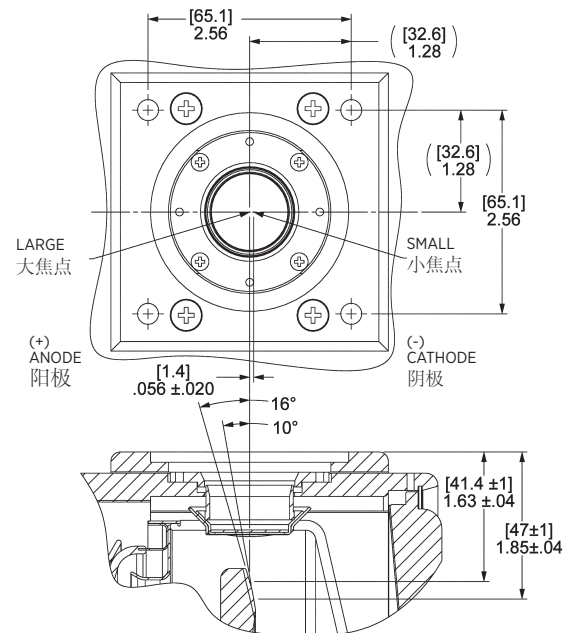
扩展端口轴套
DIM. F = 3.20 INCHES [81.3mm]
DIM. I = 参考图画

Note: Dimensions in [mm] Inches
注释: 尺寸 (英寸)

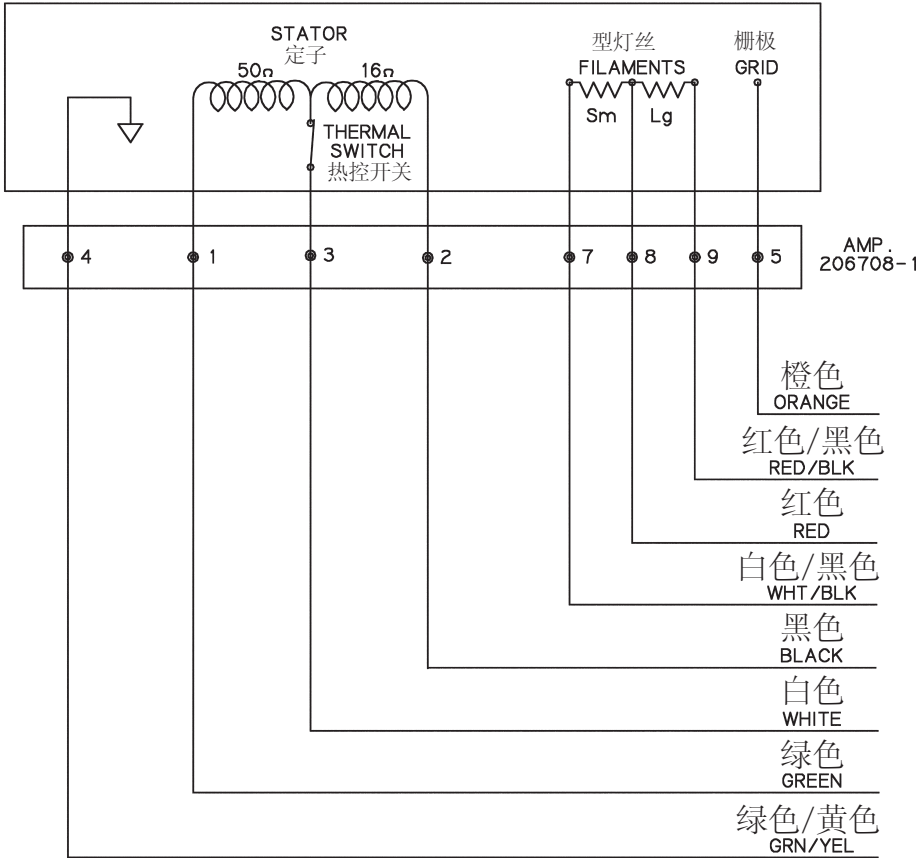
BIANGULAR INSERTS
双角管芯



FRONT VIEW
看前部



Stator Ratings and Characteristics
定子额定值及特征



Wire Color 导线颜色	Description 描述
1 Green 绿色	Phase Shift 相移
2 Black 黑色	Phase 相
3 White 白色	Common 公共
4 Green/Yellow 绿色/黄色	Housing Ground 管套接地线
5 Orange 橙色	Grid 栅极
7 White/Black 黑/白	Small Filament 小型灯丝
8 Red 红色	Common Filament 普通灯丝
9 Red/Black 红色/黑色	Large Filament 大型灯丝

“STD” Stators	“STD” 定子	
Black/White	黑色—白色	16 Ω
Black/Green	黑色—绿色	66 Ω
Green/White	绿色—白色	50 Ω
180 Hz Cap	180 Hz 电容	6 μF
60 Hz Cap	60 Hz 电容	30 μF

Stator Drive Frequency 定子驱动频率	RPM
50 Hz	2800 - 3000
60 Hz	3400 - 3600
150 Hz	8500 - 9000
180 Hz	9500 - 10,800

Stator Power:
Time to full speed of the anode is a function of the power rating of the “starter” and the weight/diameter of the anode. All Varex Imaging stator types are rated for regular speed and high speed starters. Time to full speed of 71mm and 77mm anode series tubes is between 1.3 and 2.0 seconds.

Immediately following high speed anode rotation, the rotor speed must be reduced to 4000 r/min or less within 10 seconds using a suitable dynamic braking device.

No more than two high speed starts per minute are permissible.

Starter:	Start	Run
50/60 Hz	115 VAC	45 VAC
150/180 Hz	230 VAC	90 VAC

NOTE:
For non gridded operation connect Grid Pin (Pin 5) to Filament Common (Pin 8).

定子功率:
阳极达到全速的时间是“启动器”的额定功率以及阳极重量和直径的函数。万睿视影像所有型号的定子都按常速和高速启动器进行了检定。71mm和77mm阳极系列管达到全速的时间在1.3到2.0秒之间。

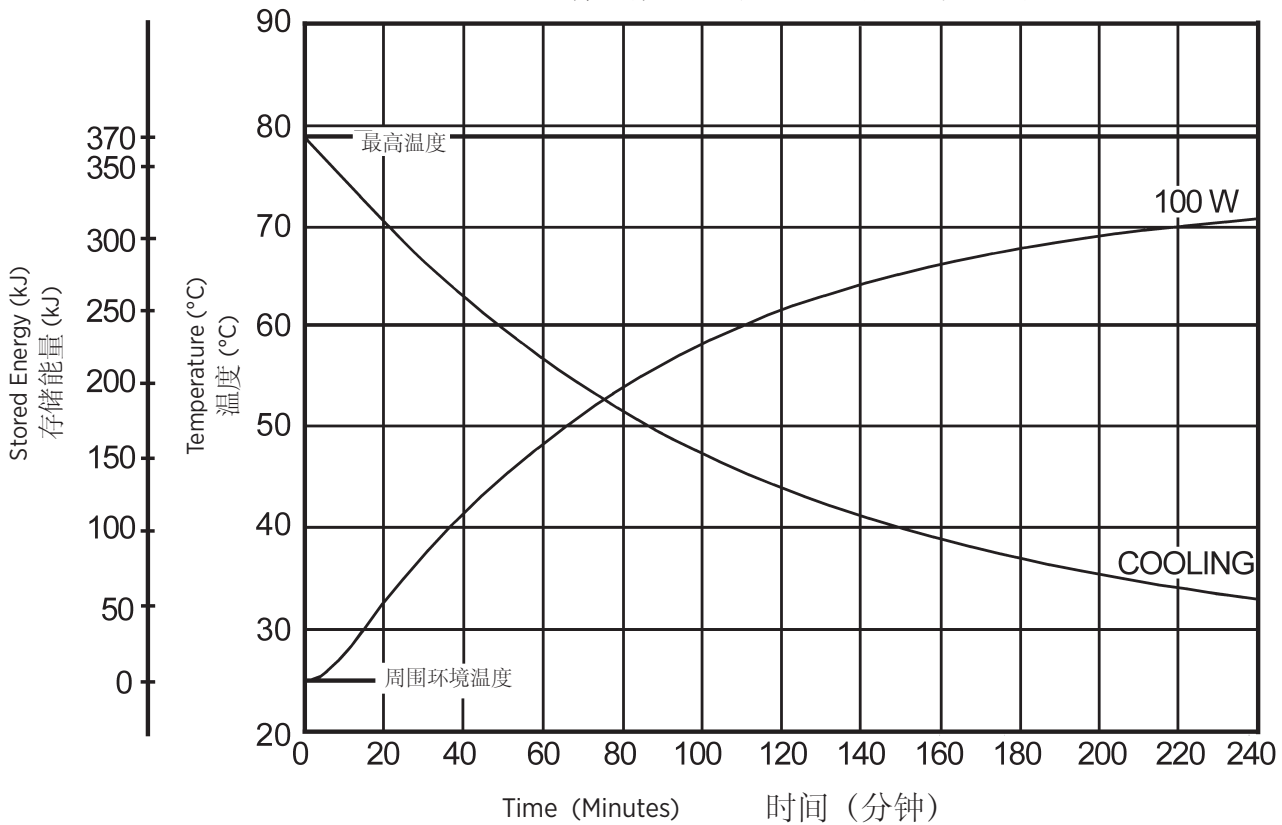
高速阳极旋转后，转子的速度必须立即下降到4000转/分钟，或使用合适的电动制动装置在10秒内减速。

每分钟不允许有两次以上的高速启动。

启动器:	启动	运行
50/60 Hz	115 VAC	45 VAC
150/180 Hz	230 VAC	90 VAC

注释:
对于非栅极化操作，请将栅极针（针5）与普通灯丝（针8）连接。

X-Ray Tube Assembly Heating and Cooling Curves
X 射线管汇编热化/冷却的曲线



Note:
Heat inputs into housing include tube power, filament power, and stator power. Heating curves based on no restrictions of natural convection around tube housing assembly.

注释:
向管套的热量输入包括管功率、灯丝功率和定子功率。加热曲线以管套组件周围无自然对流的限制为根据。

