



Note: Document originally drafted in the English language.
注释：文件最初用英语起草。

Product Description

The B-180H housing is designed for Varex Imaging rotating Anode inserts having 133 mm (5.253 inch) diameter targets.

IEC Classification Class 1

Weight, Approximate:
Housing 28.6 kg (63.0 lbs)

Stator Cord 0.9 m (3 ft)

Mounting Port Plate or Trunnion

产品说明

B-180H 管套适用于具有 133 mm (5.253 in.) 直径靶盘的万睿视影像旋转阳极管芯。

IEC 分级： 1 类

近似重量：
管套 28.6 kg (63.0 lbs)

定子电缆 0.9 m (3 ft)

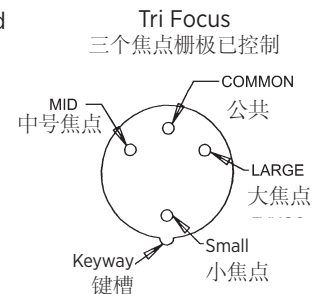
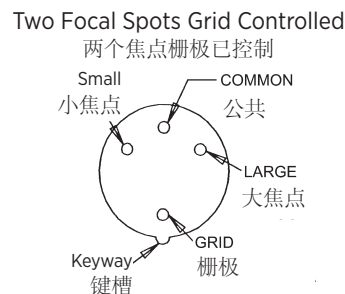
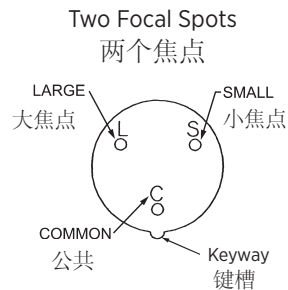
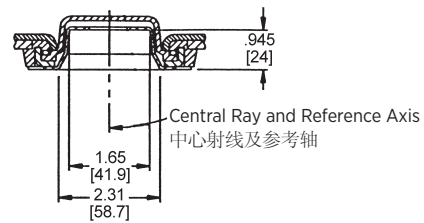
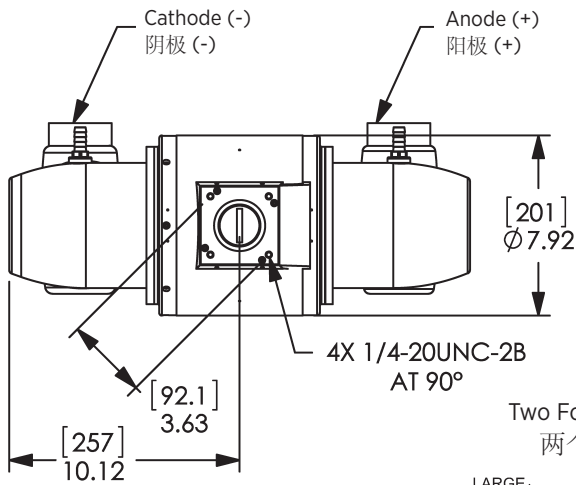
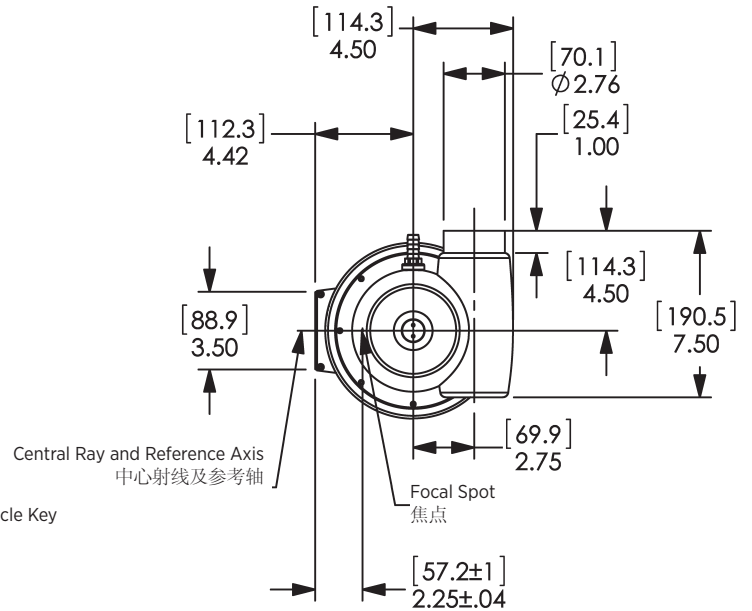
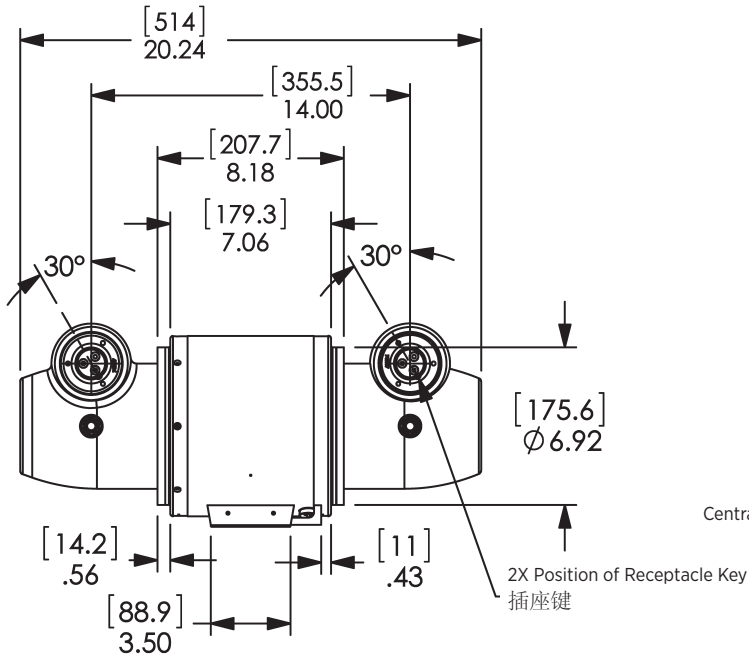
安装 端口或管箍

Product Description	
Nominal X-ray Tube Voltage	150kV
Maximum Cathode to Ground	75 kV
Maximum Anode to Ground	75 kV
Grid to Cathode (if applicable)	-4 kV
Grid Control Voltages	
Typical Bias Voltage for Cutoff at 125 kV	-3600 Vdc
Grid Voltage for Exposure	0 Vdc
Maximum X-ray Tube Assembly Heat Content	
.....	1,482 kJ (2,000 kHU)
Nominal Continuous Input Power (max. housing temperature 78°C)	
without HE-100	250 W
with HE-100	1,130 W
X-Ray Tube Assembly	
Permanent Filtration	1.0mm Al IEC 60522
Loading Factors for Leakage Radiation	
	150 kV, 7.2 mA
High Voltage Cable Receptacles	
	Per IEC 60526
Temperature Limits for Storage and Transport ...	
	-20°C to +75°C
Humidity	
	+10% to +90%
Atmospheric Pressure Range	
	70 kPa to 106 kPa
Thermal Switch	
	Normally Closed
Open	76.7°C ±2.8°C (170°F ±5°F)
	3A @ 120Vac or 30 Vdc max.
X-Ray Tube Assembly (Complies to)	
	IEC 60601-2-28

产品说明	
X 射线管的标称管电压	150 kV
阴极与地线的最高电压	75 kV
阳极与地线的最高电压	75 kV
栅极与阴极的电压 (如果适用)	-4 kV
栅极控制电压	
125 kV 切断时的典型偏压	-3600 Vdc
曝光的栅极电压	0 Vdc
最大 X 射线管组件热容量	
	1,482 kJ (2,000 kHU)
连续定格入力電力 (最大管套温度 78°C)	
无风扇	250 W
配 HE-100	1,130 W
X 射线管组件	
固有滤过	1.0mm Al IEC 60522
泄漏测试条件	
	150 kV, 7.2 mA
高压电缆插座	
	IEC 60526
存储与运输温度限值	
	-20°C 到 +75°C
湿度	
	+10% 到 +90%
大气压范围	
	70 kPa 到 106 kPa
热控开关	
	正常闭合
打开	76.7°C ±2.8°C (170°F ±5°F)
	3A @ 120 Vac 或最大 30 Vdc max.
X 射线管组件 (符合)	
	IEC 60601-2-28

Dimensions are for Reference only
维度是供仅参考

Note: Dimensions in Inches [mm]
注: 维度在英寸 [mm]



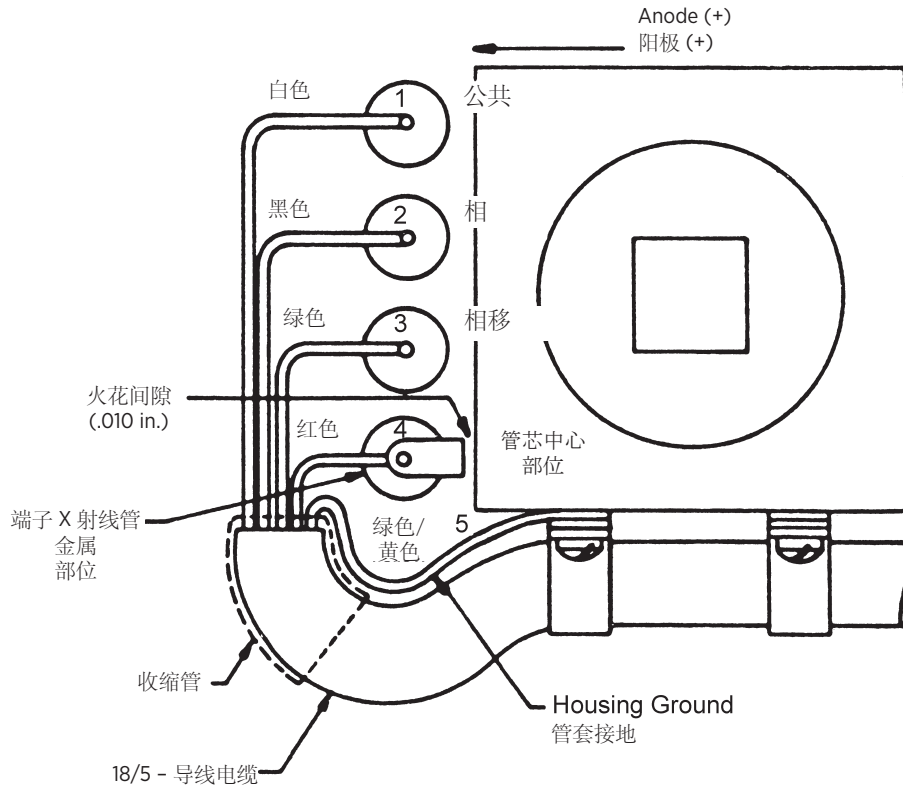
Note: B-180H

- Reference dimensions are for information purposes and are not required for inspection
- Aperture size optional:
0.937 Sq. In. 1.250 Sq. In.
- Cable receptacles
2 1/2 -20 UNF -2B thread

注释: B-180H

- 基准尺寸
用于信息的目的, 不需要检查
- 可选的孔径尺寸:
0.937 Sq. (2.38 cm)
1.250 Sq. (3.18 cm)
- 高压电缆插座
2 1/2 -20 统一标准2B细牙螺纹

Stator Ratings and Characteristics 定子额定值及特征



Wire Color 导线颜色	Description 描述
1 White 白	Common 公共
2 Black 黑	Phase 相
3 Green 绿	Phase Shift 相移
4 Red 红	Center section 管芯中心区
5 Green/Yellow 绿/黄	Housing Ground 管套接地线

"STD" Stators "STD" 定子		
Black - White	黑/白	16 Ω
Black - Green	黑/绿	66 Ω
Green - White	绿/白	50 Ω
180 Hz Cap	180 Hz 电容	6 μF
60 Hz Cap	60 Hz 电容	30 μF
"P" Stators "P" 定子		
Black - White	黑/白	16 Ω
Black - Green	黑/绿	30 Ω
Green - White	绿/白	14 Ω
180 Hz Cap	180 Hz 电容	10 μF

Stator Drive Frequency 定子驱动频率	RPM
50 Hz	2800 - 3000
60 Hz	3400 - 3600
150 Hz	8500 - 9000
180 Hz	9500 - 10,800

Stator Power:

Time to full speed of the anode is a function of the power rating of the "starter" and the weight / diameter of the anode. All Varex Imaging stator types are rated for regular speed and high speed starters. Time to full speed of 133 mm (5.25 inch) anode series tubes is between 5 and 7 seconds.

Immediately following high speed anode rotation, the rotor speed must be reduced to 4000 r/min or less within 10 seconds using a suitable dynamic braking device.

No more than two high speed starts per minute are permissible. The starting voltage must never exceed 600 volts rms.

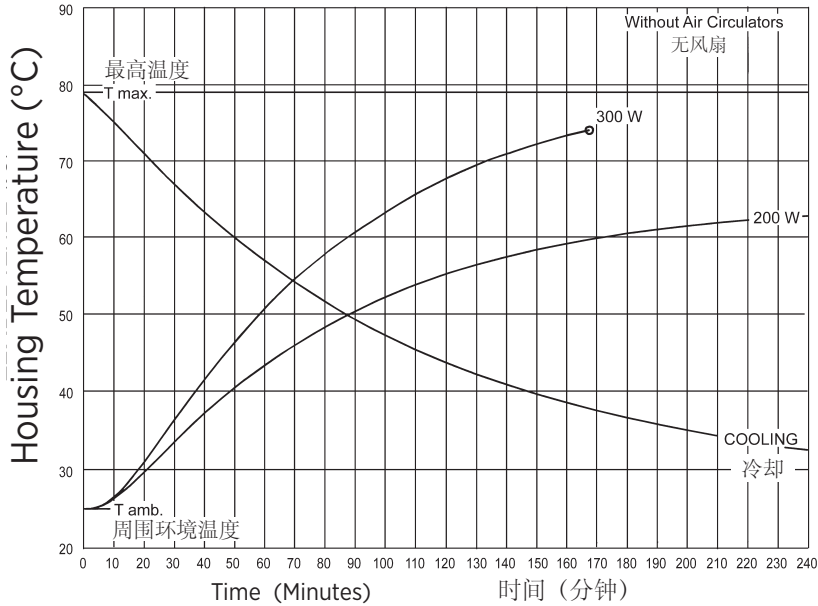
定子功率:

阳极达到全速的时间是“起启动器”的额定功率以及阳极重量和直径的函数。万睿视影像所有型号的定子都按常速和高速启动器进行了检定。133 mm (5.25in.) 阳极系列管达到全速的时间在 5 到 7 秒之间。

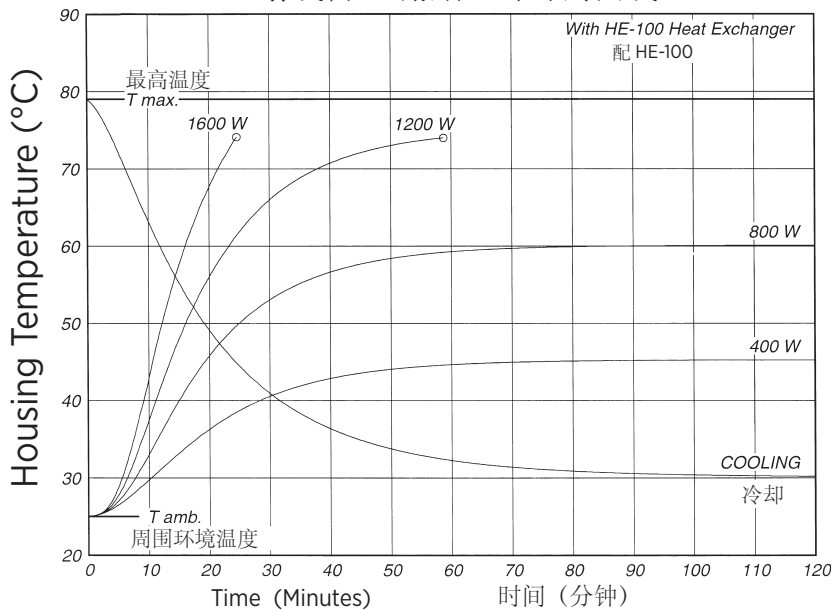
高速阳极旋转后，转子的速度必须立即下降到 4000 转/分钟，或使用合适的电动制动装置在 10 秒内减速。

每分钟不允许有两次以上的高速启动。启动电压决不能高于 600 伏 rms。

X 射线管汇编热化/冷却的曲线



X 射线管汇编热化/冷却的曲线



Caution:

Housings configured with heat exchangers having long hoses (> 5 ft or 1.5 m) are not configured for operation separate from the associated heat exchanger. In such cases, the tube unit must not be operated unless properly coupled to the heat exchanger. Reference the specific heat exchanger's product data sheet for the associated cooling curves.

Note:

Heat inputs into housing include tube power, filament power, and stator power. Heating curves based on no restrictions of natural convection around tube housing assembly.

注意:

配有油管长度大于5英尺或1.5米的热交换器的管套不能在不配备相匹配的热交换器的情况下去运行. 在这种情况下,球管不能正常运行,除非配备热交换器. 相关的冷却曲线可以参考特定的热交换器的产品数据表。

注释:

向管套的热量输入包括管功率、灯丝功率和定子功率。加热曲线以管套组件周围无自然对流的限制为根据。

