



Note: Document originally drafted in the English language.  
注释：文件最初用英语起草。

### Product Description

The B-150H housing is designed for Varex Imaging rotating anode inserts having 102mm (4 inch) diameter targets.

IEC Classification ..... Class 1

Weight, Approximate:

Housing ..... 19.5 kg (43 lbs)

with Trunnion Rings ..... 22.9 kg (50.5 lbs)

with Trunnion Rings and Fan Assembly  
..... 24.1 kg (53.2 lbs)

Mounting ..... Port or Trunnion

Stator Cord ..... 3 Feet (0.9 m)

### 产品说明

B-150H 管套适用于具有 102mm (4 in.) 直径靶盘的瓦里安旋转阳极管芯。

IEC 分级： ..... 1 类

近似重量：

管套 ..... 19.5 kg (43 lbs)

含有管套环 ..... 22.9 kg (50.5 lbs)

含有管套环和风扇组件 ..... 24.1 kg (53.2 lbs)

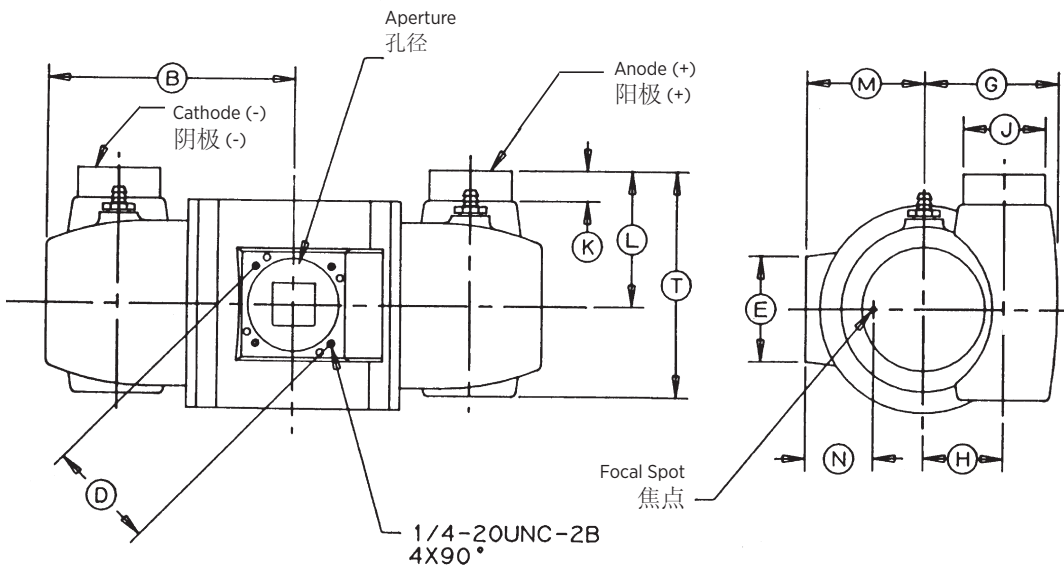
安装 ..... 管箍或端口

定子电缆 ..... 0.9 m (3 ft)

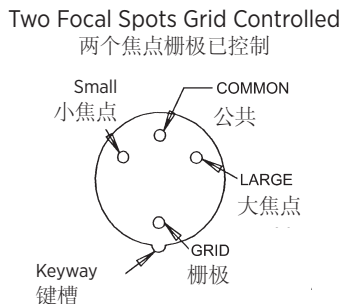
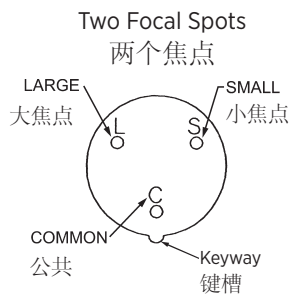
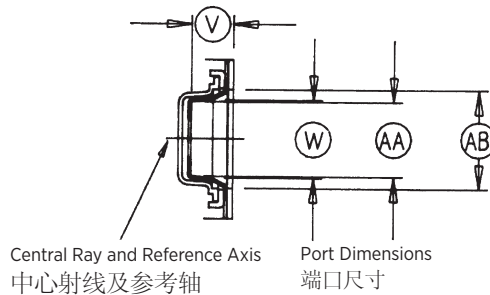
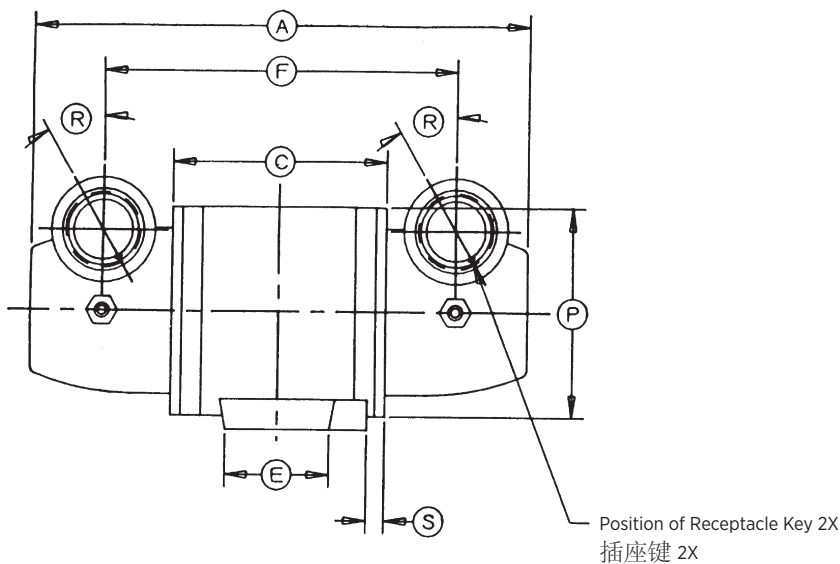
<b>Product Description</b>	
Nominal X-ray Tube Voltage .....	150 kV
Maximum Cathode to Ground .....	75 kV
Maximum Anode to Ground .....	75 kV
Grid to Cathode (If applicable) .....	-4 kV
<b>Grid Control Voltages</b>	
Typical Bias Voltage for Cutoff at 150 kV .....	-3600 Vdc
Grid Voltage for Exposure .....	0 Vdc
<b>Maximum X-ray Tube Assembly Heat Content</b>	
.....	1,111 kJ (1,500 kHU)
<b>Nominal Continuous Input Power</b> (max. housing temperature 78°C)	
without air circulator .....	200 Watts (270 HU/sec)
with air circulator .....	400 Watts (540 HU/sec)
<b>X-Ray Tube Assembly</b>	
Permanent Filtration .....	0.7mm Al/75 kV IEC 60522
<b>Loading Factors for Leakage Radiation</b> .... 150 kV, 4.0 mA	
<b>Ambient Air Temperature Limits for Operation</b>	
.....	5°C to 40°C
<b>Temperature Limits for Storage and Transport</b>	
.....	-20°C to +75°C
Humidity .....	+10% to +90%
Atmospheric Pressure Range .....	70 kPa to 106 kPa
<b>X-Ray Tube Assembly (Complies to)</b> .....	
	IEC 60601-2-28

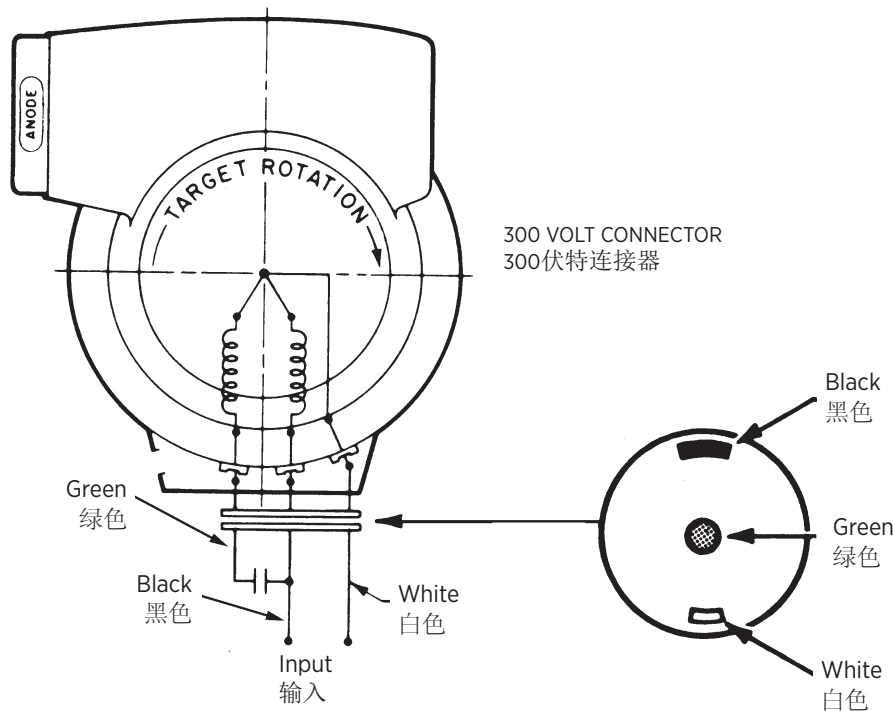
<b>产品说明</b>	
X 射线管的标称管电压 .....	150 kV
阴极与地线的最高电压 .....	75 kV
阳极与地线的最高电压 .....	75 kV
栅极与阴极的电压(如果适用) .....	-4 kV
<b>栅极控制电压 150 kV切断时的典型偏压</b>	
.....	-3600 Vdc
曝光的栅极电压 .....	0 Vdc
<b>最大 X 射线管组件热容量</b> .....	
	1,111 kJ (1,500 kHU)
<b>最大连续散热</b> (最大管套温度 78°C)	
无风扇 .....	200 W (270 HU/sec)
配风扇 .....	400 W (540 HU/sec)
<b>X 射线管组件</b>	
固有滤过 .....	0.7mm Al/75 kV IEC 60522
<b>泄漏测试条件</b> .....	
	150 kV, 4.0 mA
<b>环境气温工作限值</b> .....	
	5°C ~40°C
<b>存储与运输温度限值</b> .....	
	-20°C ~ +75°C
湿度 .....	+10% ~ +90%
大气压范围 .....	70 kPa ~ 106 kPa
<b>X 射线管组件 (符合)</b> .....	
	IEC 60601-2-28

Dimensions are for Reference only  
维度是供仅参考



DIMENSIONAL DATA		
	INCHES	MILLIMETERS
A	16.625	422.3
B	8.312	211.1
C	7.180	182.4
D	3.625	92.1
E	3.500	88.9
F	11.828	300.4
G	4.31	112.5
H	2.681	68.1
J	2.750	69.9
K	1.000	25.4
L	4.500	114.3
M	3.920	99.6
N	2.250	57.2
P	6.915	175.6
R	30°	30°
S	.593	15.1
T	7.500	190.5
V	.953	24.2
W	1.795	45.6
AA	1.689	42.9
AB	2.245	57.1





Stator Drive Frequency 定子驱动频率	RPM
50 Hz	2800 - 3000
60 Hz	3400 - 3600
150 Hz	8500 - 9000
180 Hz	9500 - 10,800

TO ENSURE PROPER TARGET ROTATION, EACH STATOR CORD IS EQUIPPED WITH A SPECIAL TWIST-LOCKING CONNECTOR AND A MATING CONNECTOR.

为确保靶面能够正常的旋转, 每个定子线配有一个特制的防脱接头和一个与之配套的接头。

"R" Stators	"R" 定子	
Black - White	黑/白	16 Ω
Black - Green	黑/绿	66 Ω
Green - White	绿/白	50 Ω
180 Hz Cap	180 Hz 电容	6 μF
60 Hz Cap	60 Hz 电容	30 μF
"Q" Stators	"Q" 定子	
Black - White	黑/白	6 Ω
Black - Green	黑/绿	17 Ω
Green - White	黑/绿	11 Ω
180 Hz Cap	180 Hz 电容	18-21 μF
60 Hz Cap	60 Hz 电容	65 μF
"P" Stators	"P" 定子	
Black - White	黑/白	16 Ω
Black - Green	黑/绿	30 Ω
Green - White	绿/白	14 Ω
180 Hz Cap	180 Hz 电容	10 μF
"S" Stators	"S" 定子	
Black - White	黑/白	16 Ω
Black - Green	黑/绿	51 Ω
Green - White	绿/白	35 Ω
180 Hz Cap	180 Hz 电容	5 μF

**Stator Power:**  
Time to full speed of the anode is a function of the power rating of the "starter" and the weight / diameter of the anode. All Varex Imaging stator types are rated for regular speed and high speed starters. Time to full speed of 102 mm (4 inch) anode series tubes is between 1.3 and 2.0 seconds.

Immediately following high speed anode rotation, the rotor speed must be reduced to 4000 r/min or less within 10 seconds using a suitable dynamic braking device.

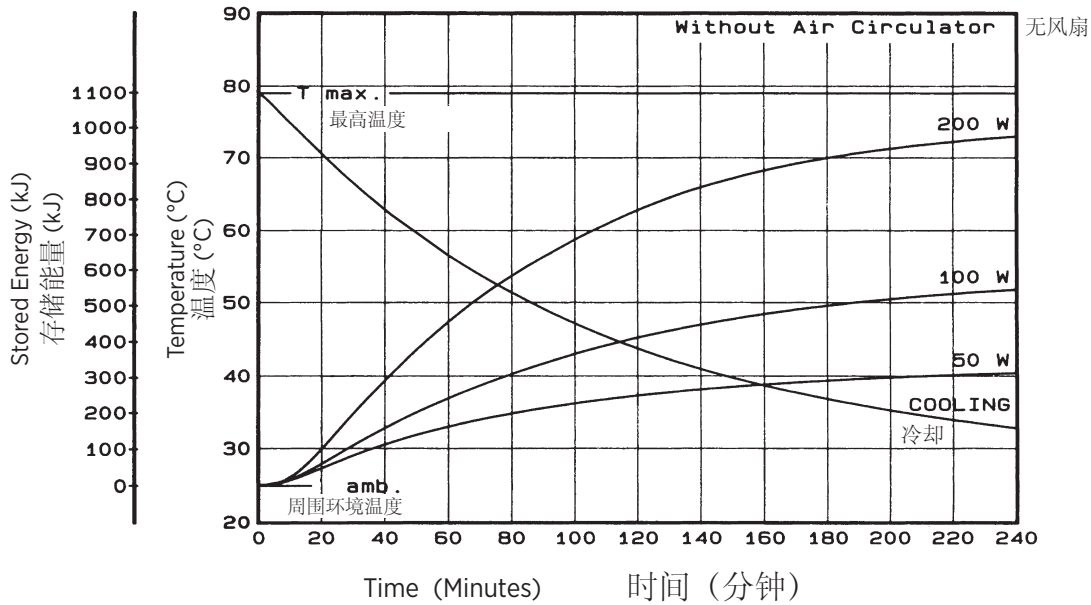
No more than two high speed starts per minute are permissible. The starting voltage must never exceed 500 volts rms.

**定子功率:**  
阳极达到全速的时间是“起启动器”的额定功率以及阳极重量和直径的函数。万睿视影像所有型号的定子都按常速和高速启动器进行了检定。102 mm (4in.) 阳极系列管达到全速的时间在 1.3 到 2.0 秒之间。

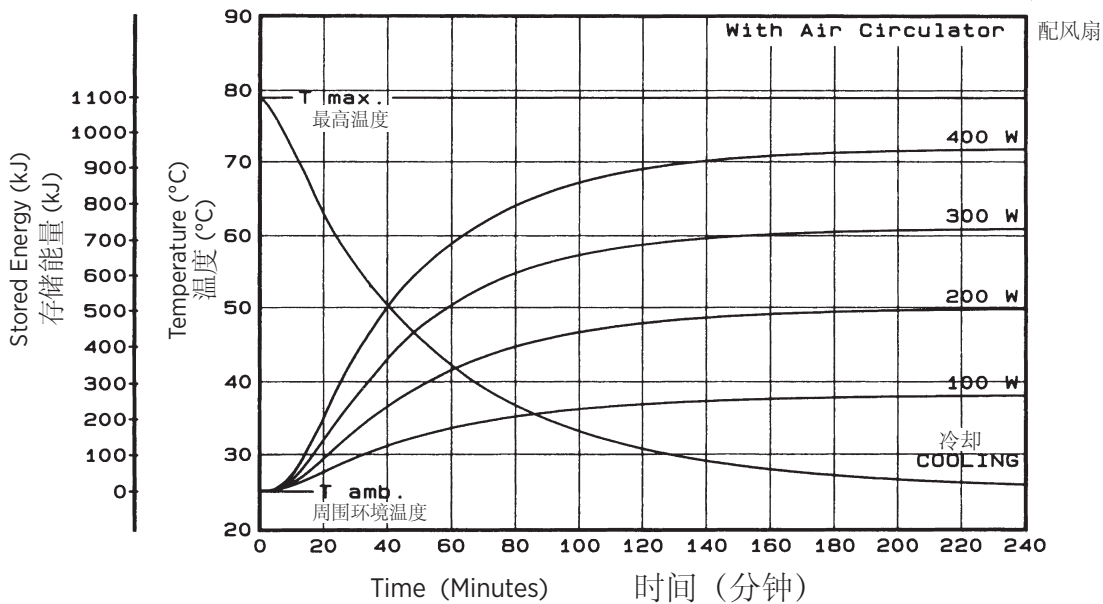
高速阳极旋转后, 转子的速度必须立即下降到 4000 转/分钟, 或使用合适的电动制动装置在 10 秒内减速。

每分钟不允许有两次以上的高速启动。启动电压决不能高于 500 伏 rms。

Tube Housing Assembly Heating and Cooling  
管套组件加热与冷却



Tube Housing Assembly Heating and Cooling  
管套组件加热与冷却



**Note:**  
 1. Heat inputs into housing include tube power, filament power, and stator power.  
 2. Heating curves based on no restrictions of natural convection around tube housing assembly.

**注释:**  
 1. 向管套的热量输入包括管功率、灯丝功率和定子功率。  
 2. 加热曲线以管套组件周围无自然对流的限制为根据。

