



Note: Document originally drafted in the English language.  
注释：文件最初用英语起草。

**Product Description**

The B-100 housing is designed for Varex Imaging rotating Anode inserts having 71 mm (2.8 inches) and 80 mm (3.0 inches) diameter targets.

IEC Classification ..... Class 1

Weight, Approximate:  
Housing ..... 17.5 kg (38.5 lbs)

Stator Cord ..... 0.9m (3 Ft)

Mounting ..... Trunnion or Port Plate

**产品说明**

B-100 管套适用于具有 71 mm (2.8 in.) 并且 80 mm (3 in.) 直径靶盘的 万睿视影像旋转阳极管芯。

IEC 分级 ..... 1 类

近似重量  
管套 ..... 17.5 kg (38.5 lbs)

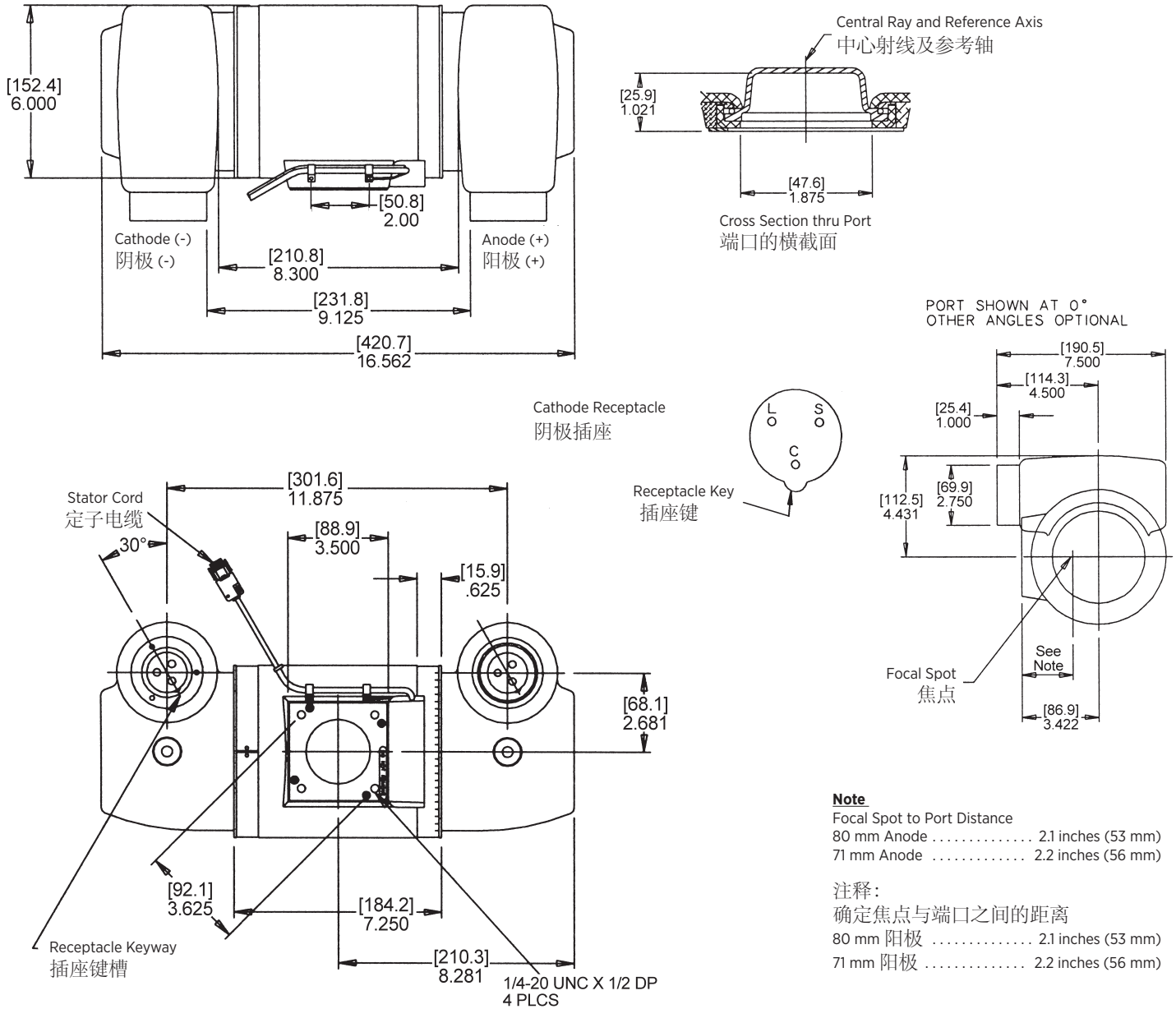
定子电缆 ..... 0.9m (3 ft)

安装 ..... 管箍或端口

<b>Product Description</b>	
Nominal X-ray Tube Voltage .....	150 kV
Maximum Cathode to Ground .....	75 kV
Maximum Anode to Ground .....	75 kV
Grid to Cathode (if applicable) .....	-4 kV
<b>Grid Control Voltages</b>	
Typical Bias Voltage for Cutoff at 150 kV .....	-3600 Vdc
Grid Voltage for Exposure .....	0 Vdc
Housing Heat Storage Capacity .....	926 kJ (1,250 kHU)
<b>Nominal Continuous Input Power</b>	
without air circulator	
.....	185 Watts (250 HU/sec) IEC 60613:2010
with air circulator	
.....	370 Watts (500 HU/sec) IEC 60613:2010
<b>X-Ray Tube Assembly</b>	
Permanent Filtration ...	0.7 mm Al/75 kV IEC 60522/1999
Leakage Technique Factors .....	150 kV, 3.3 mA
<b>Temperature Limits for Storage and Transport</b>	
.....	-20°C to +75°C
Humidity .....	+10% to +90%
Atmospheric Pressure Range .....	70 kPa to 106 kPa
<b>Thermal Switch</b> .....	
Normally Closed ...	Opens @ 85°C ±3.9°C (185°F ±7°F)

<b>产品说明</b>	
X 射线管的标称管电压 .....	150 kV
阴极与地线的最高电压 .....	75 kV
阳极与地线的最高电压 .....	75 kV
栅极与阴极的电压 (如果适用) .....	-4 kV
<b>栅极控制电压 150 kV切断时的典型偏压</b>	
.....	-3600 Vdc
曝光的栅极电压 .....	0 Vdc
管套热容量 .....	926 kJ (1,250 kHU)
<b>标称持续输入功率</b>	
无风扇 .....	185 W (250 HU/sec) IEC 60613:2010
配风扇 .....	370 W (500 HU/sec) IEC 60613:2010
<b>X 射线管组件</b>	
固有滤过 .....	0.7 mm Al/75 kV IEC 60522/1999
泄漏测试条件 .....	150 kV, 3.3 mA
存储与运输温度限值 .....	-20°C 到 +75°C
湿度 .....	10% 到 90%
大气压范围 .....	70 kPa 到 106 kPa
热控开关 .....	7A @ 120Vac 或 30 Vdc max
正常闭合 .....	打开 85°C ± 3.9°C (185°F ± 7°F)

**Note:** Dimensions in [mm] Inches  
注释: 尺寸 (英寸)



Dimensions are for Reference only  
维度是供仅供参考

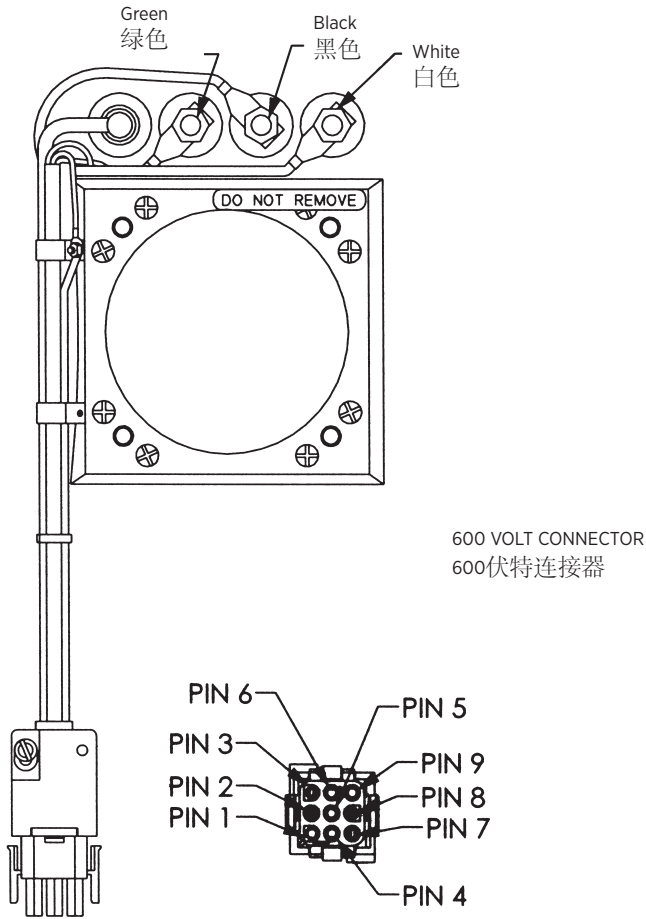
**Note:**

- Reference dimensions are for information purposes and are not required for inspection.
- Aperture size optional  
0.937 Sq. in. 1.250 Sq. in.
- Federal Standard Cable Receptacles:  
2 1/2 -20 UNF -2B THREAD

**注释:**

- 基准尺寸  
用于信息的目的, 不需要检查
- 可选的孔径尺寸:  
0.937 平方英寸 1.250 平方英寸
- 联邦标准电缆  
插座: 2 1/2 -20 统一标准2B细牙螺纹

Stator Ratings and Characteristics  
定子额定值及特征



Wire Color 导线颜色	Description 描述
1 Black 黑色	Main 主要
2 White 白色	Common 公共
3 Green 绿色	Phase 相
4 Black 黑色	Thermo Switch 热控开关
5 N/C	
6 Black 黑色	Thermo Switch 热控开关
7 Green/Yellow 绿色/黄色	Housing Ground 管套接地线
8 N/C	
9 Shield 护罩	Shield Grounding 盾地线

“R” Stators 定子 “R”		
Black/White	黑色 — 白色	16 Ω
Black/Green	黑色 — 绿色	66 Ω
Green/White	绿色 — 白色	50 Ω
180 Hz Cap	180 Hz 电容	6 μF
60 Hz Cap	60 Hz 电容	30 μF
“P” Stators 定子 “P”		
Black/White	黑色 — 白色	16 Ω
Black/Green	黑色 — 绿色	30 Ω
Green/White	绿色 — 白色	14 Ω
180 Hz Cap	180 Hz 电容	10 μF

To ensure proper target rotation, each stator cord is equipped with a special twist-locking connector and a mating connector.

**Stator Power:**  
Time to full speed of the anode is a function of the power rating of the “starter” and the weight / diameter of the anode. All Varex Imaging stator types are rated for regular speed and high speed starters. Time to full speed for 71mm (2.8 inch) and 80mm (3.0 inch) anode series tubes is between 1.3 and 2.0 seconds.

Immediately following high speed anode rotation, the rotor speed must be reduced to 4000 r/min or less within 10 seconds using a suitable dynamic braking device.

No more than two high speed starts per minute are permissible. The starting voltage must never exceed 500 volts rms.

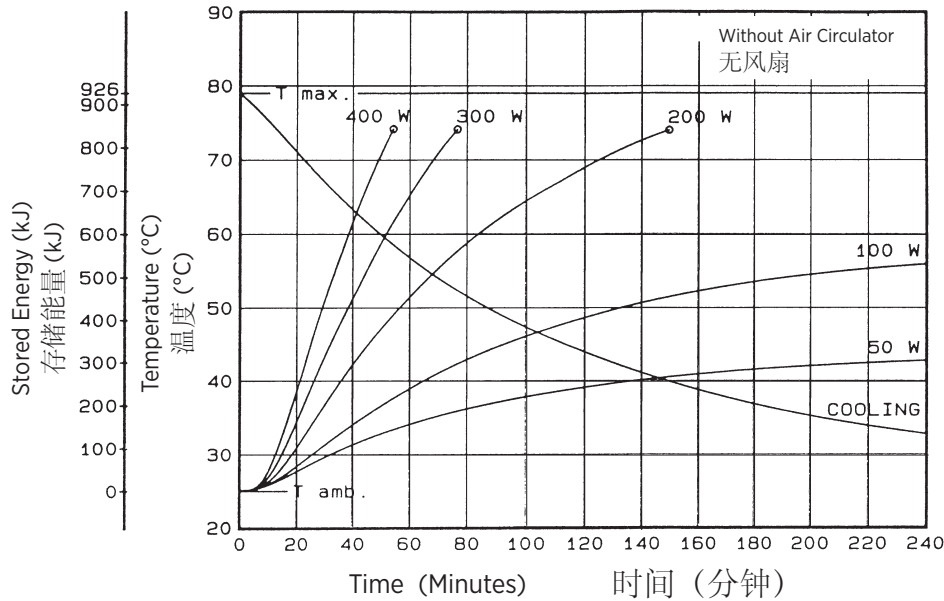
为确保靶面能够正常的旋转,每个定子线配有一个特制的防脱接头和一个与之配套的接头。

定子功率:  
阳极达到全速的时间是“起启动器”的额定功率以及阳极重量和直径的函数。万容视影像所有型号的定子都按常速和高速启动器进行了检定。71mm (2.8 inch) 和80mm (3.0 inch) 阳极系列管达到全速的时间在1.3到2.0秒之间。

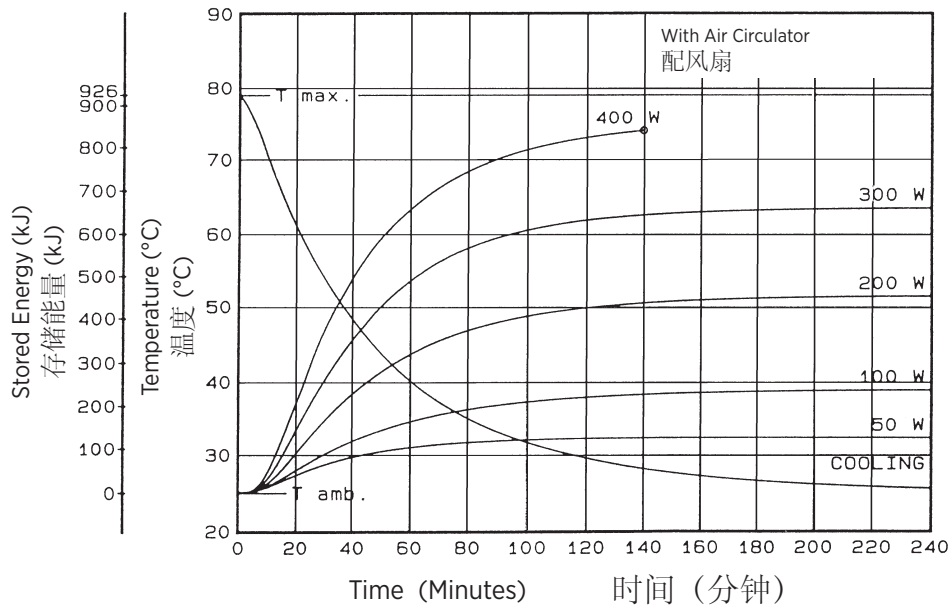
高速阳极旋转后,转子的速度必须立即下降到4000转/分钟,或使用合适的电动制动装置在10秒内减速。

每分钟不允许有两次以上的高速启动。启动电压决不能高于 500 伏 rms。

Tube Housing Assembly Heating and Cooling  
管套组件加热与冷却



Tube Housing Assembly Heating and Cooling  
管套组件加热与冷却



**Note:**  
Heat inputs into housing include tube power, filament power, and stator power. Heating curves based on no restrictions of natural convection around tube housing assembly.

**注释:**  
向管套的热量输入包括管功率、灯丝功率和定子功率。加热曲线以管套组件周围无自然对流的限制为根据。

